

# D300 Series

## Digital pH/ORP Controller Analyzer



- ✓ Large LCD display
- ✓ Intelligent menu operation
- ✓ Automatic calibration
- ✓ Manual + automatic temperature compensation
- ✓ Two (2) relays
- ✓ 4-20mA & RS485
- ✓ Multi-parameter display — simultaneously shows pH, ORP and temperature
- ✓ Password protection

### High Performance Industrial Controller Analyzer

The ProCon® D300 series is an extremely robust industrial pH/ORP controller analyzer.

The modular design is both easy to install and operate, providing first measurement values in under one minute.

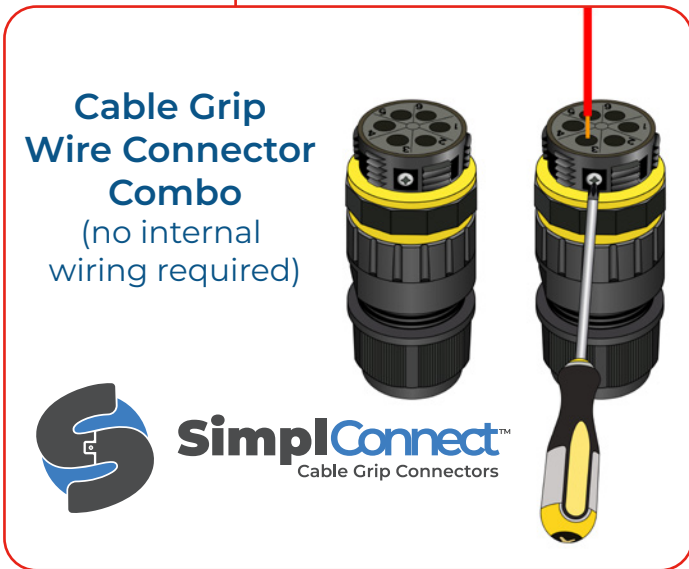
The D300 is packed with all the extra features included, no need to pay extra for relays, 4-20mA or RS485 outputs.

The SimpliCal® feature makes calibrating your sensor easier and quicker than ever before.

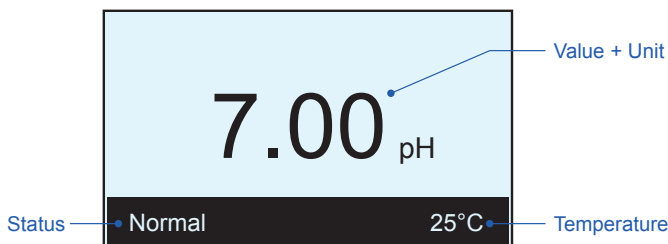
The cost-saving, quick and easy setup is done through our user-friendly step-by-step on-screen menu.

### Enclosure

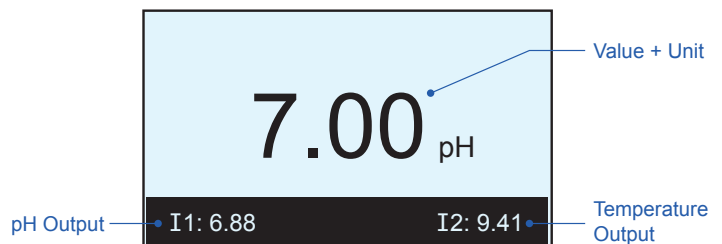
The D300 is packaged in a rugged polycarbonate enclosure making it ideally suited for heavy-duty applications. A mounting kit is included for surface and panel mounting. Pipe mounting kits are available.



Main Display



pH Mode



# D300 Series

## Digital pH/ORP Controller Analyzer



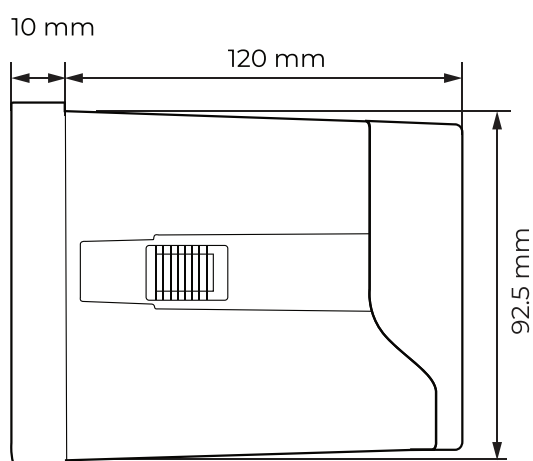
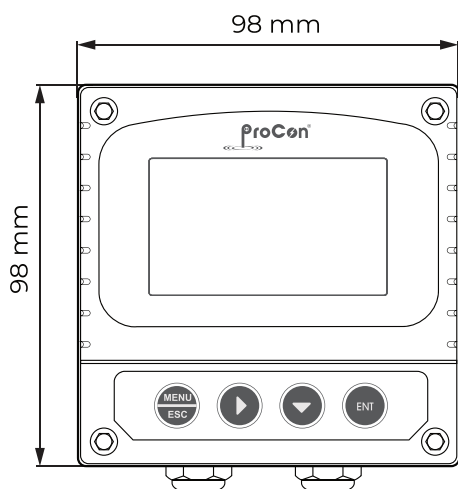
Corrosion-Free  
Instrumentation Equipment



### Technical Specifications

Measuring Range	pH: -2 – 16pH   ORP: -2000 – +2000mV
Unit	pH   mV
Resolution	pH: 0.001pH   ORP: 1mV
Basic Error	pH: 0.001pH   ORP: 1mV
Temperature Range	14 – 302°F   -10 – 150°C (Sensor Selection Dependant)
Temperature Resolution	0.18°F   0.1°C
Temperature Accuracy	±0.54°F   ±0.3°C
Temperature Compensation	Manual or Automatic
Stability	pH: 0.01pH/24h   ORP: 1mV/24h
Outputs	Two (2) 4–20mA   20–4mA   0–20mA
Communication	RS485 MODBUS RTU
Relay Control Contact	5A 240VAC   5A – 28VDC
Power Supply	9 – 36VDC (std)   85 – 265VAC   Power Consumption 3W
Working Temperature	14 – 140°F   -10 – 60°C
Relative Humidity	≤ 90%
Enclosure Rating	IP65
Weight	0.5kg
Dimensions	98 × 98 × 130mm
Installation Opening Size	93 X 93mm
Installation methods	Panel   Pipe   Wall

### Dimensions



# D300 Series Digital pH/ORP Controller Analyzer

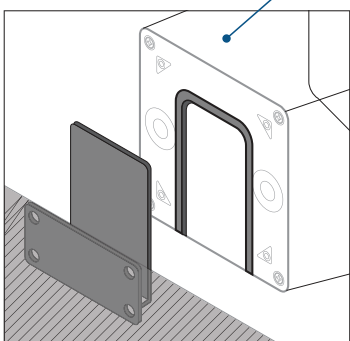
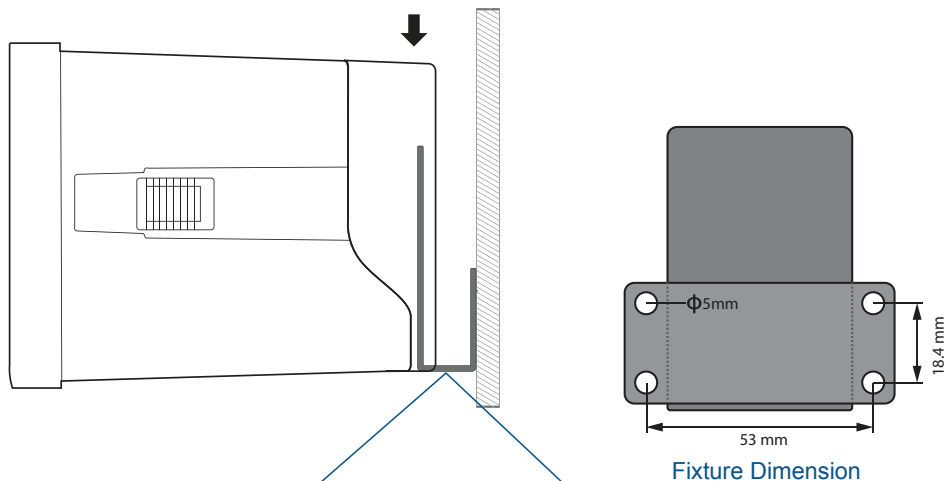


Corrosion-Free  
Instrumentation Equipment

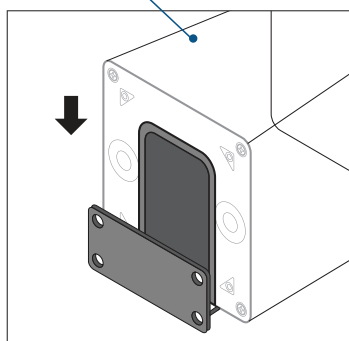


## Instrument Installation

### Wall Mounting

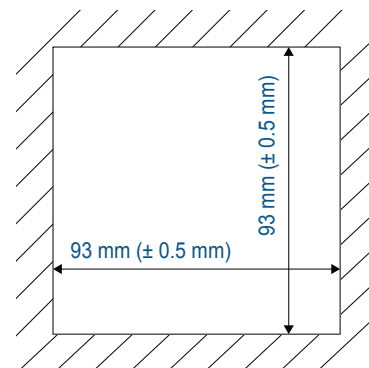


Install bracket on the wall first

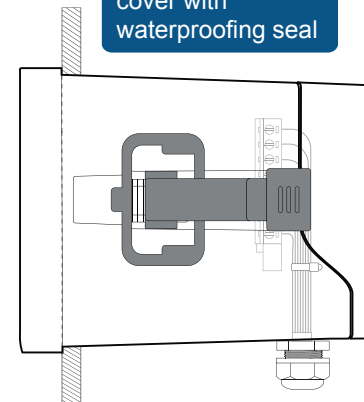


Insert into the fixture along the chute

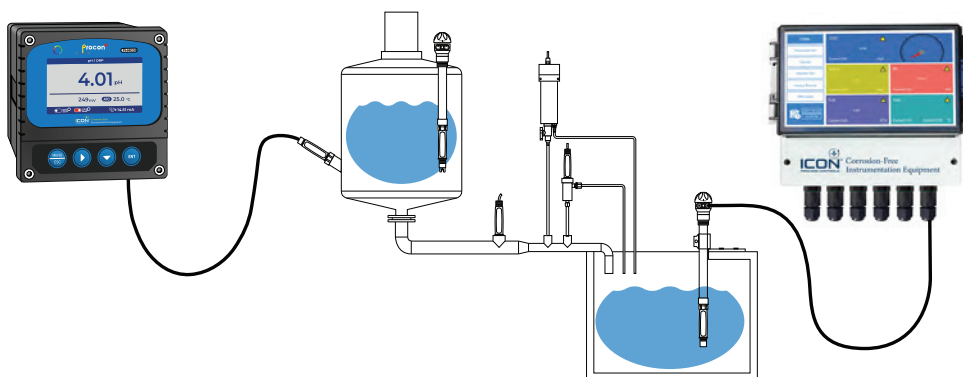
### Control Panel Installation



Installation of back cover with waterproofing seal



## Typical Application



# D300 Series

## Digital pH/ORP Controller Analyzer



Corrosion-Free Instrumentation Equipment



### Model Selection

D300 - **4** - D - **Y** - P - 0 (Single Display)

Power	Output	Power Cord	Sensor Type
<b>4:</b> 24VDC (std) <b>2:</b> 120VAC	<b>D:</b> 4-20mA + 2 Relays	<b>Y:</b> Yes <b>N:</b> No	<b>P:</b> pH/ORP