

# Rosemount™ Xi Advanced Electronics for Zirconium Oxide Flue Gas O<sub>2</sub> Probes



## Essential Instructions

Read this page before proceeding!

Emerson designs, manufactures, and tests its products to meet many national and international standards. Because these instruments are sophisticated technical products, you must properly install, use, and maintain them to ensure they continue to operate within their normal specifications. The following instructions must be adhered to and integrated into your safety program when installing, using, and maintaining Emerson's Rosemount products. Failure to follow the proper instructions may cause any one of the following situations to occur: loss of life, personal injury, property damage, damage to this instrument, and warranty invalidation.

- Read all instructions prior to installing, operating, and servicing the product.
- If you do not understand any of the instructions, contact your Emerson representative for clarification.
- Follow all warnings, cautions, and instructions marked on and supplied with the product.
- Inform and educate your personnel in the proper installation, operation, and maintenance of the product.
- Install your equipment as specified in the installation instructions of the appropriate instruction manual and per applicable local and national codes. Connect all products to the proper electrical and pressure sources.
- To ensure proper performance, use qualified personnel to install, operate, update, program, and maintain the product.
- When replacement parts are required, ensure that qualified people use replacement parts specified by Emerson. Unauthorized parts and procedures can affect the product's performance, place the safe operation of your process at risk, and VOID YOUR WARRANTY. Look-alike substitutions may result in fire, electrical hazards, or improper operation.
- Ensure that all equipment doors are closed and protective covers are in place, except when maintenance is being performed by qualified persons to prevent electrical shock and personal injury.

The information contained in this document is subject to change without notice.

## NOTICE

**The 375 Field Communicator must be upgraded to System Software 2.0 with Graphic License for operation with Xi Electronics. The AMS software must be upgraded to AMS 8.0 or above. Contact Emerson's Global Service Center (GSC) at 1-800-833-8314 to upgrade the 375 Field Communicator software to System Software 2.0 with Graphic License.**

## Preface

The purpose of this manual is to provide information concerning the components, functions, installation, and maintenance of the Xi Electronics.

Some sections may describe equipment not used in your configuration. You should become thoroughly familiar with the operation of this module before operating it. Read this instruction manual completely.

## Definitions

The following definitions apply to WARNINGS, CAUTIONS, and NOTICES found throughout this publication.

### **WARNING!**

Highlights an operation or maintenance procedure, condition, statement, etc. that if not strictly observed, could result in injury, death, or long-term health hazards of personnel.

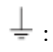



### **CAUTION!**

Highlights an operation or maintenance procedure, practice, condition, statement, etc. that if not strictly observed, could result in damage to or destruction of equipment or loss of effectiveness.

## NOTICE

Highlights an essential operating procedure, condition, or statement.

## Symbols

-  : Earth (ground) terminal
-  : Protective conduit or terminal
-  : Risk of electrical shock
-  : Warning: Refer to Instruction Manual

## NOTICE

The number in the lower right corner of each illustration in this publication is a manual illustration number. It is not a part number and is not related to the illustration in any technical manner.

## Overview

The Xi is specifically designed to control a zirconium oxide probe for measuring oxygen, usually the O<sub>2</sub> remaining from a combustion process. Call the Rosemount Customer Support Center (CSC) to get recommendations for other oxygen probes: 800 854 8257 (US and Canada).

The Xi electronics has several main functions:

1. **Heater Control:** The electronics receives a type K thermocouple input from an O<sub>2</sub> probe and switches power on and off to the probe's heater in order to maintain a temperature setpoint of 1357 °F (736 °C).
2. **Signal Conditioning:** The electronics receives the raw millivolt signal from the O<sub>2</sub> sensing cell and then linearizes and amplifies the signal to provide a linear 4-20 mA output signal used for recording or as in input into a DCS system for control purposes.
3. **Calibration:** A bottled calibration gas of known value is typically flowed into the probe's sensor to verify that it is reading correctly. If the signal is out of calibration, the calibration gas is used to adjust the 4-20 mA output signal. During calibration, the Xi prompts the technician to flow two calibration gases into the probe and, with the calibration gases flowing, automatically adjusts the O<sub>2</sub> signal. With the addition of a Single Probe Sequencer (SPS), the Xi electronics can also switch the calibration gases on and off.
4. **Diagnostics:** Multiple alarms are available for display. The alarm displays are intended to assist a technician in locating where an instrument problem may reside.

The electronics has been verified to operate the following probes:

- Westinghouse 218 and World Class
- Rosemount Oxymitter
- Yokogawa

## Technical Support Hotline

For assistance with technical problems, please call the Customer Support Center (CSC). The CSC is staffed 24 hours a day, 7 days a week.

Phone: 1-800-433-6076, 1-440-914-1261

In addition to the CSC, you may also contact Field Watch. Field Watch coordinates Emerson's field service throughout the U.S. and abroad.

Phone: 1-800-654-RSMT (1-800-654-7768)

Emerson may also be reached via the Internet through email and the World Wide Web:

Email: [GAS.CSC@emerson.com](mailto:GAS.CSC@emerson.com)

World Wide Web: [www.Emerson.com/RosemountGasAnalysis](http://www.Emerson.com/RosemountGasAnalysis)

## Warranty

Rosemount warrants that the equipment manufactured and sold by it will, upon shipment, be free of defects in workmanship or material. Should any failure to conform to this warranty become apparent during a period of one year after the date of shipment, Rosemount shall, upon prompt written notice from the purchaser, correct such nonconformity by repair or replacement, F.O.B. factory of the defective part or parts. Correction in the manner provided above shall constitute a fulfillment of all liabilities of Rosemount with respect to the quality of the equipment.

THE FOREGOING WARRANTY IS EXCLUSIVE AND IN LIEU OF ALL OTHER WARRANTIES OF QUALITY WHETHER WRITTEN, ORAL, OR IMPLIED (INCLUDING ANY WARRANTY OF MERCHANTABILITY OR FITNESS FOR PURPOSE).

The remedy(ies) provided above shall be purchase's sole remedy(ies) for any failure of Rosemount to comply with the warranty provisions, whether claims by the purchaser are based in contract or in tort (including negligence).

Rosemount does not warrant equipment against normal deterioration due to environment. Factors such as corrosive gases and solid particulates can be detrimental and can create the need for repair or replacement as part of normal wear and tear during the warranty period.

Equipment supplied by Rosemount but not manufactured by it will be subject to the same warranty as is extended to Rosemount by the original manufacturer.

At the time of installation, it is important that the required services are supplied to the system and that the electronic controller is set up at least to the point where it is controlling the sensor heater. This will ensure that, should there be a delay between installation and full commissioning, the sensor being supplied with ac power and reference air will not be subjected to component deterioration.

# Contents

<b>Chapter 1</b>	<b>Description and specifications</b>	<b>1</b>
1.1	Component checklist	1
1.2	System overview	2
1.2.1	Scope	2
1.2.2	System configurations	3
1.2.3	Automatic calibration	4
1.2.4	Communication options	4
1.2.4.1	Data communications	4
1.2.4.2	Optional OxyBalance display and averaging system	5
1.3	Specifications	6
<b>Chapter 2</b>	<b>Install</b>	<b>9</b>
2.1	System considerations	10
2.2	Mechanical installation	10
2.2.1	Mount	10
2.3	Electrical installation	12
2.3.1	Optional flame safety interlock	15
2.3.2	Traditional architecture cable connections	16
<b>Chapter 3</b>	<b>Configure</b>	<b>19</b>
3.1	Verify installation	19
3.1.1	Xi configuration	19
3.2	Set test gas values	20
3.2.1	Setting test gas values using Field Communicator	20
3.3	Alarm relay output configuration	20
3.3.1	Configuring alarm relays with the Xi keypad/display	21
3.3.2	Configuring autocalibration with the Field Communicator	21
3.4	Analog output configuration	22
3.4.1	Configuring the analog output with the Xi keypad/display	22
3.4.2	Configuring alarm relays with the Field Communicator	22
3.5	Autocalibration setup	22
3.6	Optional advanced features inside the Xi	23
3.6.1	Extended process temperature range to 1472 °F (800 °C)	23
3.6.2	Stoichiometer	24
3.6.3	Programmable reference	24
<b>Chapter 4</b>	<b>Startup and operation</b>	<b>25</b>
4.1	Overview	25
4.2	Startup	25
4.2.1	Operation via Xi	26
4.2.2	Error conditions	26
4.2.3	Xi Controls	26
4.2.4	Password protection	30
4.3	System parameter descriptions	31
4.4	Probe parameter descriptions	34
4.5	Operation via HART/AMS	39
4.5.1	Field communicator signal line connections	39
4.5.2	Field Communicator menu trees	40

4.6	Offline and online operations .....	42
4.7	Calibration - general .....	43
4.8	O <sub>2</sub> calibration .....	43
4.8.1	O <sub>2</sub> calibration with Xi .....	44
4.8.2	O <sub>2</sub> calibration with Xi and Field Communicator .....	45
4.9	D/A trim .....	46
4.9.1	D/A trim with Xi .....	46
<b>Chapter 5</b>	<b>Troubleshooting .....</b>	<b>47</b>
5.1	Overview of operating principles .....	47
5.2	General .....	48
5.2.1	Grounding .....	48
5.2.2	Electrical noise .....	48
5.2.3	Electrostatic discharge .....	49
5.3	Alarm indications .....	49
5.4	Identifying and correcting fault indications .....	50
5.5	Calibration passes, but still reads incorrectly .....	51
5.5.1	Probe passes calibration, O <sub>2</sub> still reads high .....	52
5.5.1.1	External reference air leak .....	52
5.5.1.2	Internal reference air leak .....	52
5.5.2	Probe passes calibration, O <sub>2</sub> still reads low .....	53
5.5.3	How do I detect a plugged diffuser? .....	53
5.5.4	Can I calibrate a badly plugged diffuser? .....	53
<b>Chapter 6</b>	<b>Maintenance and service .....</b>	<b>55</b>
6.1	Overview .....	55
6.2	Maintenance intervals .....	55
6.3	Calibration .....	56
6.3.1	Automatic calibration .....	56
6.3.2	Manual calibration .....	56
6.4	Replacement parts .....	56
6.5	Xi components replacement .....	56
6.5.1	I/O board replacement .....	58
6.5.2	AC relay board replacement .....	62
6.5.3	Power supply board replacement .....	63
6.5.4	Xi front panel replacement .....	65
6.5.4.1	Replacing front panel assembly without CPU board .....	65
6.5.4.2	Replacing front panel assembly with CPU board .....	66
6.5.5	DR board replacement .....	67
<b>Chapter 7</b>	<b>Replacement parts .....</b>	<b>71</b>
7.1	Xi electronics .....	71
7.2	Calibration components .....	72
<b>Chapter 8</b>	<b>Optional accessories .....</b>	<b>73</b>
8.1	HART handheld 375/475 Field Communicator .....	73
8.2	Asset Management Solutions (AMS) .....	74
8.3	By-Pass Packages .....	74
8.4	SPS 4001B Single Probe Autocalibration Sequencer .....	75
8.5	IMPS 4000 Intelligent Multiprobe Test Gas Sequencer .....	76
8.6	O <sub>2</sub> calibration gas .....	77
8.7	OxyBalance Display and Averaging System .....	78

## Appendices and reference

<b>Appendix A</b>	<b>XPS information</b> .....	<b>79</b>
A.1	XPS equipment description .....	79
A.1.1	Remote XPS for 44 V probes - 6A00358G01 .....	79
A.1.2	Remote XPS for 115 V probes - 6A00358G03 .....	80
A.1.3	Integral XPS 6A00365G01 with Xi (for 44 V probes) .....	81
A.1.4	Other XPS uses .....	81
A.2	Specifications .....	88
A.3	Recommended spare parts .....	88
<b>Appendix B</b>	<b>Service support</b> .....	<b>89</b>





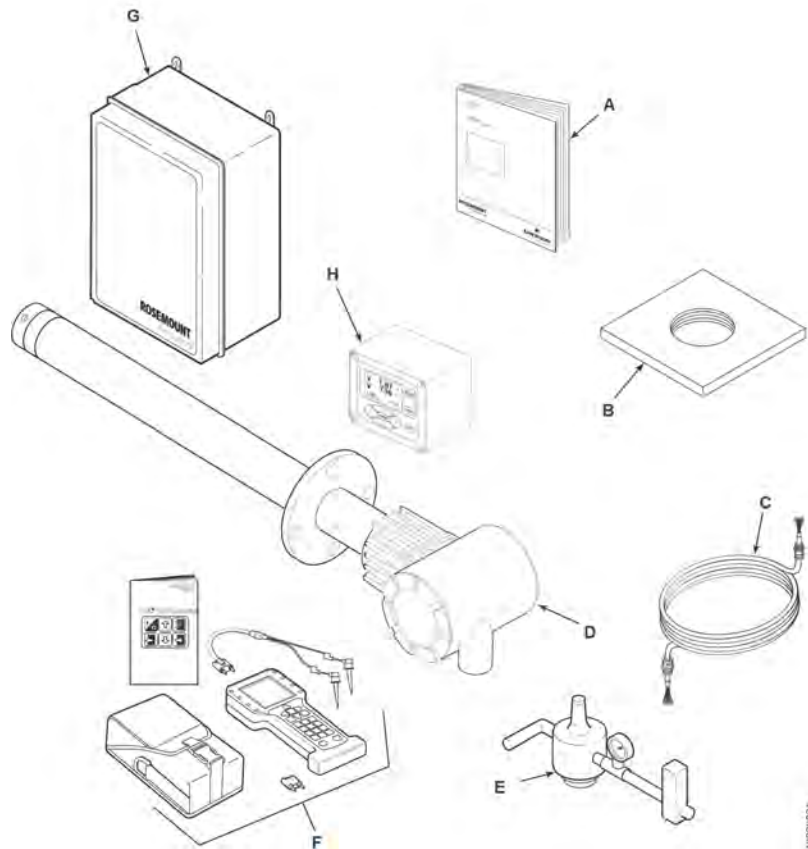
# 1 Description and specifications

## 1.1 Component checklist

A typical Rosemount O<sub>2</sub> Combustion Flue Gas Transmitter should contain all the items shown in [Figure 1-1](#). A complete Oxygen Analyzer system will include some or all of the equipment shown. However, this manual describes item *H* only.

Use the product matrix ([Table 1-1](#)) at the end of this section to compare your order number against your unit. The first part of the matrix defines the model. The last part defines your options and features. Ensure the features and options specified by your order number are on or included with the unit.

**Figure 1-1: Typical system package**



- A. Quick Start Guide
- B. Weld plate
- C. Traditional architecture cable
- D. O<sub>2</sub> probe
- E. Reference Air Set (not used if SPS 4001B or IMPS 4000 is used)
- F. HART® 375/475 Field Communicator package (optional)
- G. Optional SPS 4001B or IMPS 4000 Autocalibration Sequencer
- H. Xi Advanced Electronics

## 1.2 System overview

### 1.2.1 Scope

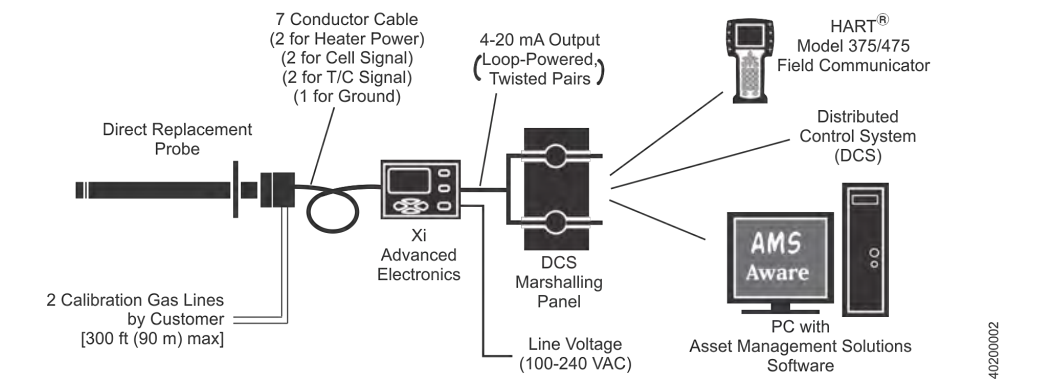
This Instruction Manual supplies details needed to install, start up, operate, and maintain the Xi Electronics. Signal conditioning electronics output a 4-20 mA signal representing the O<sub>2</sub> value. This information, plus additional details, can be accessed with the HART Model 375/475 Field Communicator or Asset Management Solutions (AMS) software..

## 1.2.2 System configurations

### Traditional architecture, HART, and Xi communications

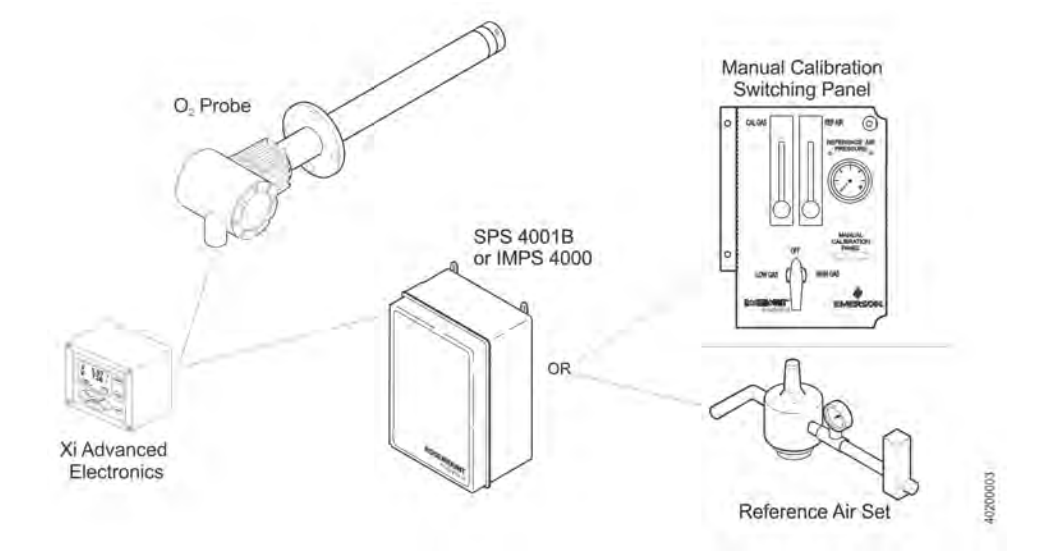
Some customers prefer not to mount electronics onto the probe, so a traditional architecture version is offered. This probe sends raw millivolt signals via a 7-conductor cable to the Xi electronics, [Figure 1-2](#), which does all heater control and signal conditioning in addition to its display/keypad functions. The Xi Advanced Electronics is offered to support direct replacement probes with either 120 volt or 44 volt heaters.

**Figure 1-2: Direct replacement probe with traditional architecture electronics**



40200002

**Figure 1-3: O<sub>2</sub> probe with Xi Electronics and autocalibration sequencer**



40200003

## 1.2.3 Automatic calibration

Calibrations consist of introducing bottled gases of known value into the probe so the electronics can make automatic adjustments to the O<sub>2</sub> readings to match the bottled gas value. 0.4% O<sub>2</sub> and 8% O<sub>2</sub> (balance nitrogen) gases are recommended. Never use nitrogen or instrument air as calibration gases.

Flowmeters (for calibration gases) and regulators and flowmeters (for reference air) are available as loose components, mounted into an optional manual calibration switching panel or as a fully automated calibration system, [Figure 1-3](#), where calibration solenoids are switched from the Xi Electronics. See IM-106-340AC, SPS 4000B Single Probe Autocalibration Sequencer or IM-106-400IMPS, IMPS 4000 Intelligent Multiprobe Test Gas Sequencer, for additional details.

## 1.2.4 Communication options

### Data communications

An operator can configure and troubleshoot the O<sub>2</sub> probe system in one of two ways:

1. Using the Xi Advanced Electronics; the Xi carries the following optional advanced features:
  - Fully automatic calibration
  - Flame safety interface
  - High temperature operation [above 1292 °F (700 °C) standard temperature]
  - Stoichiometer feature provides the ability to indicate O<sub>2</sub> efficiency when the combustion process goes into reducing conditions (0% O<sub>2</sub>).
  - Programming reference provides advanced accuracy when measuring at or near O<sub>2</sub> level (20.95% O<sub>2</sub>).
2. Using the HART interface, the Xi's 4-20 mA output line transmits an analog signal proportional to the oxygen level. The HART output is superimposed on the 4-20 mA output line. This information can be accessed through the following:
  - Rosemount 375/475 Field Communicator - The handheld communicator requires Device Description (DD) software specific to the Xi. The DD software will be supplied with many 375/475 units, but can also be programmed into existing units at most Emerson service offices. See [Chapter 4](#) for additional information.
  - Personal computer (PC) - The use of a personal computer requires AMS software available from Emerson.
  - Delta V and Ovation Distributed Control System (DCS) with AMS-inside capability.

#### NOTICE

**The 375 Field Communicator must be upgraded to System Software 2.0 with Graphic License for operation with the Xi. The AMS software must be upgraded to AMS 8.0 or above.**

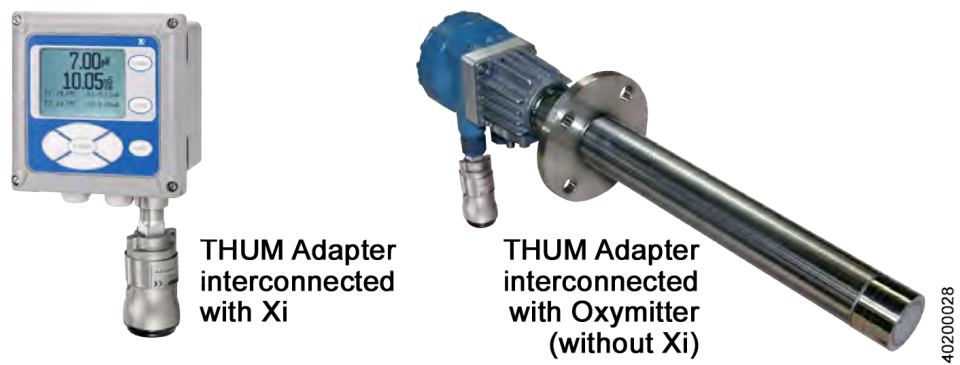
**Contact Emerson's Global Service Center (GSC) at 1-800-833-814 to upgrade the 375 Field Communicator software to System Software 2.0 with Graphic License.**

---

- The Xi can also transmit HART information wirelessly via a wireless THUM Adapter, [Figure 1-4](#). The THUM Adapter threads into the Xi conduit ports and converts the 4-20 mA O<sub>2</sub> signal to a wireless protocol. All other HART information is also transmitted.

In addition to the wireless THUM Adapter, a hard-wire connection of the 4-20 mA signal to the DCS may be used at the same time. More detailed information regarding the application of the THUM Adapter is available in Product Data Sheet 00813-0100-4075. Note that the THUM Adapter may also be used with the Oxymitter, mounted integral to the probe, or to the Oxymitter remote electronics.

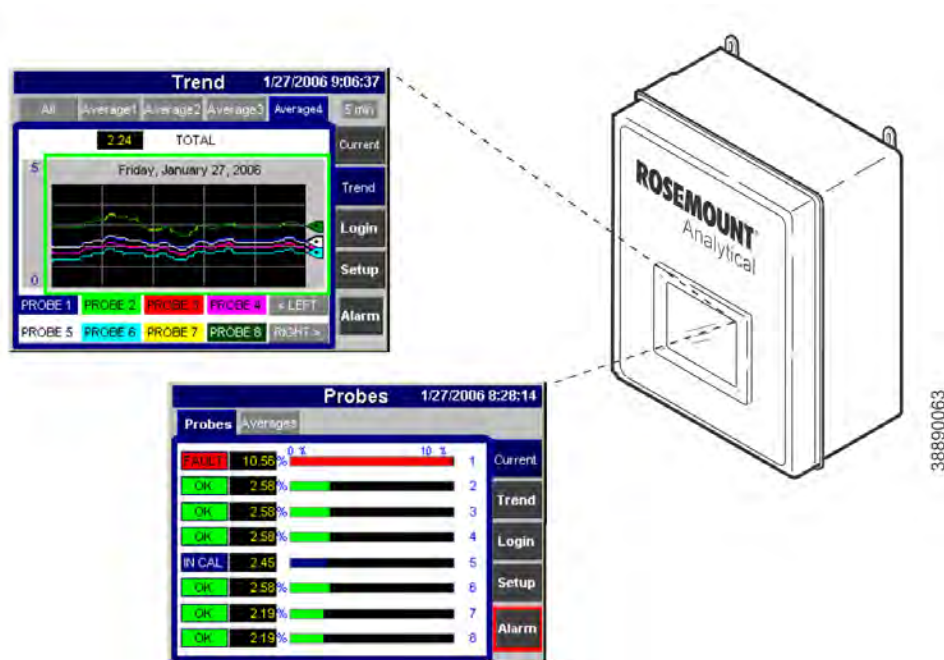
**Figure 1-4: Wireless THUM Adapter**



## Optional OxyBalance display and averaging system

Receives up to eight 4-20 mA signals from individual Xi units. Trends individual outputs and calculates four programmable averages as additional 4-20 mA outputs. OxyBalance graphic displays are shown in [Figure 1-5](#). See IM-106-4050, OxyBalance Oxygen Display and Averaging System, for additional details.

Figure 1-5: OxyBalance displays







## 1.3 Specifications

Table 1-1: Specifications

Measurement specifications	
Net O <sub>2</sub> range	0 to 50% O <sub>2</sub> user scalable -2 to 50% O <sub>2</sub> user scalable with stoichiometer
Lowest detectable limit	0.01% O <sub>2</sub>
Signal stability	±0.03% O <sub>2</sub>
Accuracy in reducing conditions	±10% of reading or 0.1% O <sub>2</sub>
System responses in reducing conditions	Going from oxidizing to reducing -T <sub>90</sub> in 120 seconds Going from reducing to oxidizing -T <sub>90</sub> in 30 seconds
Ambient temperature effect on Xi 4-20 mA signal	Less than 0.0025% O <sub>2</sub> per degree Celsius
Environmental specifications	
Xi Advanced Electronics	Type 4X/IP66 polycarbonate material
Ambient temperature limits	-4 to 122 °F (-20 to 50 °C) -4 to 158 °F (-20 to 70 °C) as measured by electronics
Xi LCD display: ambient temperature limits	-4 to 131 °F (-20 to 55 °C)

**Table 1-1: Specifications (continued)**

General purpose certifications	  
<b>Installation specifications</b>	
Mounting	Panel, wall, or pipe
Reference air	0.5 scfh (0.25 l/min), clean, dry, instrument-quality air (20.95% O <sub>2</sub> ), regulated to 5 psi (34 kPa)
Calibration	Semi-automatic or automatic
Cal gases	0.4% O <sub>2</sub> and 8% O <sub>2</sub> , balance N <sub>2</sub>
Traditional architecture cable	200 ft (61 m) maximum length
Transmitter electrical power	12 - 24 Vdc (loop-powered from control room or Xi)
Electrical power for Xi	100 - 240 Vac ±10%, 50/60 Hz
Power consumption of Xi	12 VA maximum or 776 VA maximum with traditional architecture, 120 V probes 450 VA maximum with traditional architecture, 44 V probes
Alarm relay outputs	Two provided - 2 Amperes, 30 Vdc, Form-C
Optional loss of flame input	Internally powered input to remove heater power actuated via dry contact output from user's flame scanner
	Emerson has satisfied all obligations from the European legislation to harmonize the product requirements in Europe. All static performance characteristics are with operating variables constant. Specifications subject to change without notice.

**Table 1-2: Product matrix, Xi advanced electronics**

Xi	Xi Advanced Electronics
<b>Code</b>	<b>Remote type</b>
01	Single channel <sup>(1)</sup>
02	Single channel, accepting a loss-of-flame input to remove heater power with flame status relay <sup>(1)</sup>
03	Dual channel <sup>(1)</sup>
04	Single channel traditional architecture for 120 V probes
05	Single channel traditional architecture for 44 V probes
<b>Code</b>	<b>Mounting</b>
00	No hardware
01	Panel mount kit with gasket
02	2 in. pipe/wall mount kit

**Table 1-2: Product matrix, Xi advanced electronics (continued)**

<b>Code</b>	<b>Cable</b>
00	No cable
10	20 ft (6 m) cable
11	40 ft (12 m) cable
12	60 ft (18 m) cable
13	80 ft (24 m) cable
14	100 ft (30 m) cable
15	150 ft (45 m) cable
16	200 ft (60 m) cable
<b>Code</b>	<b>Stoichiometer function</b>
00	None
01	Single channel (stoichiometer cell also required in probe)
02	Dual channel (stoichiometer cell also required in probe)
<b>Code</b>	<b>Programmable reference function</b>
00	None
01	Single channel
02	Dual channel
<b>Code</b>	<b>800 deg C process function</b>
00	None
01	Single channel
02	Dual channel

1. Requires XPS transmitter, P/N 6A00358G03



## 2 Install

### **⚠ WARNING!**

Before installing this equipment, read the Essential Instructions at the front of this Instruction Manual. Failure to follow safety instructions could result in serious injury or death.

### **⚠ WARNING!**

#### **ELECTRICAL HAZARD**

Install all protective equipment covers and safety ground leads after installation. Failure to install covers and ground leads could result in serious injury or death.

### **⚠ WARNING!**

#### **HAZARDOUS AREAS**

The Xi Advanced Electronics can be installed in general purpose areas only. Do not install the Xi in hazardous areas or in the vicinity of flammable liquids.

### **⚠ WARNING!**

#### **ELECTRICAL HAZARD**

If external loop power is used, the power supply must be a safety extra low voltage (SELV) type.

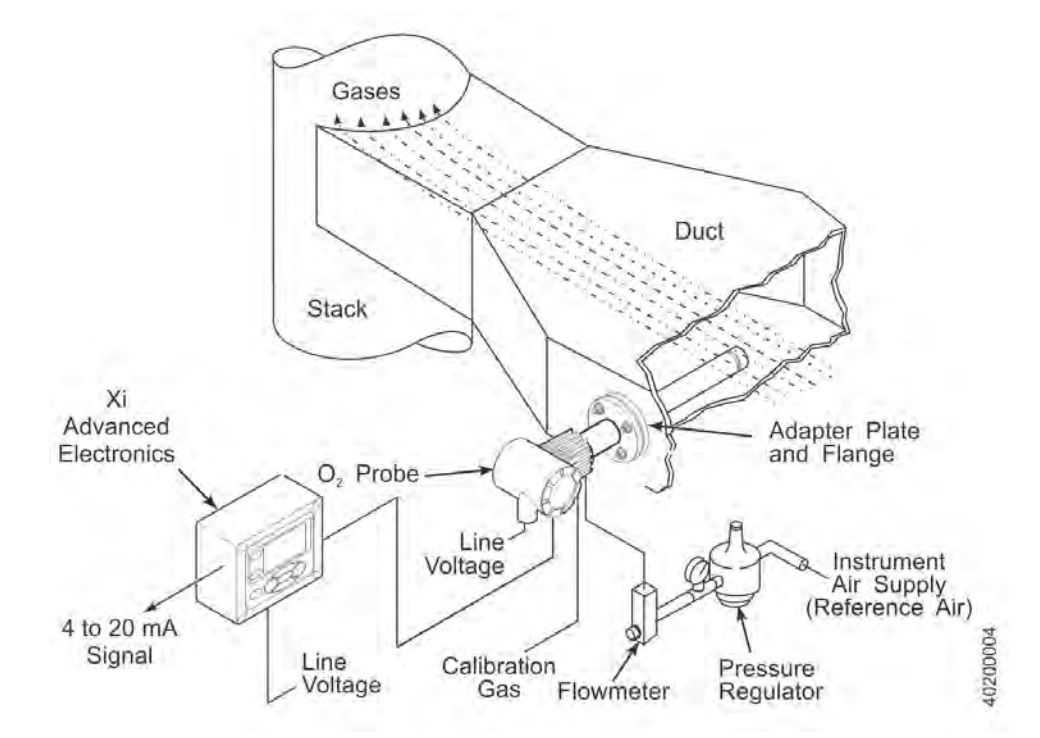
### **NOTICE**

All unused ports on the probe housing and Xi enclosure should be plugged with a suitable filling.

## 2.1 System considerations

A typical system installation for an Xi or O<sub>2</sub> probe is shown in [Figure 2-1](#).

**Figure 2-1: Typical system installation**



## 2.2 Mechanical installation

### 2.2.1 Mount

The Xi Advanced Electronics is available in a panel mounting, wall mounting, or pipe mounting configuration.

Refer to [Figure 2-2](#) or [Figure 2-3](#) for the panel, wall, or pipe mounting details.

#### Procedure

1. Ensure all components are available to install the Xi.
2. Select a mounting location near or removed from the O<sub>2</sub> probe.

Consider the temperature limitations of the Xi (see [Section 1.3](#)) when selecting the mounting location.

3. Mount the Xi at a height convenient for viewing and operating the interface.

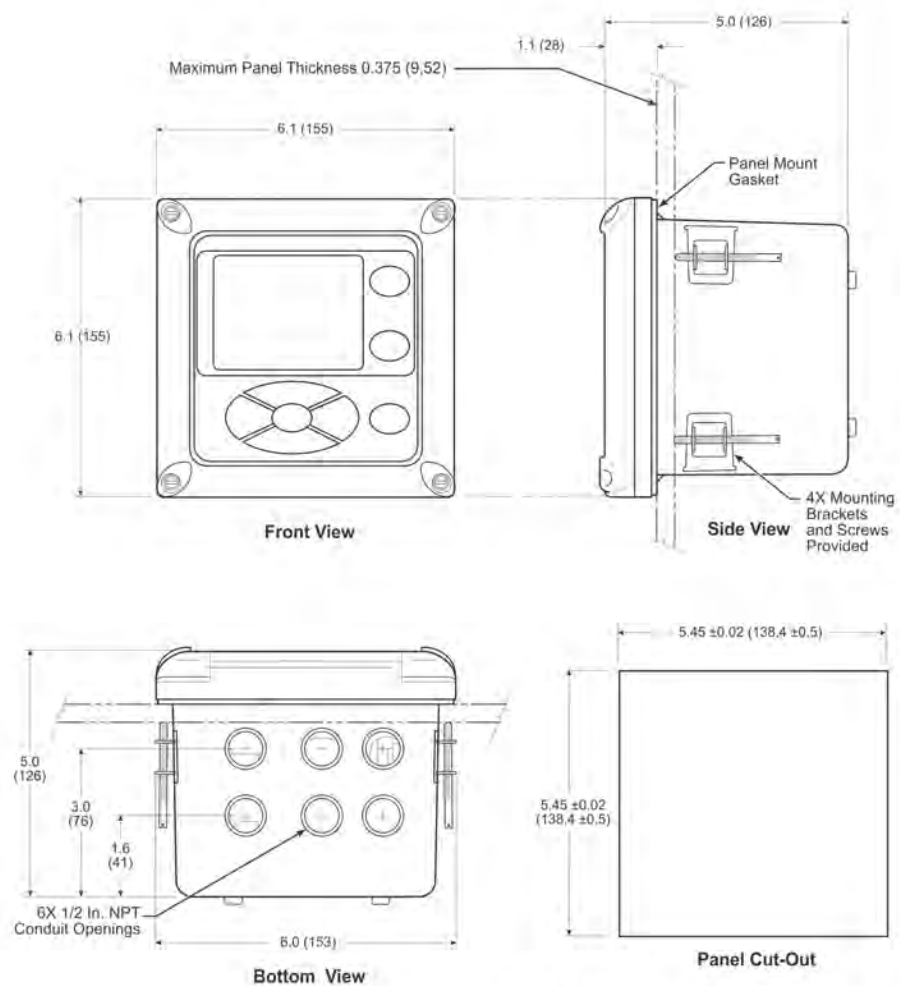
Approximately 5 ft (1.5 m) is recommended.

4. The keypad window on the Xi may have interior and exterior protective membranes. Remove the protective membranes prior to use of the Xi enclosure.

### NOTICE

**Failure to remove the protective membranes may cause the display to appear distorted. The membrane may be difficult or impossible to remove after extended use at elevated temperatures.**

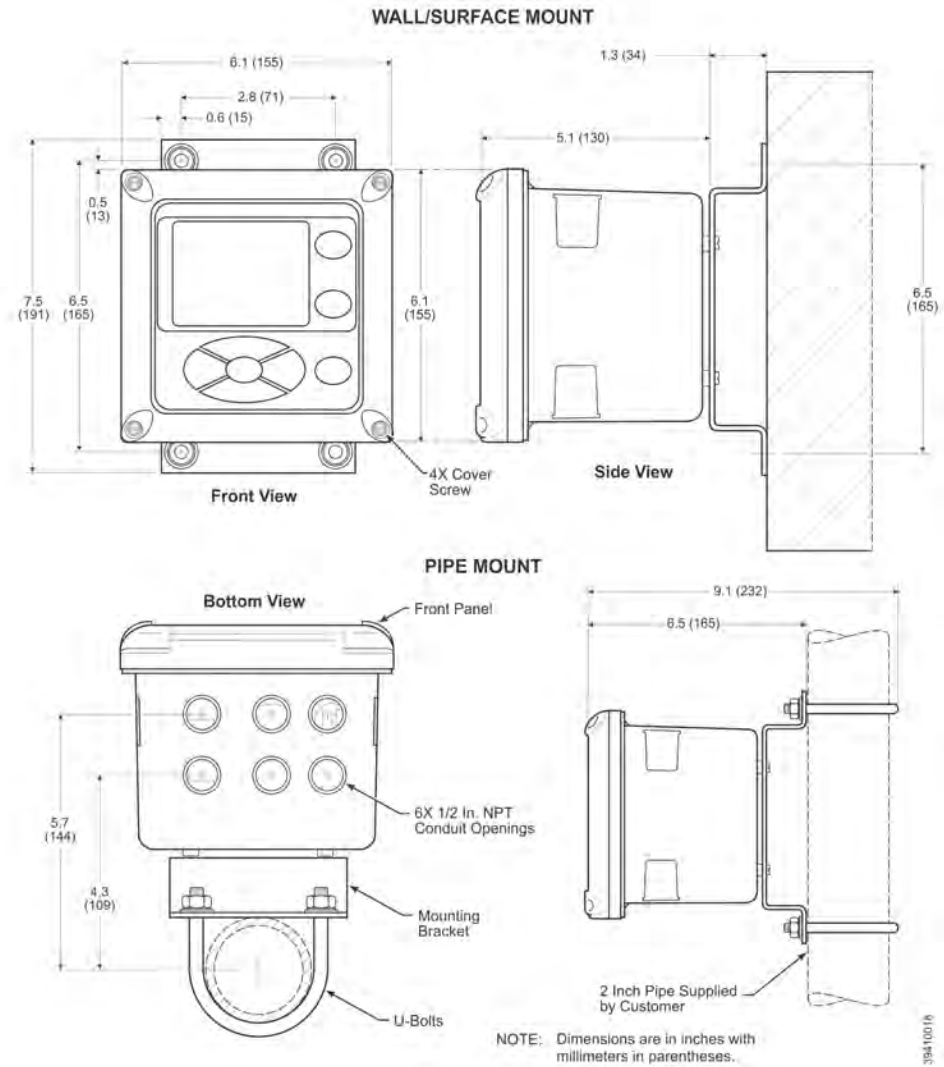
**Figure 2-2: Xi Advanced Electronics - panel mounting details**



- NOTES: 1. Dimensions are in inches with millimeters in parentheses.  
2. The front panel is hinged at the bottom. The panel swings down for easy access to the wiring locations.

39410019

**Figure 2-3: Xi Advanced Electronics - wall/surface and pipe mounting details**



## 2.3 Electrical installation

All wiring must conform to local and national codes. Multiple wiring diagrams are shown in this section. Always refer to the diagrams that apply to your transmitter configuration and disregard all other wiring diagrams.

**⚠ WARNING!****ELECTRIC SHOCK**

Disconnect and lock out power before connecting the power supply. Failure to lock out power could result in serious injury or death.

**⚠ WARNING!****ELECTRIC SHOCK**

Install all protective covers and safety ground leads after installation. Failure to install covers and ground leads could result in serious injury or death.

**⚠ WARNING!****ELECTRIC SHOCK**

To meet the safety requirements of IEC 1010 (EC requirement) and ensure safe operation of this equipment, connection to the main electrical power supply must be made through a circuit breaker (min 10 A) which will disconnect all current-carrying conductors during a fault situation. This circuit breaker should also include a mechanically operated isolating switch. If it does not, locate another external means of disconnecting the power supply close by. Circuit breakers or switches must comply with a recognized standard such as IEC 947.

**NOTICE**

Line, voltage, signal, and relay wiring must be rated for at least 105 °C (221 °F).

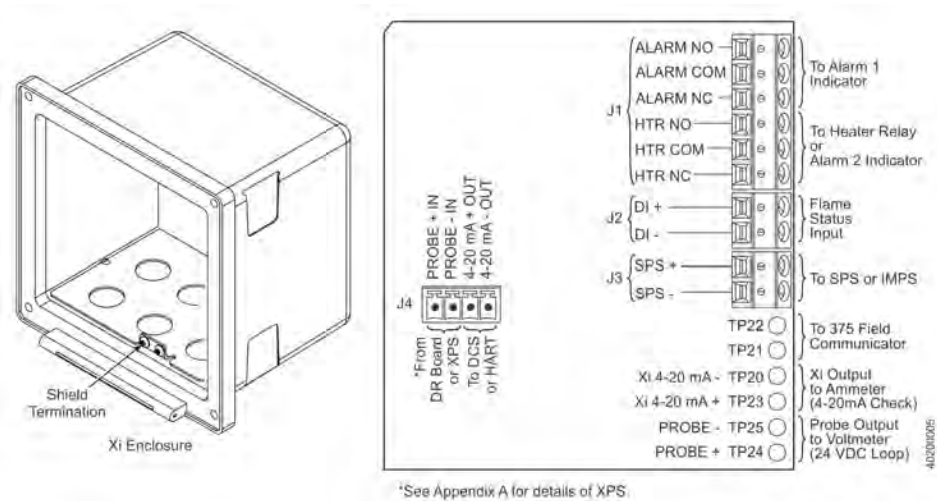
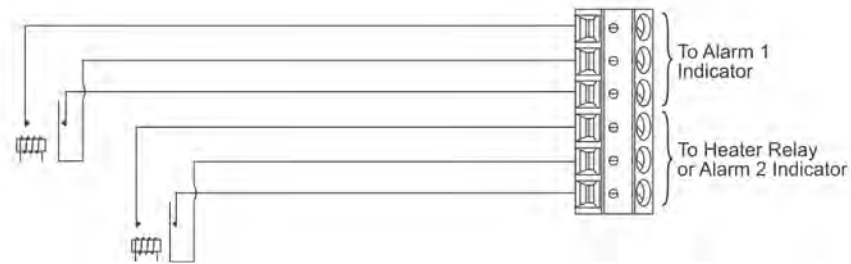
**NOTICE**

If a metal conduit is used with the Xi, the conduit should be reliably bonded to protective earth. The grounding plate inside the Xi is not bounded to PE and does not provide adequate grounding.

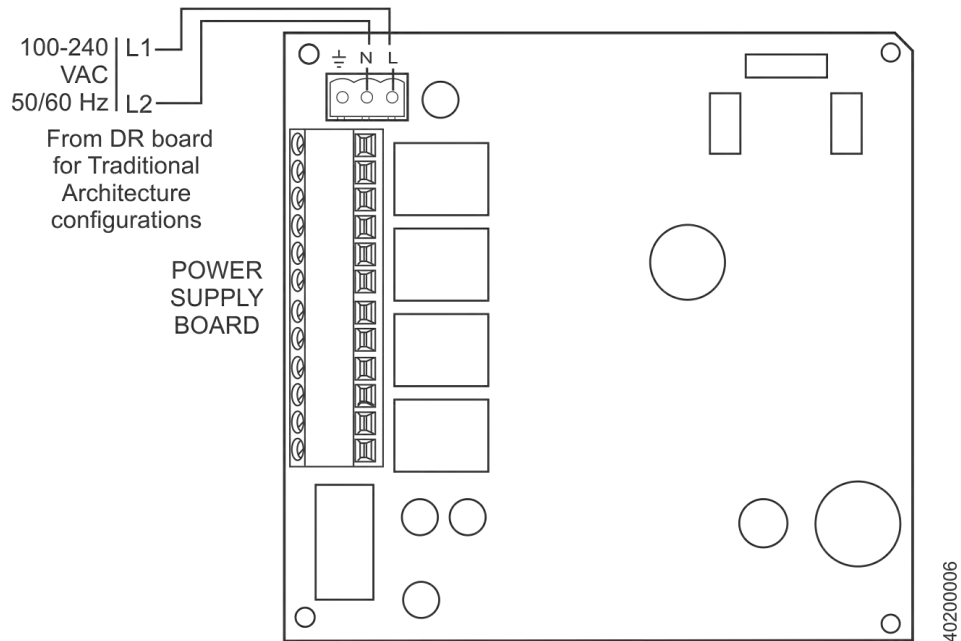
1. Remove cover screws from the front cover of the Xi. Swing down the front cover of the interface box.
2. Pull out the I/O board on the right-hand side of the card rack inside the Xi. If your system is configured to operate two transmitter probes, there are two I/O interface boards.
3. See [Figure 2-4](#). Connect the 4-20 mA signal wires at J4 of the I/O board. Attach the supplied ferrite clamp over the 4-20 mA OUT wires that extend past the shield.

**NOTICE**

Installation of the ferrite clamp over the 4-20 mA OUT wires is required for compliance with the European EMC directive.

**Figure 2-4: Signal connections at I/O board****Figure 2-5: Alarm indicator relay terminals**

4. Terminate the shield of the 4-20 mA signal wires at the designated ground terminal of the Xi. Do not allow bare shield wires to contact the circuit boards. Insulate the shield wires prior to termination.
5. Connect the signal wires from the SPS or IMPS (if used) to the applicable terminals of J3. Refer to the SPS or IMPS instruction manual for wiring details.
6. Connect the signal wires for the flame status input (if used) to the applicable terminals of J2. The flame status sensing device is supplied by the customer. Refer to the applicable OEM documents for signal wiring details.
7. Connect the customer's alarm indicator devices to the alarm indicator relay terminals. See [Figure 2-5](#) for the alarm indicator relay terminals.
8. Reinstall the I/O board in the card rack of the Xi.

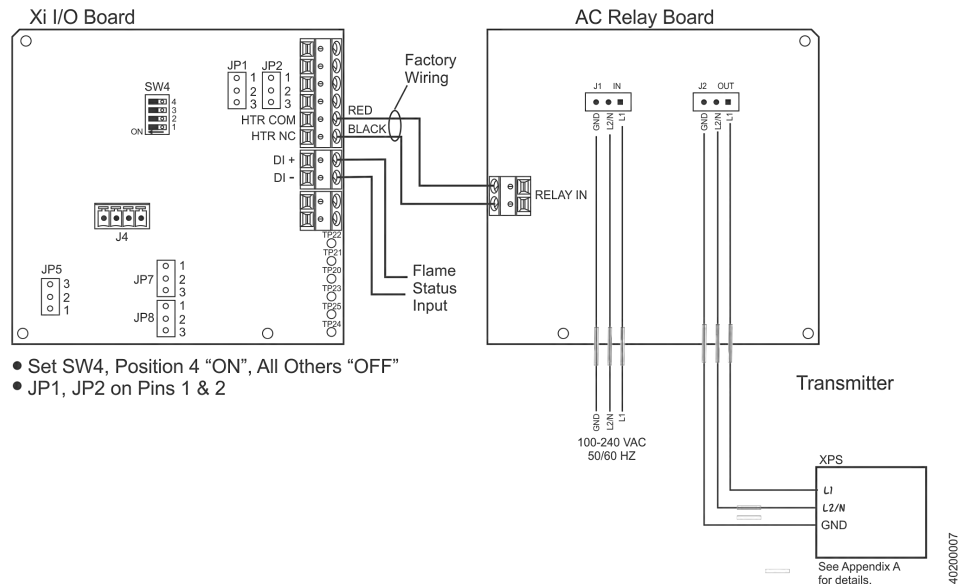
**Figure 2-6: Power connections - Xi Advanced Electronics**

9. If your system is configured for two channel operation, repeat steps 2 through 7 to connect the other signal wires.
10. Remove the connector from the power supply board located on the left-hand side of the card rack inside the Xi.
11. See [Figure 2-6](#). Connect the line, or L1, wire to the L1 terminal and the neutral, or L2, wire to the N terminal.
12. Reinstall the power supply connector in the power supply board.
13. Close and fasten the Xi cover.

### 2.3.1 Optional flame safety interlock

A flame safety interlock by Emerson is available for the heater power disconnect whenever there is a loss of the process flame or a heater runaway condition (heater over-temperature) in the O<sub>2</sub> probe. A simplified wiring diagram for the flame safety interlock is shown in [Figure 2-7](#). The input is internally powered by the Xi and is actuated via a dry contact output from the user's flame scanner. A closed contact indicates a flame is present. An open contact indicates a loss of flame.

Figure 2-7: Flame safety interlock - wiring diagram



## 2.3.2

### Traditional architecture cable connections

A traditional architecture configuration is used to provide for remote location of the transmitter electronics. All electronics are housed inside the Xi. A multi-conductor power/signal cable connects between the probe and the Xi. Use the following procedure to connect the traditional architecture probe to the Xi.

#### NOTICE

**The traditional architecture cable is provided at the specified length and is ready for installation. The cable glands must be properly terminated to maintain EMC/EMI noise protection.**

#### Procedure

1. Run the 7-conductor cable between the traditional architecture probe and the installation site for Xi. Use new cable conduit or trough as needed.



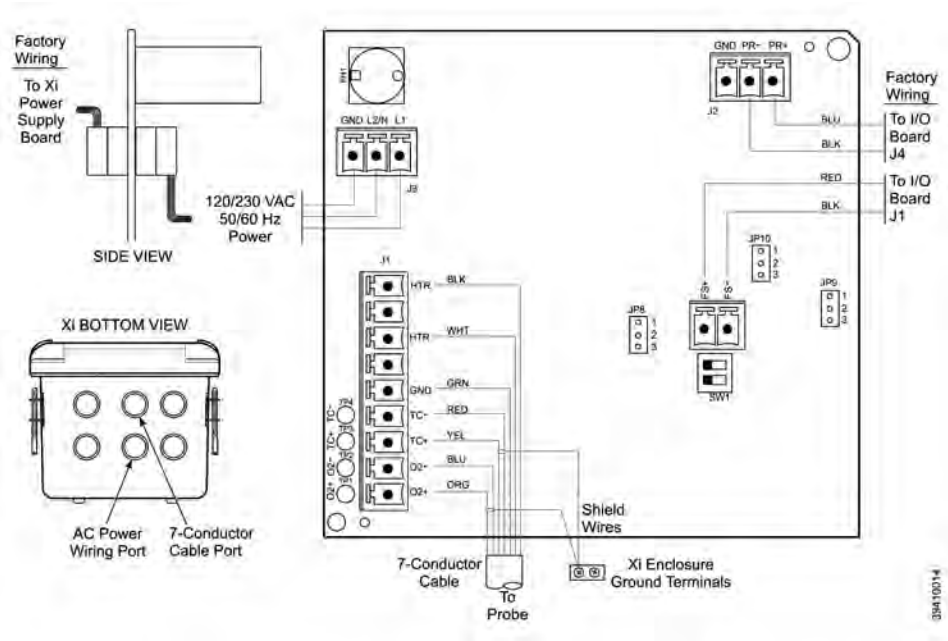
**Figure 2-8: Traditional architecture cable gland assembly**

2. Install the cable and lead wires to the probe per manufacturer's instructions.
3. Install the cable at the probe housing and at the Xi enclosure according to the following procedure:
  - a. Unscrew the locking nut from the gland assembly ([Figure 2-8](#)) and slide the locking nut back along the cable.
  - b. Pull the gland body away from the plastic insert.
 

Use care not to damage the cable shield braid.
  - c. Insert the cable wires into the proper entry port in either the probe housing or the Xi enclosure.
  - d. At the probe housing, apply Teflon tape or similar sealing compound to the tapered pipe threads. Thread the gland body into the probe housing until properly seated.
  - e. At the Xi enclosure, insert the gland body into the left front cable port from inside the enclosure. Use the rubber O-ring provided to seal the cable port.
  - f. Ensure the cable shield braid is evenly formed over the gray insert.
 

When properly formed, the braid should be evenly spaced around the circumference of the insert and not extend beyond the narrow diameter portion.
  - g. Carefully press the gray insert into the gland body. The grooves on the insert should align with similar grooves inside the gland body. Press the insert in until it bottoms out in the gland body.
  - h. Slide the locking nut up and thread it onto the gland body. Tighten the locking nut so the rubber grommet inside the plastic insert compresses against the cable wall to provide an environmental seal.
4. At the Xi, connect the cable leads to the connectors on the transmitter I/O board as indicated in [Figure 2-9](#).

**Figure 2-9: Transmitter board connections at Xi-traditional architecture**



# 3 Configure

## 3.1 Verify installation

**⚠ WARNING!**

**ELECTRIC SHOCK**

Install all protective equipment covers and safety ground leads before equipment startup. Failure to install covers and ground leads could result in serious injury or death.

**⚠ WARNING!**

**ELECTRIC SHOCK**

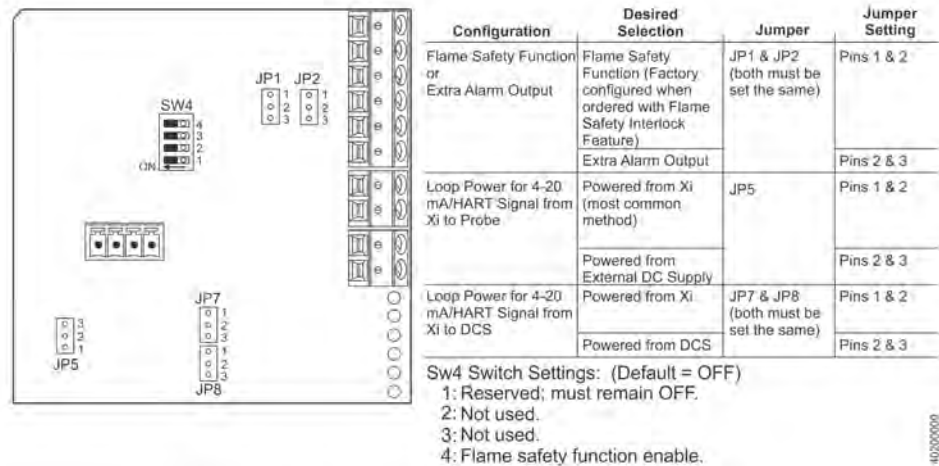
If external loop power is used, the power supply must be a safety extra low voltage (SELV) type.

### 3.1.1 Xi configuration

Refer to [Figure 3-1](#) for the configuration of jumpers JP1 through JP8. The jumper configuration for your I/O board depends on the system design and system components used in your installation.

The setting of switch SW4 and the configuration of jumpers JP1 through JP8 must be verified on the I/O board in the Xi. All four dip switches on switch SW4 must be set to the *Off* position, as shown.

**Figure 3-1: I/O board jumper configuration**



## 3.2 Set test gas values

Use a Field Communicator or the Xi to set test gas values for calibration. An Xi shipped from the factory has test gas values for low and high set to 0.4% and 8% respectively. This same process must be performed any time a replacement transmitter board, I/O board, or DR board is installed.

Setting test gas values using Xi display/keypad

### Procedure

1. Press the *MENU* button once.
2. From the main menu, select *PROBE 1*.
3. From *PROBE 1*, select *DETAILED SETUP*.
4. From the *DETAILED SETUP* menu, select *CAL SETUP*.
5. From *CAL SETUP*, select *Cal Gas 1*. Enter the percent O<sub>2</sub> used for the low O<sub>2</sub> test gas.
6. From *CAL SETUP*, select *Cal Gas 2*. Enter the percent O<sub>2</sub> used for the high O<sub>2</sub> test gas.
7. Press the *Left* arrow key several times to return to the main menu.
8. Repeat steps 2 through 6 for *PROBE 2* if configured for dual channel.

### 3.2.1 Setting test gas values using Field Communicator

1. Use the Field Communicator software to access the HART menu.
2. From the *DEVICE SETUP* menu, select *DETAILED SETUP*.
3. From the *DETAILED SETUP* menu, select *CAL SETUP*.
4. From *CAL SETUP*, select *Cal Gas 1*. Enter the percent O<sub>2</sub> used for the low O<sub>2</sub> test gas.
5. From *CAL SETUP*, select *Cal Gas 2*. Enter the percent O<sub>2</sub> used for the high O<sub>2</sub> test gas.

## 3.3 Alarm relay output configuration

The Xi has two dry contact Form-C alarm relay output signals that can be configured in eight different modes through the Xi keypad display or the 375/475 Field Communicator. A list of possible configurations is shown in [Table 3-1](#). Each alarm relay can be configured separately.

If the Xi is configured with the optional flame safety interlock, Alarm 2 is configured with *Heater Relay* and prewired to the AC relay board. In this condition, the relay configuration cannot be changed to any other setting. If the Xi is not configured with the optional flame safety interlock, *Heater Relay* is not valid and cannot be chosen for Alarm 2.

**Table 3-1: Alarm relay output configurations**

Mode	Configuration
No alarm <sup>(1)</sup>	The output is not configured for any alarm condition.
Unit alarm	The output is configured for a unit alarm.
Low O <sub>2</sub> alarm	The output is configured for a low O <sub>2</sub> alarm.
Low O <sub>2</sub> /unit alm	The output is configured for a unit alarm and a low O <sub>2</sub> alarm.
Cal recommended	The output is configured for a calibration recommended display.
Cal rec/unit alm <sup>(2)</sup>	The output is configured for a unit alarm and a calibration recommended display.
Low O <sub>2</sub> /cal rec	The output is configured for a low O <sub>2</sub> alarm and a calibration recommended display.
Low O <sub>2</sub> /unit/cal rec	The output is configured for a low O <sub>2</sub> alarm, a unit alarm, and a calibration recommended display.
Heater relay	The output is configured for flame safety interlock.

(1) The default configuration for Alarm 2

(2) The default configuration for Alarm 1

### 3.3.1 Configuring alarm relays with the Xi keypad/display

1. Press the *MENU* button once.
2. From the main menu, select *PROBE 1*.
3. From *PROBE 1*, select *DETAILED SETUP*.
4. From the *DETAILED SETUP* menu, select *ALARM RELAY*.
5. From *ALARM RELAY*, select as follows:
  - Alm Relay1 - Alarm 1 mode
  - Alm Relay2 - Alarm 2 mode
  - Low O<sub>2</sub> Alm SP - Low O<sub>2</sub> alarm setpoint
  - High Temp Alm SP - High temperature alarm setpoint
6. Press the *Left* arrow key several times to return to the main menu.
7. Repeat steps 2 through 6 for *PROBE 2* if configured for dual channel.

### 3.3.2 Configuring autocalibration with the Field Communicator

1. Use the 375/475 Field Communicator software to access the HART menu.
2. From the *DEVICE SETUP* menu, select *DETAILED SETUP*.
3. From the *DETAILED SETUP* menu, select *CAL SETUP*.
4. From *CAL SETUP*, select *Auto Cal*.
5. Press the *Right* arrow key to change the state from *NO* to *YES*.

## 3.4 Analog output configuration

The analog output signal from the Xi can be configured for the 4-20 mA range and fault condition.

An Xi shipped from the output has the analog outputs set to 4 to 20 mA range with a 3.5 mA alarm level. This same process must be performed any time a replacement transmitter board or I/O board is installed.

### 3.4.1 Configuring the analog output with the Xi keypad/display

1. Press the *MENU* button once.
2. From the main menu, select PROBE 1.
3. From PROBE 1, select DETAILED SETUP.
4. From the DETAILED SETUP menu, select ANALOG OUTPUT.
5. From ANALOG OUTPUT, select the following parameters:
  - O2 LRV - O<sub>2</sub> value at the lower analog output value (0 mA or 4 mA)
  - O2 URV - O<sub>2</sub> value at the upper analog output value (20 mA)
  - AO Range - Range of the analog output (0-20 mA or 4-20 mA)
  - Signal Alarm Level - O<sub>2</sub> alarm level (3.5 mA or 21.1 mA)

### 3.4.2 Configuring alarm relays with the Field Communicator

1. Use the 375/475 Field Communicator software to access the HART menu.
2. From the DEVICE SETUP menu, select DETAILED SETUP.
3. From the DETAILED SETUP menu, select ALARM RELAY.
4. From ALARM RELAY, select as follows:
  - Alm Relay1 - Alarm 1 mode
  - Alm Relay2 - Alarm 2 mode
  - Low O2 Alm SP - Low O<sub>2</sub> alarm setpoint
  - High Temp Alm SP - High temperature alarm setpoint
5. From CAL SETUP, select Cal Gas 2. Enter the percent O<sub>2</sub> used for the high O<sub>2</sub> test gas.

## 3.5 Autocalibration setup

If autocalibration is desired, the Xi must be used with either an SPS 4001B or IMPS 4000. The Xi must be properly configured before autocalibration can take place. Refer to the applicable SPS 4001B or IMPS 4000 instruction manual for details on performing autocalibration. Refer to [Chapter 4](#) for details on manual calibration procedures.

An Xi is shipped from the factory without autocalibration configured. This same process must be performed any time a replacement I/O board is installed.

## 3.6 Optional advanced features inside the Xi

Advanced features available inside the Xi are typically ordered as part of the initial package. However, these advanced features are also available for field retrofit.

An Xi is shipped from the factory with the optional enhanced software features enabled based on the configuration.

### **⚠ WARNING!**

**The I/O board is shipped from the factory without any of the enhanced software features activated. These features must be activated once the new board has been installed and before the remote interface is put into service.**

### **⚠ WARNING!**

**If the existing I/O board has been operated with the stoichiometric enhanced software feature, this feature must be activated in the new board before the remote interface is put back into service. Failure to do so will cause a false analog output signal to the DCS.**

### **NOTICE**

**For enhanced software feature option upgrades or to enable the feature to duplicate the existing configuration, contact Emerson at 1-800-433-6076. Reference the following:**

- **6A00269G01: Enhanced software option upgrade, stoichiometric function**
- **6A00269G02: Enhanced software option upgrade, programmable reference function**
- **6A00269G03: Enhanced software option upgrade, 800 °C process function**

### 3.6.1 Extended process temperature range to 1472 °F (800 °C)

The Oxygen Analyzer employs a heater and thermacouple to maintain a temperature setpoint at 1357 °F (736 °C). Temperature control is maintained within  $\pm 1$  °C to process temperatures of about 1300 °F (705 °C). This is satisfactory for most applications, but excursions to higher temperatures can occur in some processes. In these instances, the heater is turned off and the process temperature is used to heat the sensing cell.

The oxygen reading is adjusted immediately to compensate for the varying process temperatures. Cell life will be reduced by continuous operation at temperatures above 1300 °F (705 °C). If process temperatures are expected to be continuously above 1300 °F (705 °C), Emerson recommends the use of an optional bypass or probe mounting jacket accessory. The extended temperature range feature is selected in the Xi product matrix, but may not be purchased as a field retrofit.

## 3.6.2 Stoichiometer

Process upsets can sometimes cause a combustion process to go into sub-stoichiometric or reducing conditions. The oxygen readings from one or more probes may decline all the way to zero. The stoichiometer cell will measure the amount of oxygen deficiency during these reducing conditions. The trends in your DCS can be set up for a lower range limit of -1 or -2% oxygen to depict the level of oxygen deficiency.

You can see if your control recovery actions are having the desired effect. These types of events do not occur frequently, but knowing the parameters of the situation prevents over-correcting while coming out of the reducing condition. The stoichiometer feature requires purchasing the acid resistant stoichiometer cell and the stoichiometer feature inside the Xi.

### NOTICE

**Make sure the DCS is configured for the same range as the Xi. For instance: -1% O<sub>2</sub> to 10% O<sub>2</sub>.**

## 3.6.3 Programmable reference

The zirconium oxide sensing technology has historically measured process oxygen by using ambient or instrument air as a reference (20.95% oxygen). The sensor develops most of its signal at the low oxygen levels typically found in combustion flue gases (2 to 4% oxygen) and is most accurate at these levels. When measuring near 20.95% O<sub>2</sub>, the sensor develops only a few millivolts of signal, and accuracy degrades.

The programmable reference feature permits you to use a bottled reference gas of low oxygen value (0.4% oxygen recommended). When measuring at or near 21% oxygen, a strong negative oxygen signal results with much improved accuracy. A bottle of reference gas typically lasts about a month at the low flows required. Typical applications would be:

- Flue gas recirculation - controlling the mixing of flue gases into the burner windbox ahead of the burner to reduce NO<sub>x</sub> emissions.
- Moisture monitoring - measuring the amount of moisture coming off of industrial dryers by noting that the dilution effect water vapor has on the normal 20.95% ambient drying air (non-combustion drying processes only).
- Enriched oxygen concentration - pure oxygen is sometimes mixed in with the combustion air to increase heat at the flame. This is used in steel and other metals reduction processes and in some catalyst regenerators.



# 4 Startup and operation

## 4.1 Overview

Interface to the Xi for setup, calibration, and diagnostics can be via a 375/475 Field Communicator or Asset Management System.

Setup, calibration, and diagnostic operations differ depending on the selected interface for communications with the transmitter.

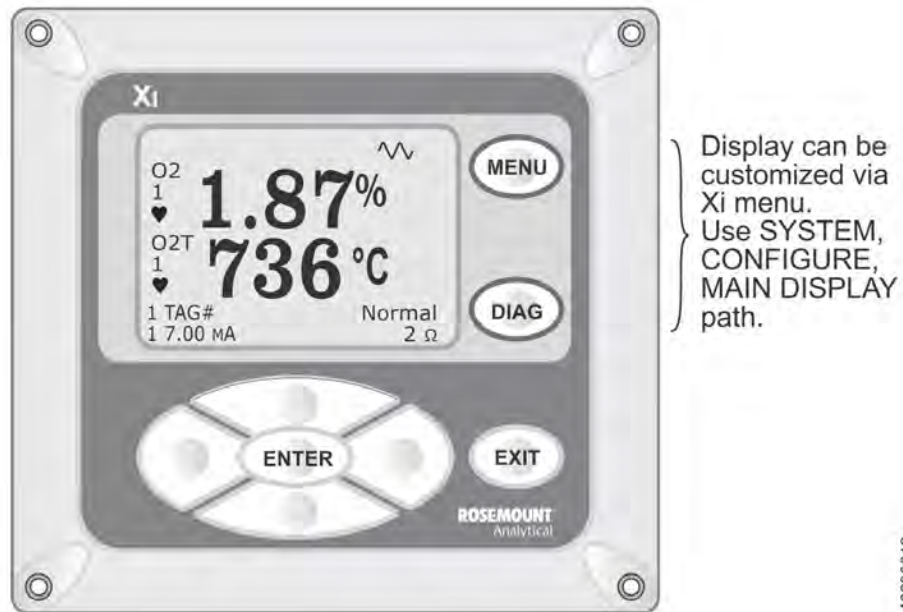
## 4.2 Startup

The O<sub>2</sub> probe takes approximately 45 minutes to warm up to the 1357 °F (736 °C) heater setpoint. The 4-20 mA signal remains at a default value of 3.5 mA through this warmup period. Once warm, the O<sub>2</sub> reads oxygen, and the 4-20 mA signal's reading is based on the default range of 0-10% O<sub>2</sub>.

### **NOTICE**

**The Xi offers optional advanced features, such as elevated process temperature capability to 1472 °F (800 °C), autocalibration via an SPS solenoid vox, a stoichiometer feature for indicating the level of oxygen deficiency in reducing conditions, and programmable reference to enhance accuracy at near ambient levels of O<sub>2</sub>.**

---

**Figure 4-1: Xi display (typical)**

### 4.2.1 Operation via Xi

The following procedures describe operations using the Xi to set up and calibrate the system. Additional operating instructions are included in the *SPS 4001B* or *IMPS 4000* instruction manual, if applicable to your system.

### 4.2.2 Error conditions

If there is an error condition at startup, an alarm message is displayed. Refer to [Chapter 5](#) to determine the cause of the error. Clear the error and cycle power. The %O<sub>2</sub> and temperature display should return without the alarm message.

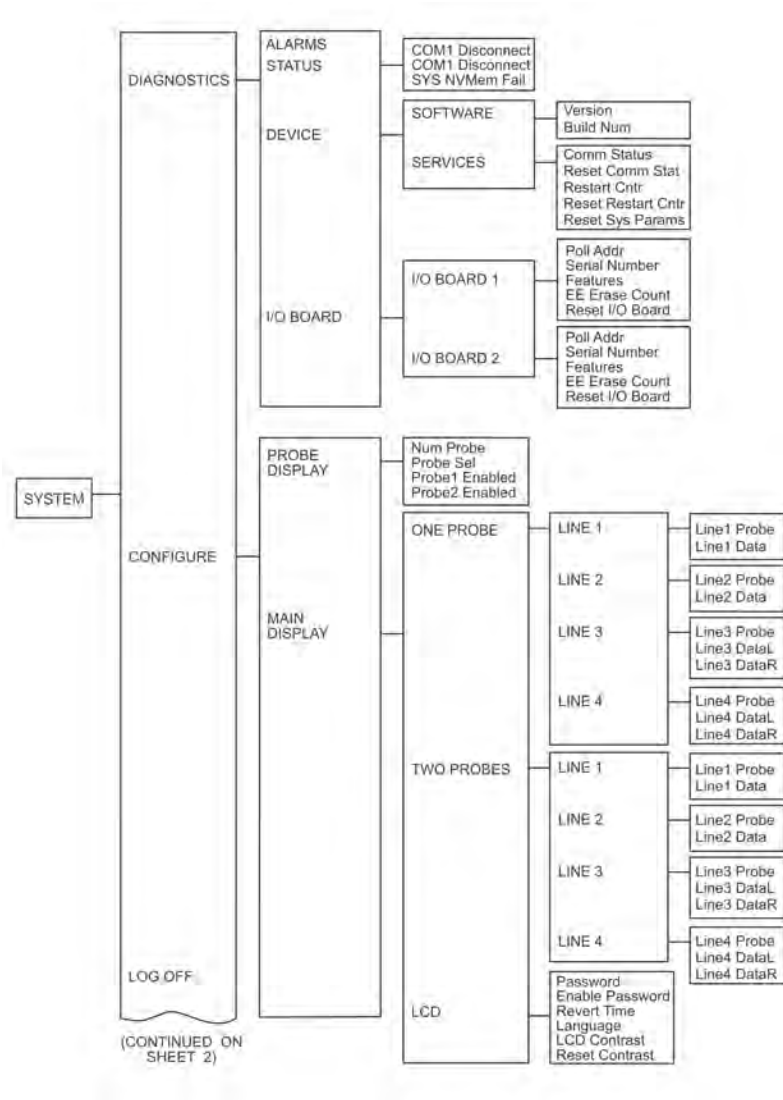
### 4.2.3 Xi Controls

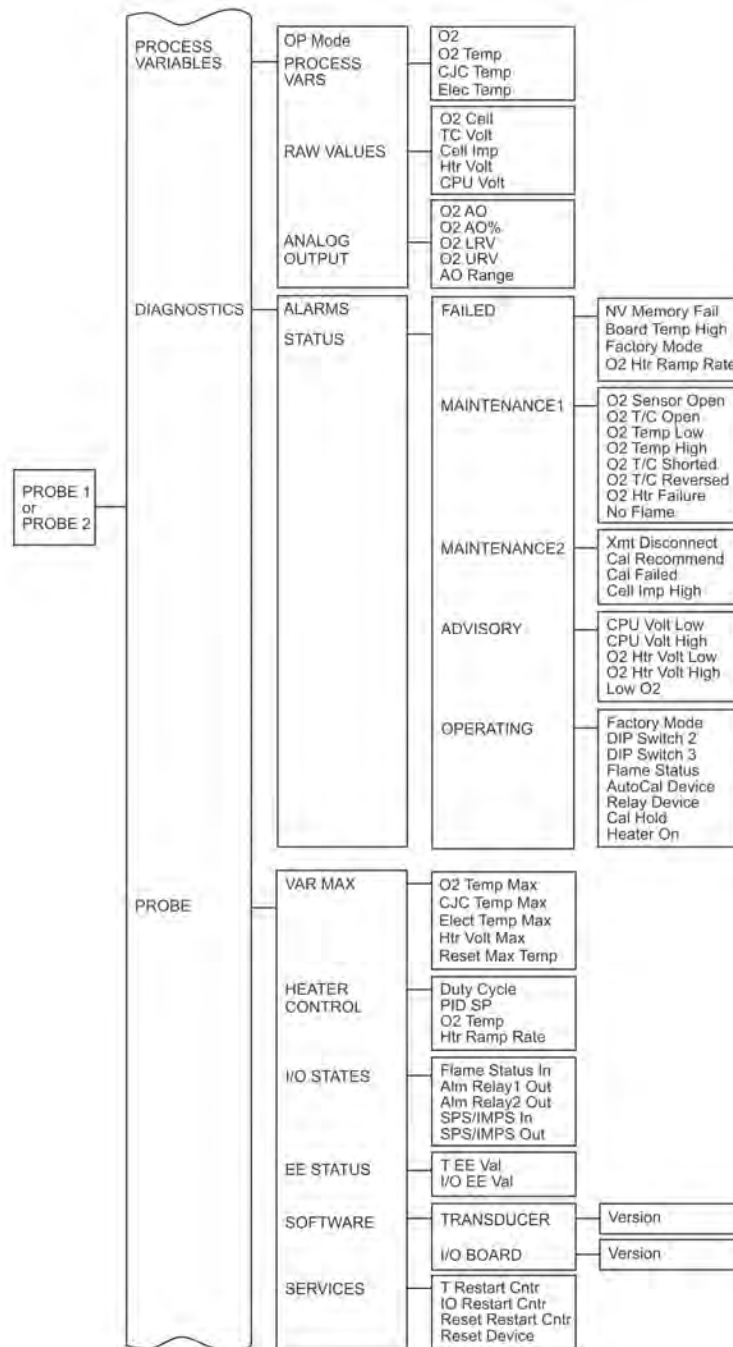
The Xi can be used to change the software and alarm settings, to adjust the high and low gas settings, and to initiate the calibration sequence. Refer to the following control descriptions. Use the control keys on the front panel of the Xi ([Figure 4-1](#)) to navigate and edit the Xi menu ([Figure 4-2](#)).

- *MENU* toggles between three main menu options: *System*, *Probe1*, and *Probe2* (if available). The top level of the selected main menu is displayed.
- *DIAG* toggles between the *Alarms* list of the three main menus. All faults and warnings related to the selected main menu device are displayed.
- *ENTER* saves newly entered data and returns you to the previous menu level.

- *EXIT* returns you to the previous menu level without saving newly entered data. When navigating the menu tree, pressing *EXIT* returns you to the main menu.
- *Up/Down* keys scroll up and down through menu items. During data entry, the *Up/Down* keys increment and decrement the data values.
- *Left* arrow key returns you to the previous menu level. During data entry, the *Left* arrow key moves the cursor one digit to the left.
- *Right* arrow key advances you to the next menu level and, when a menu item is highlighted, selects the item from a list of menu options. During data entry, the *Right* arrow key moves the cursor one digit to the right.

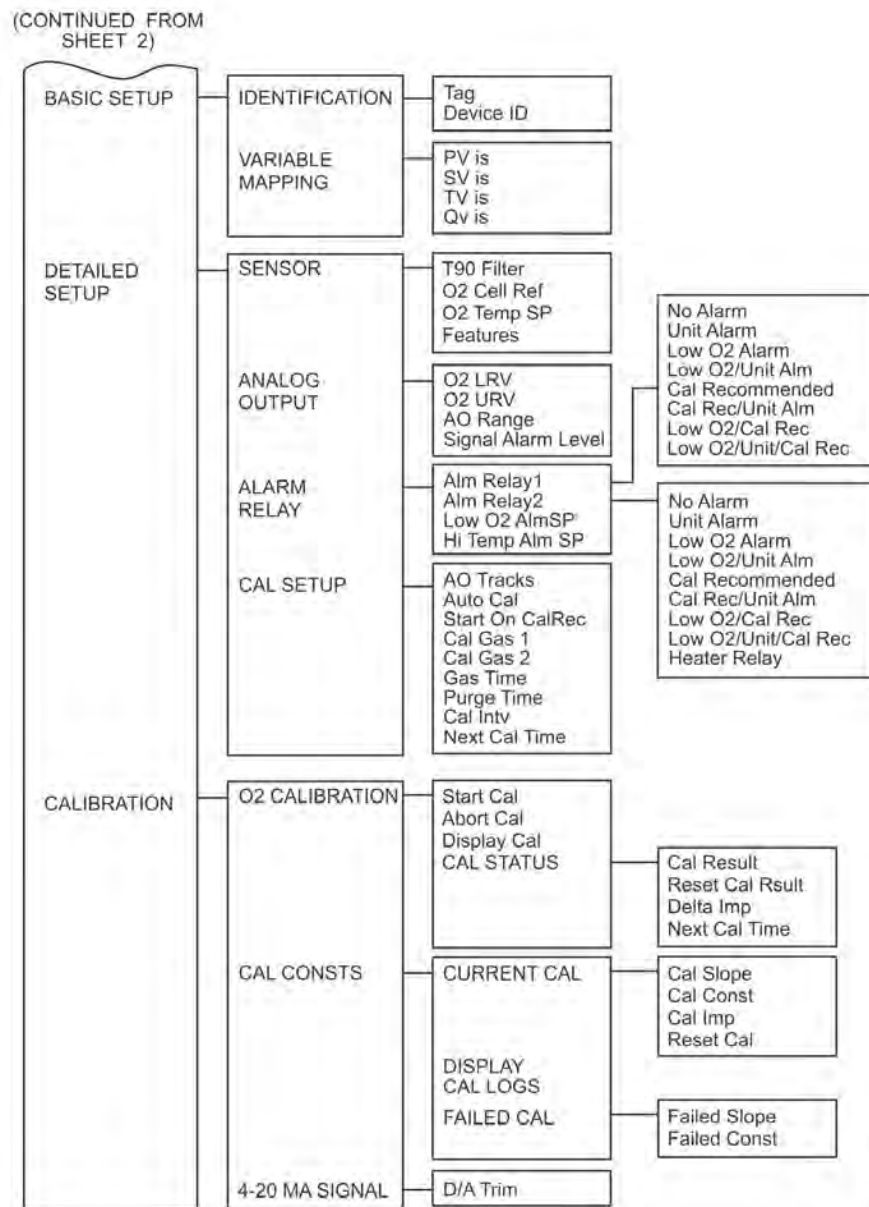
Figure 4-2: Xi menu





(CONTINUED ON SHEET 3)

40050004



39840008

## 4.2.4 Password protection

Beginning with Xi system software version 1.05 or higher, the main display and diagnostic screens of the Xi can be viewed at any time, but further access and unauthorized configuration changes can be prevented by enabling a password protection feature. However, the Xi is shipped with password protection disabled.

Password protection can be enabled by selecting **System Main Menu > Configure > LCD > Enable Password** (see [Figure 4-2](#)).

The factory default upon enabling the password protection is *ROSE*, but the password can consist of any 4 alpha/numeric characters.

If you forget the password, call Rosemount technical support at 800-433-6076 to gain access to a master password.

A *Lock* icon is displayed at the top right corner of the main display when password protection is in effect.

The password protection relocks itself after a certain number of seconds with no button pushes (defined as *revert time* in the same *LCD setup* menu). You can also force the front panel to be locked by selecting **System Main Menu > Log Off**. The *Log Off* selection performs on function if the password feature is disabled.

The Xi has a *Reset* function that reestablishes all factory default conditions, including the password protection feature, i.e., the password protection falls back to a disabled condition after a reset.

## 4.3 System parameter descriptions

Among the parameters available through the Xi and 375/475 Field Communicator menus are a number of *system parameters*. The system parameters define variables that configure the Xi in the transmitter system. System parameters are described in the following table.

**Table 4-1: System parameters**

CPU	Parameter name	Units	Parameter description
Y	Version	---	Software version number for the CPU board
Y	Build Num	---	Software build number for the CPU board
Y	Comm Status	---	Communication status between the CPU and I/O boards
Y	Restart Cntr	---	Software restarts counter for the CPU board
N	Pol Addr	---	Polling address - address used to identify a field device; changeable by user
N	Serial Number	---	I/O board serial number
N	Features	---	Available advanced software features for the I/O board. ON: feature supported. OFF: feature not supported.
N	EE Erase Count	---	This is for nonvolatile memory diagnostic only.

**Table 4-1: System parameters (continued)**

CPU	Parameter name	Units	Parameter description
Y	Num Probe	---	Number of probes configuration: If set to 1, use One Probe configuration for the main display. If set to 2, use Two Probes configuration for the main display.
Y	Probe Sel	---	This parameter is applicable only if the Num Probe configuration is set to 2. It defines which probe is to be displayed.
Y	Probe 1 Enable	---	Probe 1 state. If enabled, the probe menu will be displayed; otherwise it will not be displayed. (No, Yes)
Y	Probe 2 Enable	---	Probe 2 state. If enabled, the probe menu will be displayed; otherwise it will not be displayed (No, Yes)
Y	LineX Probe	---	Probe number for line x. (1, 2)
Y	Line 1 Data	---	Main display, line 1 data; 0 displays PV (O <sub>2</sub> ), 1 displays SV (O <sub>2</sub> temp)
Y	Line 2 Data	---	Main display, line 1 data; 0 displays PV (O <sub>2</sub> ), 1 displays SV (O <sub>2</sub> temp)
Y	Line 3 DataL	---	Main display, line 3 left hand side data: 0 displays PV (O <sub>2</sub> ) 1 displays SV (O <sub>2</sub> temp) 2 displays TV (cell imp) 3 displays 4 V (cell mV) 4 displays CJC temp 5 displays AO 6 displays OP mode 7 displays Tag
Y	Line 3 DataR	---	Main display, line 3 right hand side data 0 displays PV (O <sub>2</sub> ) 1 displays SV (O <sub>2</sub> temp) 2 displays TV (cell imp) 3 displays 4 V (cell mV) 4 displays CJC temp 5 displays AO 6 displays OP mode 7 displays Tag



Table 4-1: System parameters (continued)

CPU	Parameter name	Units	Parameter description
Y	Line 4 DataL	---	Main display, line 4 left hand side data 0 displays PV (O <sub>2</sub> ) 1 displays SV (O <sub>2</sub> temp) 2 displays TV (cell imp) 3 displays 4 V (cell mV) 4 displays CJC temp 5 displays AO 6 displays OP mode 7 displays Tag
Y	Line 4 DataR	---	Main display, line 4 right hand side data 0 displays PV (O <sub>2</sub> ) 1 displays SV (O <sub>2</sub> temp) 2 displays TV (cell imp) 3 displays 4 V (cell mV) 4 displays CJC temp 5 displays AO 6 displays OP mode 7 displays Tag
Y	Revert time	min	Xi display reverts to main display time. Also locks screen if password protection is enabled.
Y	Language	---	0 displays English 1 displays Spanish 2 displays German
Y	Contrast	---	Display contrast (120 to 200)
Y	Alarms	---	See <a href="#">Chapter 5</a>
Y	Password	---	Security password
Y	Enable password	---	Enables/disables security password protection

## 4.4 Probe parameter descriptions

Among the parameters available through the Xi and 375/475 Field Communicator menus are a number of *Probe Parameters*. The probe parameters define variables that configure a specific probe in the transmitter system. Probe parameters are described in the following table:

**Table 4-2: Probe parameters**

TX	I/O	Parameter name	Units	Parameter description
Y	Y	O2	%	Current oxygen concentration value (O <sub>2</sub> %). The value should reflect the last good O <sub>2</sub> value if it is in the <i>Lock</i> state during calibration.
Y	Y	O2 Temp	°C	Current O <sub>2</sub> sensor temperature.
Y	Y	CJC Temp	°C	Current cold junction temperature.
N	Y	Elec Temp	°C	Current electronic temperature measured at the I/O board.
Y	Y	O2 Cell	mV	Raw mV value for ZrO <sub>2</sub> sensor.
N	Y	TC Volt	mV	O <sub>2</sub> T/C voltage.
Y	Y	Cell Imp	Ohm	Cell impedance/sensor resistance measured.
Y	Y	Htr Volt	Volt	Heater voltage
Y	Y	CPU Volt	Volt	Transmitter CPU voltage.
Y	Y	O2 AO	mA	Analog output value represents the O <sub>2</sub> concentration measurement.
N	Y	O2 AO%	%	O <sub>2</sub> analog output percentage for O <sub>2</sub> AO
Y	Y	O2 Temp Max	°C	This is the highest O <sub>2</sub> sensor temperature reached since last reset.
Y	Y	CJC Temp Max	°C	This is the highest temperature reached at the cold junction since last reset.
N	Y	Elec Temp Max	°C	This is the highest temperature reached at the I/O board since last reset.
Y	Y	Htr Volt Max	°C	This is the highest heater voltage reached since last reset.

Table 4-2: Probe parameters (continued)

TX	I/O	Parameter name	Units	Parameter description
Y	Y	Htr Duty Cycle	---	O <sub>2</sub> heater duty cycle. Value between 0 and 1.
Y	Y	PID SP	° C	PID temperature set point.
Y	Y	Htr Ramp Rate	° C/s	Heater ramp rate calculated in degree C per second.
N	Y	Flame Stat In	---	Flame input state. (OFF/ON)
N	Y	SPS/IMPS In	---	SPS/IMPS input state. (OFF/ON)
N	Y	SPS/IMPS out	---	SPS/IMPS output state. (OFF/ON)
N	Y	Alm Relay 1 Out	---	Alarm Relay 1 output state.
N	Y	Alarm Relay 2 Out	---	Alarm Relay 2 output state. (OFF/ON)
Y	Y	OP Mode	---	Device operating mode: PO = Power up; WU = Warm up (analog output is railed); NM = Normal operation; CA = Calibrating (analog output can be tracking or locked at last good value based on AO Tracks configuration; AL = Alarm detected (recoverable); SF=Alarm detected (non-recoverable)
Y	Y	Tag	---	Device tag
Y	Y	Device ID	---	Unique device ID number (HART)
Y	Y	PV is	---	Primary variable assignment (HART)
Y	Y	SY is	---	Secondary variable assignment (HART)
Y	Y	TY is	---	Third variable assignment (HART)
Y	Y	QV is	---	Fourth variable assignment (HART)
Y	Y	Cal Slope	mV/Dec	Current calibration slope. This is the slope value that was calculated as a result of the last successful calibration.

**Table 4-2: Probe parameters (continued)**

<b>TX</b>	<b>I/O</b>	<b>Parameter name</b>	<b>Units</b>	<b>Parameter description</b>
Y	Y	Cal Const	mV	Current calibration constant. This is the constant value that was calculated as a result of the last successful calibration.
Y	Y	Cal Imp	Ohm	Cell impedance. This is the sensor resistance that was calculated as a result of the last successful calibration.
N	Y	Prev Slope	mv/Dec	Previous calibration slope. There are ten calibration results. 1 is the most recent, and 10 is the least recent calibration slope.
N	Y	Prev Const	mV	Previous calibration constant. There are ten calibration results. 1 is the most recent, and 10 is the least recent calibration constant.
N	Y	Prev Cal Imp	Ohm	Previous cell impedance. This is the sensor resistance that was calculated as a result of the previous successful calibration. There are ten calibration results. Index 1 is the most recent, and Index 10 is the least recent sensor resistance measured.
N	Y	Failed Slope	mV/Dec	Failed calibration slope.
N	Y	Failed Const	mV	Failed calibration constant.
Y	Y	Cal Result	mV	Calibration result.
N	Y	Delta Imp	---	Delta impedance since last calibration.
N	Y	Cal Step	---	This represents the step the calibration cycle is in.
N	Y	Time remain	sec	Time remaining in the present calibration cycle state.
Y	Y	O2 slope	mV/Dec	O <sub>2</sub> slope. This is the slope value that will be used to calculate O <sub>2</sub> .
Y	Y	O2 Const	mV	O <sub>2</sub> constant. This is the constant value that will be used to calculate O <sub>2</sub> .

Table 4-2: Probe parameters (continued)

TX	I/O	Parameter name	Units	Parameter description
N	Y	T90 filter	sec	Analog output T90 time. It represents the time to take a step change in oxygen to reach 90% of the final value at the filter output.
N	Y	O2 Cell Ref	%	O <sub>2</sub> sensor reference gas percentage. It allows a sensor reference gas other than air.
N	Y	O2 Temp SP	deg C	O <sub>2</sub> sensor set point. It allows measurement of oxygen with an elevated sensor temperature. (0 = 736 deg C set point; 1 = 834 deg C set point)
N	Y	Features	---	Advanced software features (0=Stoichiometer; 1=Programmable Reference; 2=Elevated Temperature)
Y	Y	O2 URV	%	Primary variable (O <sub>2</sub> %) upper range value
Y	Y	O2 LRV	%	Primary variable (O <sub>2</sub> %) lower range value
N	Y	O2 AO Range	---	Analog output polarity. (0 = 4-20 mA; 1 = 20-4 mA)
Y	Y	O2 Alarm Level	---	O <sub>2</sub> alarm level. (0 = 3.5 mA; 1 = 21.1 mA)
N	Y	Alarm Relay 1	---	Alarm Relay 1 mode. (no alarm; unit alarm; low O <sub>2</sub> alarm; low O <sub>2</sub> /unit alarm; Cal recommended; Cal recommended/unit alarm; low O <sub>2</sub> /Cal recommended, low O <sub>2</sub> /unit alarm/Cal recommended.)
N	Y	Alarm Relay 2	---	Alarm Relay 2 mode. (no alarm; unit alarm; low O <sub>2</sub> alarm; low O <sub>2</sub> /unit alarm; Cal recommended; Cal recommended/unit alarm; low O <sub>2</sub> /Cal recommended, low O <sub>2</sub> /unit alarm/Cal recommended; Heater relay)
N	Y	Low O <sub>2</sub> Alm	%	Low O <sub>2</sub> alarm threshold.

**Table 4-2: Probe parameters (continued)**

<b>TX</b>	<b>I/O</b>	<b>Parameter name</b>	<b>Units</b>	<b>Parameter description</b>
N	Y	Hi Temp Alm	%	High temperature alarm threshold.
N	Y	AO Tracks	---	Analog output track O <sub>2</sub> sensor measurement during a calibration. (No, Yes)
N	Y	Auto Cal	---	Enable/disable automatic calibration. No = Set to manual calibration mode. Yes = Set to automatic calibration mode.
N	Y	Start On CalRec	---	Start automatic calibration on Cal Recommended state. (No, Yes)
Y	Y	Cal Gas 1	%	Test Gas 1 value. This is the actual value of the gas being applied during the Test Gas 1 phase of a calibration.
Y	Y	Cal gas 2	%	Test Gas 2 value. This is the actual value of the gas being applied during the Test Gas 2 phase of a calibration.
Y	Y	Gas Time	sec	Test Gas application time. This is the length of time test gases are applied to the O <sub>2</sub> probe during low or high Test Gas phase of a calibration.
Y	Y	Purge Time	sec	Test Gas purge time. This is the length of time before the output will be returned to the process reading after a calculation.
N	Y	Cal Interval	hr	Automatic calibration interval. The number 9999 disables the automatic timed calibration.
N	Y	Next Cal Time	hr	Automatic calibration interval. The number 9999 disables the automatic timed calibration.
Y	Y	T EE Val	---	Transmitter board nonvolatile memory diagnostic

Table 4-2: Probe parameters (continued)

TX	I/O	Parameter name	Units	Parameter description
N	Y	IO EE Val	---	I/O board nonvolatile memory diagnostic
Y	Y	Version	---	Software version number for the transmitter.
N	Y	Version	---	Software version number for the I/O board.
Y	Y	T Restart Cntr	---	Software restarts count for the transmitter.
N	Y	IO Restart Cntr	---	Software restarts count for the I/O board.
Y	Y	Alarms	---	Current alarms (see <a href="#">Chapter 5</a> ).

## 4.5 Operation via HART/AMS

The 375/475 Field Communicator is a handheld communications interface device. It provides a common communications link to all microprocessor-based instruments that are HART compatible. The handheld communicator contains a liquid crystal display (LCD) and 21 keys. A pocket-sized manual, included with the 375/475 Field Communicator, details the specific functions of all the keys.

The 375/475 Field Communicator accomplishes its task using a frequency shift keying (FSK) technique. With the use of FSK, high-frequency digital communications signals are superimposed on the Xi's 4-20 mA current loop. The 375/475 Field Communicator does not disturb the 4-20 mA signal, as no net energy is added to the loop.

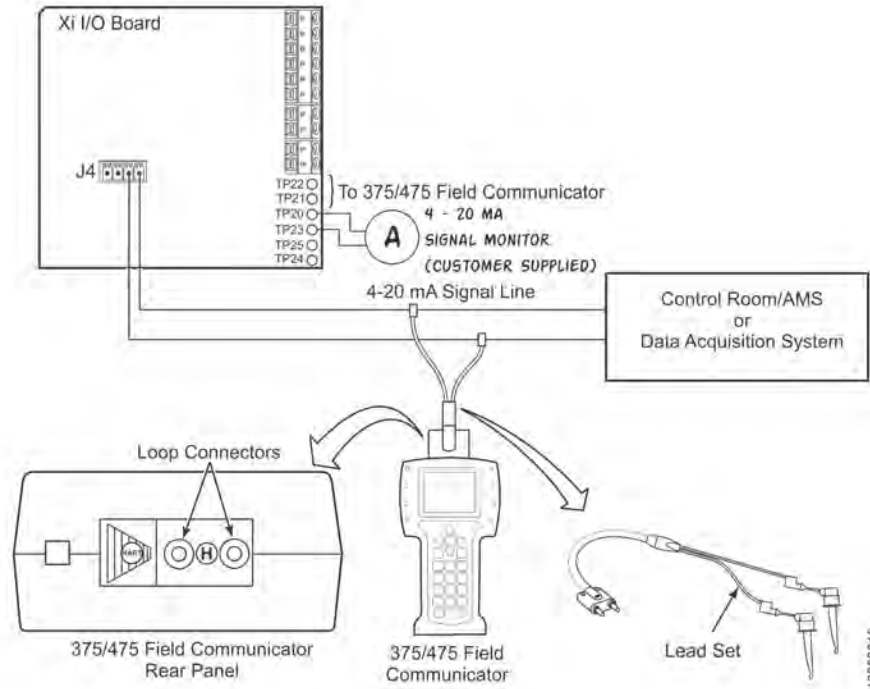
### NOTICE

**The 375 Field Communicator must be upgraded to System Software 2.0 with Graphic License for operation with the Xi. The AMS software must be upgraded to AMS 8.0 or above for operation with the Xi.**

**Contact Emerson's Global Service Center (GSC) at 1-800-833-8314 to upgrade the 375 Field Communicator software to System Software 2.0 with Graphic License.**

### 4.5.1 Field communicator signal line connections

When working at the Xi, the 375/475 Field Communicator can be connected directly to test points TP21 and TP22 on the Xi I/O board as shown in [Figure 4-3](#). The AM+ and AM- test points are provided to monitor the 4-20 mA signal without breaking into the loop.

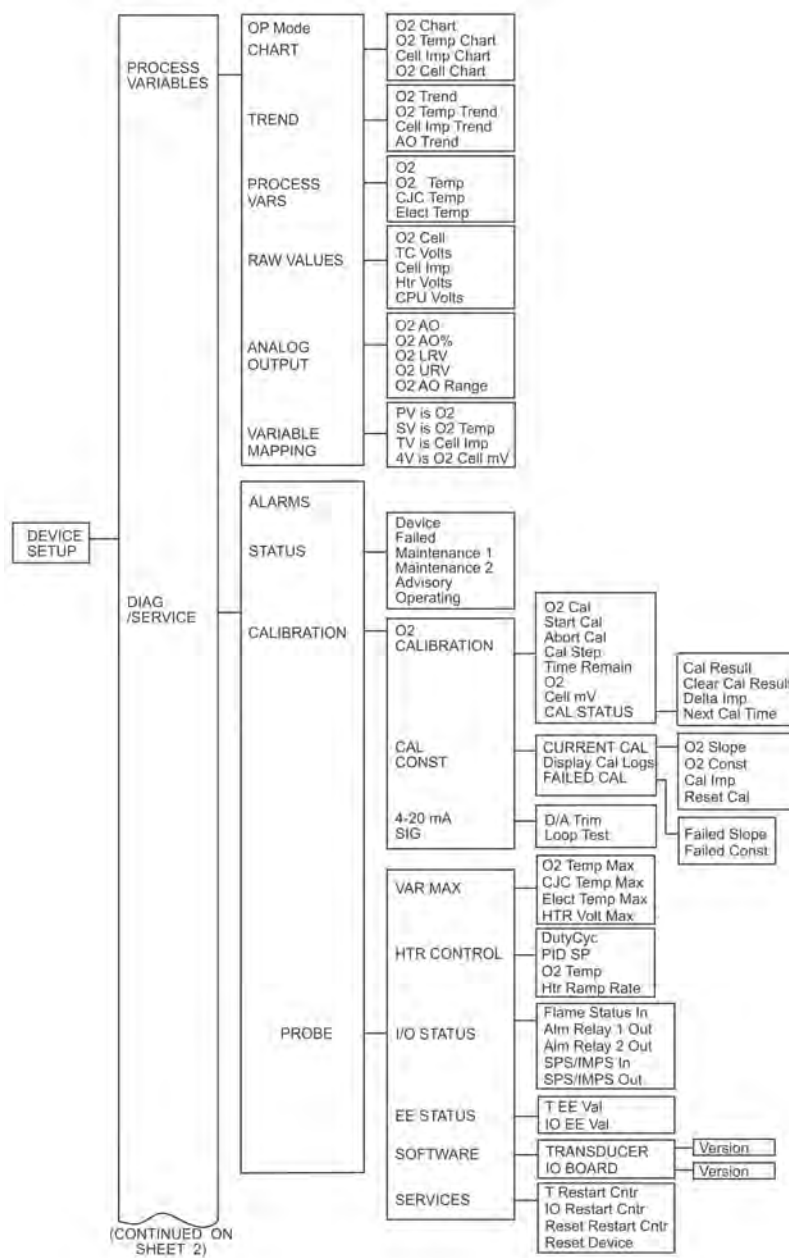
**Figure 4-3: 375/475 Field Communicator connection at the Xi**

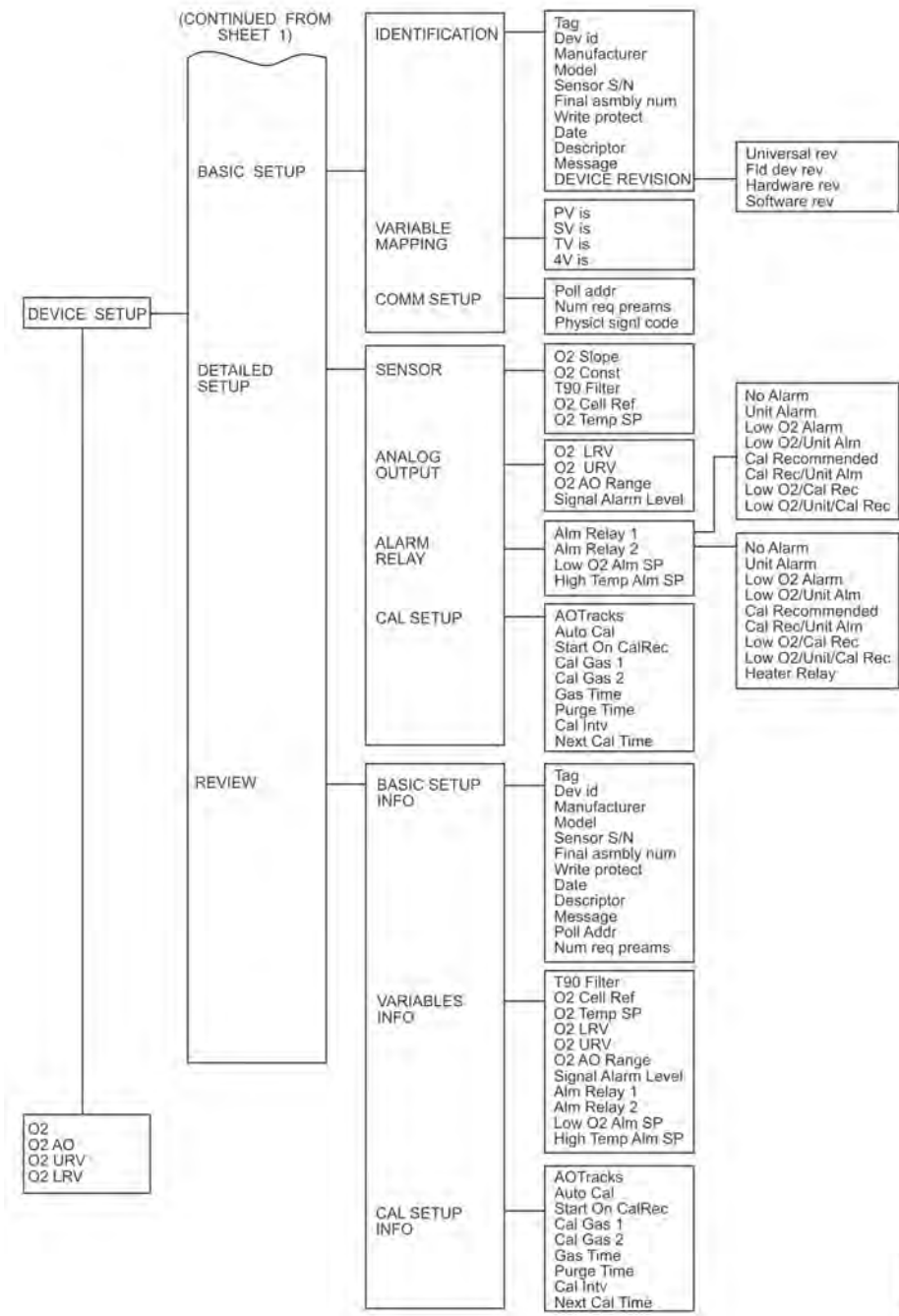
## 4.5.2 Field Communicator menu trees

Connect the 375/475 Field Communicator in the Xi (Xi-to-DCS) 4-20 mA signal loop or to the Xi terminals shown in [Figure 4-3](#) and refer to [Figure 4-4](#) for the 375/475 Field Communicator Xi menu tree.



Figure 4-4: 375/475 Field Communicator Xi menu tree





## 4.6 Offline and online operations

The 375/475 Field Communicator can be operated both offline and online.

Offline operations are those in which the communicator is not connected to the O<sub>2</sub> probe. Offline operations include interfacing the 375/475 Field Communicator with a PC (refer to applicable HART documentation regarding HART/PC applications).

In the online mode, the 375/475 Field Communicator is connected to the 4-20 mA analog output signal line. The communicator is connected in parallel to the O<sub>2</sub> probe or in parallel to the 250 ohm load resistor.

## 4.7 Calibration - general

New O<sub>2</sub> cells may operate for more than a year without requiring calibration, but older cells may require recalibration every few weeks as they near the end of their life.

A *CALIBRATION RECOMMENDED* alarm provides notice of when a calculation is required. This strategy ensures that the O<sub>2</sub> reading is always accurate and eliminates many unnecessary calibrations based on calendar days or weeks since previous calibration.

The O<sub>2</sub> probe(s) can be calibrated manually through the handheld 375/475 Field Communicator or the Xi. Fully automatic calibration can be performed automatically using the Xi and the SPS 4001B Single Probe Autocalibration Sequencer or the IMPS 4000 Intelligent Multiprobe Sequencer.

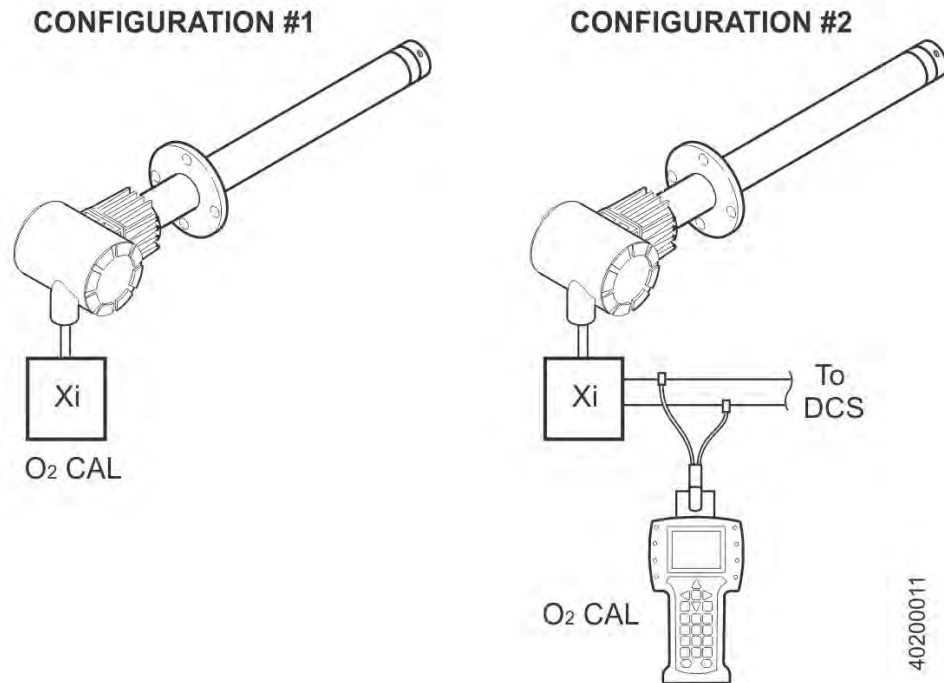
## 4.8 O<sub>2</sub> calibration

This section covers manual calibration. For automatic calibration details, see the Instruction Manual for the SPS 4001B Single Probe Autocalibration Sequencer or the IMPS 4000 Intelligent Multiprobe Test Gas Sequencer.

Calibration can be performed using three basic calibration methods. The methods available to you for use depend on the configuration of your system. The sections that follow describe how to perform a calibration for two basic system configurations shown in [Figure 4-5](#).

Included in the calibration procedures are instructions for setting up the calibration parameters. Setup of the calibration parameters should be performed before the first O<sub>2</sub> calibration. Thereafter, perform calibration setup only as needed to change the calibration parameters or to reset the parameters following the replacement of primary system components.

Before calibrating, verify that the configuration gas parameters are correct. Refer to [Chapter 3](#).

**Figure 4-5: Calibration methods, simplified**

### 4.8.1 O<sub>2</sub> calibration with Xi

For systems with configuration 1, shown in [Figure 4-5](#), use the following procedure to perform a calibration using the Xi. If necessary, use the Xi menu tree in [Figure 4-2](#) for reference.

#### **NOTICE**

**To select a menu item, use the up and down arrow keys to scroll to the menu item and press the right arrow key to select the menu item. To return to a preceding menu, press the left arrow key.**

#### **Procedure**

1. From the Main Menu, select SYSTEM to access the Xi System menu.
2. From the Xi SYSTEM menu, scroll down and select DETAILED SETUP.
3. Select menu item 4, CAL SETUP, to input the cal gas and flow times.
4. Return to the SYSTEM menu and select the last menu item, CALIBRATION, to access the CALIBRATION menu.
5. From the O<sub>2</sub> CALIBRATION options, select Start Cal to start the O<sub>2</sub> calibration procedure.

**⚠ WARNING!**

**Failure to remove the Xi from automatic control loops prior to performing this procedure may result in a dangerous operating condition.**

In the first Start Cal screen, a "Loop should be removed from automatic control" warning appears.

6. Remove the Xi from any automatic control loops to avoid a potentially dangerous operating condition and press OK.
7. Follow the Xi display prompts to perform the O<sub>2</sub> cal procedure.

## 4.8.2 O<sub>2</sub> calibration with Xi and Field Communicator

For systems with configuration 2, shown in [Figure 4-5](#), use the following procedure to perform a calibration of the system using the 375/475 Field Communicator. If necessary, use the menu tree in [Figure 4-2](#) for reference.

**NOTICE**

**To select a menu item, use the up and down arrow keys to scroll to the menu item and press the right arrow key to select the menu item. To return to a preceding menu, press the left arrow key.**

**Procedure**

1. Select DEVICE SETUP.
2. From the DEVICE SETUP screen, select menu item 4, DETAILED SETUP.
3. Select menu item 3, CAL SETUP, to input the cal gas and gas flow times.
4. Return to the DEVICE SETUP screen and select menu item 2, DIAG/SERVICE.
5. From the DIAG/SERVICE screen, select menu item 3, CALIBRATION, to access the O<sub>2</sub> CALIBRATION screen.
6. From the O<sub>2</sub> CALIBRATION screen, select menu item 1, O<sub>2</sub> CAL, to access the O<sub>2</sub> calibration procedure.

**⚠ WARNING!**

**Failure to remove the Xi from automatic control loops prior to performing this procedure may result in a dangerous operating condition.**

In the first O<sub>2</sub> CAL screen, a "Loop should be removed from automatic control" warning appears.

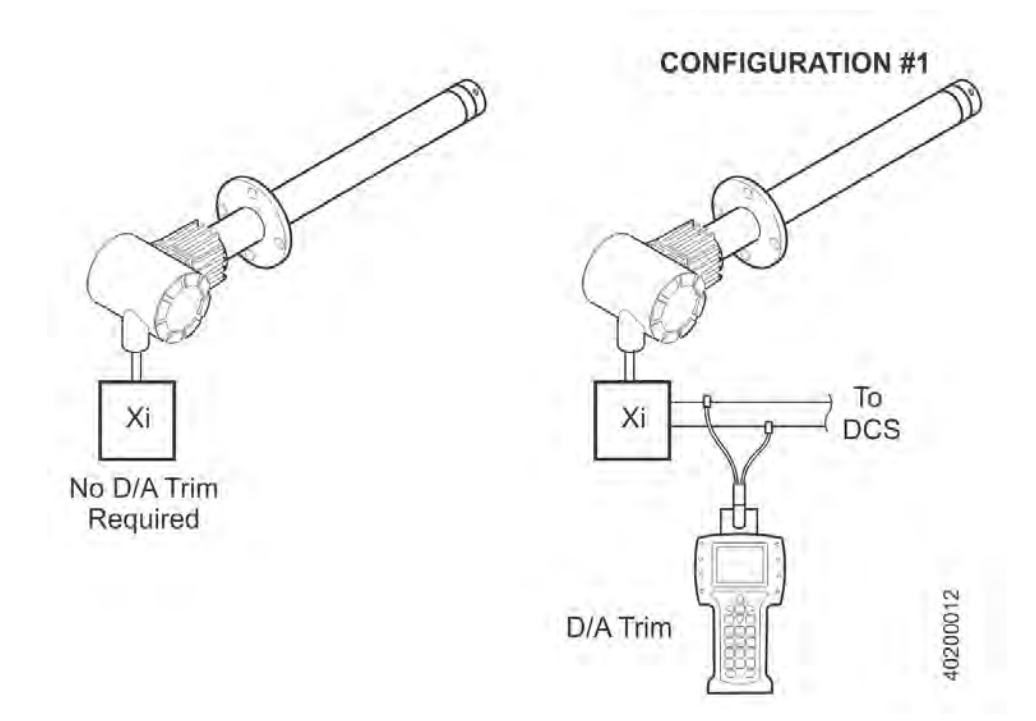
7. Remove the Xi from any automatic control loop to avoid a potentially dangerous operating condition and press OK.
8. Follow the handheld 375/475 Field Communicator display prompts to perform the O<sub>2</sub> cal procedure.

## 4.9 D/A trim

The D/A trim procedure is used to calibrate the 4-20 mA output signal to a precision mA measurement device.

The procedure that follow describe how to perform a D/A trim for the basic system configuration shown in [Figure 4-6](#). Only the signal to the DCS needs to be trimmed.

**Figure 4-6: D/A trim methods, simplified**



### 4.9.1 D/A trim with Xi

For systems with configuration 1, shown in [Figure 4-6](#), use the handheld 375/475 Field Communicator to access the D/A trim procedure according to the instructions that follow. Refer to the 375/475 Field Communicator Xi menu tree in [Figure 4-2](#).

#### Procedure

1. From the DEVICE SETUP screen, select menu item 2, DIAG/SERVICE, to access the diagnostics and service menu options.
2. Select menu item 3, CALIBRATION, to access the calibration menu options.
3. Select menu item 3, 4-20 mA SIG, to access the 4-20 mA SIGNAL screen.
4. Select menu item 1, D/A TRIM, to start the trim procedure.

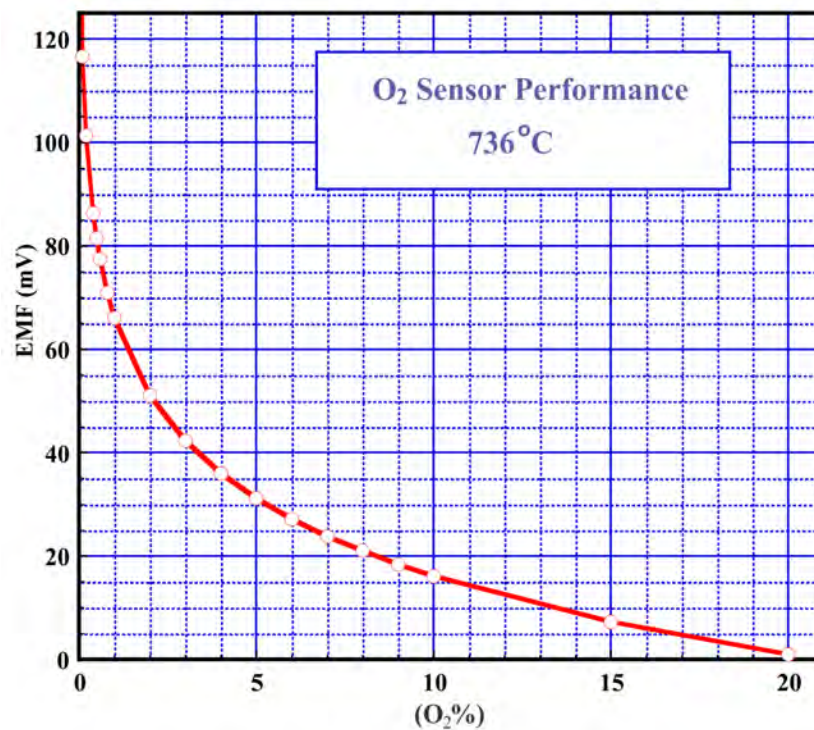
# 5 Troubleshooting

## 5.1 Overview of operating principles

When the Zirconium Oxide sensing cell is heated to its setpoint [1357 °F (736 °C)], the cell generates a voltage that represents the difference between the process O<sub>2</sub>% and the reference O<sub>2</sub>% inside the probe (20.95% O<sub>2</sub> instrument air).

When flowing calibration gases, the raw cell millivolt value should represent the levels on the chart in *Figure 5-1*. Note that the raw cell millivolt value increases logarithmically as the O<sub>2</sub> concentration decreases.

**Figure 5-1: O<sub>2</sub> sensor mV reading vs %O<sub>2</sub> at 1357 °F (736 °C) (Reference air, 20.95% O<sub>2</sub>)**



O <sub>2</sub> %	EMF (mV)
100	-34
20	1.0
15	7.25
10	16.1
9	18.4

O <sub>2</sub> %	EMF (mV)
8	21.1
7	23.8
6	27.2
5	31.2
4	36.0
3	42.3
2	51.1
1	66.1
0.8	71.0
0.6	77.5
0.5	81.5
0.4	86.3
0.2	101.4
0.1	116.6
0.01	166.8

## 5.2 General

### **⚠ WARNING!**

#### **ELECTRIC SHOCK**

**Install all protective equipment covers and ground leads after troubleshooting. Failure to install covers and ground leads could result in serious injury or death.**

Consider the following equipment conditions, features, and requirements when troubleshooting a problem.

### 5.2.1 Grounding

It is essential that adequate grounding precautions are taken when installing the system. Thoroughly check both the probe and electronics to ensure the grounding quality has not degraded during fault finding. The system provides facilities for 100% effective grounding and the total elimination of ground loops.

### 5.2.2 Electrical noise

The Xi has been designed to operate in the type of environment normally found in a boiler room or control room. Noise suppression circuits are employed on all field terminations and main inputs. When fault finding, evaluate the electrical noise being generated in the immediate circuitry of a faulty system. Ensure all cable shields are connected to earth.



### 5.2.3 Electrostatic discharge

Electrostatic discharge can damage the ICs used in the electronics. Before removing or handling the circuit boards, ensure you are at ground potential.

## 5.3 Alarm indications

The first indication of a problem at the O<sub>2</sub> measuring system usually comes from the operators running the process. Critical alarms that render the O<sub>2</sub> measurement unusable will force the 4-20 mA analog output signal representing O<sub>2</sub> to go to a default condition, as follows:

4-20 mA signal alarm level	Transmitter condition
0 mA	Transmitter unpowered or completely failed
3.5 mA	Critical alarm - transmitter reading unusable (factory default)
3.8 mA	Reading under range (Example - you set range to 2-10%. Current reading is 1.9%.)
4 to 20 mA	Normal operation
20.5 mA	Reading over range (Example - range is 0-10%. Current reading is 12%.)
>21 mA	Critical alarm - transmitter reading is unusable (you can choose this alarm level instead of the factory default level of 3.5 to 3.6 mA).

### NOTICE

**To ensure correct operation, you should make sure that the Digital Control System is configured to interpret these signal levels correctly.**

Once an alarm condition is identified, the Xi offers a number of diagnostics to interpret the specific alarm.

Alarm indications are available via the Xi or the 375/475 Field Communicator and Rosemount's Asset Management software. When the error is corrected and/or power is cycled, the diagnostic alarms will clear or the next error on the priority list will appear.

## 5.4 Identifying and correcting fault indications

There are two types of alarms: recoverable and non-recoverable. If an existing alarm is recoverable, the alarm-active indication disappears when the alarm condition no longer exists. If an alarm is not recoverable, the alarm indication continues to be displayed after the cause of the alarm condition is corrected. AC power to the Xi must be cycled to clear a non-recoverable alarm.

Alarm messages are displayed on the Xi display window when the alarm status display is accessed via the Xi menu. A listing of the alarm/fault messages and the related fault status descriptions are shown in [Table 5-1](#).

Fault conditions that give no fault indication and that allow the probe to pass calibration are listed and discussed after [Table 5-1](#).

**Table 5-1: Diagnostic/unit alarm fault definitions**

Message	Status	Self clearing
NV Mem Fail	A checksum error was detected in the nonvolatile memory configuration data when the unit was turned on.	No
Factory Mode	On Xi box I/O board, SW4, position 1 is set on ON. On transmitter electronics board, SW1, position 1 is set to ON. This setting should only be used in the factory.	No
Board Temp Hi	The transmitter electronic board reading is above 259 °F (126 °C) or the Xi unit I/O board temperature reading is above 187 °F (86 °C).	No
O2 Htr Ramp Rate	The O <sub>2</sub> sensor heater ramp rate is greater than the max allowed ramp rate, indicating a run away heater condition.	No
O2 Sensor Open	The cell impedance voltage is reading less than -1.1 Vdc, indicating the O <sub>2</sub> sensor wires may be disconnected or the O <sub>2</sub> sensor junction may be open.	Yes
O2 TC Open	The O <sub>2</sub> cell heater thermocouple voltage is reading more than the hardware configured threshold voltage. This indicates the thermocouple wires may be disconnected or the thermocouple junction may be open.	Yes
O2 Temp Low	The heater temperature is below the minimum temperature. The predefined low temperature threshold is 1339 °F (726 °C).	Yes
O2 Temp High	The heater temperature is above the defined temperature threshold. The high temperature threshold is defined by the <i>High Alarm SP</i> parameter. The default value is 1382 °F (750 °C).	Yes
O2 T/C Shorted	The O <sub>2</sub> sensor heater temperature thermocouple voltage is shorted.	Yes
O2 T/C Reversed	The O <sub>2</sub> sensor heater temperature thermocouple voltage is reading a negative voltage, indicating the thermocouple wire connections may be reversed.	Yes
O2 Htr Failure	The O <sub>2</sub> sensor heater temperature is not responding to the controller and can't reach final temperature set by the device, indicating the O <sub>2</sub> heater may have failed.	Yes

**Table 5-1: Diagnostic/unit alarm fault definitions (continued)**

Message	Status	Self clearing
No Flame	The Flame Status Relay Input is set to the <i>OFF</i> state, indicating that it is not safe to operate the O <sub>2</sub> heater and the heater should be turned off.	Yes
Xmtr Disconnect	Communication failures detected between transmitter and the I/O board, indicating the transmitter has been disconnected from the I/O board.	Yes
Cal Recommended	Probe calibration is recommended. The cell impedance is above 100 ohms and has shifted 50 ohms since the last calibration; the accuracy of the O <sub>2</sub> reading may be compromised.	Yes
Cal Failed	A calibration error occurred during the last calibration. The measured slope or constant is outside the acceptable range. (Slope: 34.5 to 57.5 mv/decade) (Constant $\pm$ 20 mv)	Yes
Cell Imp High	The O <sub>2</sub> sensor impedance/cell resistance value measurement is greater than 2000 Ohms, indicating the cell may be beyond its useful life.	Yes
CPU Voltage Low	The CPU voltage is less than 2.7 V, indicating the CPU voltage is too low.	Yes
CPU Voltage High	The CPU voltage is more than 3.3 V, indicating the CPU voltage is too high.	Yes
Htr Voltage Low	The heater voltage for the O <sub>2</sub> cell heater is below 35 volts.	Yes
Htr Voltage High	The heater voltage for the O <sub>2</sub> cell heater is above 264 volts.	Yes
Low O2	The O <sub>2</sub> reading is below the <i>Low O2 Alm SP</i> .	Yes

## 5.5 Calibration passes, but still reads incorrectly

There are a few fault conditions where no alarm indication is present and the probe passes calibration, but the O<sub>2</sub> reading may still be incorrect.

An incorrect flow rate of calibration gases can cause a shifted calibration. If the flow rate of calibration gases is too low, process gases can mix in with the calibration gases, causing a mixture at the cell that is different from what is noted on the calibration gas bottles. Always set the calibration flow rate when a new diffuser is installed and never readjust this flow rate until another new diffuser is installed. For applications with heavy particulate loading, see [Section 5.5.2](#).

If reference air is not supplied or is improperly supplied, the calibration may read incorrectly.

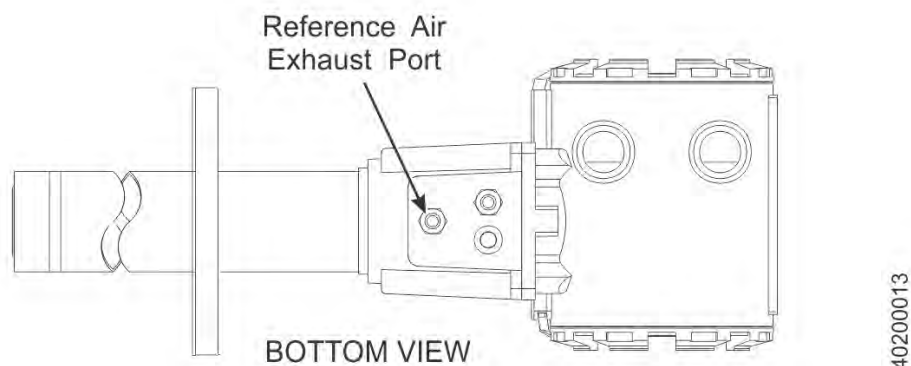
## 5.5.1 Probe passes calibration, O<sub>2</sub> still reads high

### External reference air leak

There may be a leak that is permitting ambient air to mix with the process gases. Since many combustion processes are slightly negative in pressure, ambient air can be drawn into the cell area, biasing the O<sub>2</sub> reading upward.

1. Make sure that the calibration gas is capped tightly between calibrations.
2. If autocal is used, make sure the check valve is sealing properly.

**Figure 5-2: Probe leakage paths**



### Internal reference air leak

See [Figure 5-2](#). There may be a leak inside the O<sub>2</sub> probe itself, permitting the reference air (20.95% O<sub>2</sub>) to mix with the process gases at the cell. To confirm this leak condition, pressurize the inside (reference side) of the probe by plugging the reference air exhaust port with your finger for 1 minute. (The conduit ports where the signal and power wires pass may also need to be sealed.) The O<sub>2</sub> reading should decrease slightly. If the O<sub>2</sub> reading increases during this test, there is a leak inside the probe.

1. Acid condensation inside the probe can degrade the hose that carries the cal gas to the cell. Inspect this hose. Dislodging or improper installation of the cal gas or reference air hose can cause a leakage path.
2. The sensing cell is fastened to the end of the probe tube and uses a corrugated washer to separate the process gases from the ambient reference air. The corrugated washer may be damaged by corrosion. Discard used washer.

#### **NOTICE**

**You should always install a new corrugated washer whenever you remove the sensing cell from the probe.**

## 5.5.2 Probe passes calibration, O<sub>2</sub> still reads low

The diffusion element at the end of the probe is a passive filter. It plugs very slowly, because there is no active flow being drawn across it. In applications that have a heavy particulate loading (coal or wood fired boilers, cement and lime kilns, catalyst regeneration, recovery boilers, etc.) this diffusion element will eventually plug.

### NOTICE

**It is important not to pressurize the sensing cell during calibrations by flowing excessive cal gas against a plugged diffuser. Always use a two-stage regulator for setting calibration gas pressure. Calibration flow rates should be set only when a new diffuser is installed. As the diffuser plugs, do not adjust the flow rates upward.**

## 5.5.3 How do I detect a plugged diffuser?

The O<sub>2</sub> cell's speed of response will degrade. The O<sub>2</sub> trend in the control room will become smoother.

When calibrating, the calibration gas flow rate will be noted to be lower. Never readjust this flow upwards to correct for a plugged diffuser. Adjust this flow only when a new diffuser is installed.

Always note the time it takes for the cell to recover to the normal process value after the cal gas is removed. As the diffuser plugs, this recovery time will get longer and longer. Use the Calibration Record provided to record and track Calibration Response times.

## 5.5.4 Can I calibrate a badly plugged diffuser?

It may not be possible to immediately replace a plugged diffuser while the process is on-line.

You can calibrate the probe without pressurizing the cell by adjusting the calibration gas flow rate downward before calibration. For instance, say the process is at 3%, and the first calibration gas is 8%. Adjust the flow of cal gas downward until the reading begins to migrate from 8% to lower values, indicating that the process gases are now mixing with the calibration gases.

Adjust the flow rate back up until this mixing is just eliminated. Calibrate at this flow rate. Replace the diffuser at the first opportunity.

### ⚠ WARNING!

**Install all protective equipment covers and safety ground leads after troubleshooting. Failure to install covers and ground leads could result in serious injury or death.**



# 6 Maintenance and service

## 6.1 Overview

This section identifies the calibration methods available and provides the procedures to maintain and service the Xi.

### **⚠ WARNING!**

**Install all protective equipment covers and safety ground leads after equipment repair or service. Failure to install covers and ground leads could result in serious injury or death.**

## 6.2 Maintenance intervals

The maintenance interval required is quite variable, depending on the type of service the analyzer is placed into. The zirconium oxide sensing cell is non-depleting and has no specific shelf life or a defined life in flue gas operation. The cell of a probe that is mounted inside a boiler that is burning natural gas may shift very little over several years. Acidic compounds are the main aggressors to the sensing cell, typically SO<sub>2</sub> resulting from sulfur contained in coal and heavy oil fuels and also HCl from the combustion of plastics in municipal incinerators and in industrial thermal oxidizers. Sensing cells may experience significant degradation and signal shift in this type of service, particularly if the operating levels of O<sub>2</sub> are very low (below 1% O<sub>2</sub>).

A calibration check is generally recommended on a quarterly basis (every 3 months) by flowing bottled gas to the probe. (Make sure that the operations personnel are notified when doing this and also make sure that the O<sub>2</sub> control loop is placed in manual mode). If the probe readings vary significantly from the bottle values, then a formal calibration should be conducted as noted in [Chapter 4](#).

The Xi offers a *calibration recommended* diagnostic that indicates when the probe needs to be calibrated.

Combustion processes that have a high level of ash or other particulate content will cause the diffusion element on the end of the probe to plug off. A badly plugged diffuser causes a slower speed of response to changing O<sub>2</sub> levels in the process. This can usually be seen on the recorded trends in the control room.

When performing a calibration check or actual calibration, the calibration flow meter may read lower if the diffuser is badly plugged. (Never increase the flow rate back up, however, as this can cause a shifted calibration. Adjust the calibration flow rate only when a new diffuser is installed). Always record the response time back to the process after the calibration gases are removed.

During plant outages, conduct a visual inspection of the probe, paying particular attention to condensed components. To reduce or eliminate condensation, insulate the probe installation, including the probe mount, flange, and dual blue housings.

## 6.3 Calibration

The Xi can calibrate an O<sub>2</sub> probe manually through the front panel display or via a handheld 375/475 Field Communicator or automatically through the SPS 4001B Single Probe Autocalibration Sequencer or the IMPS 4000 Intelligent Multiprobe Test Gas Sequencer.

### 6.3.1 Automatic calibration

The Xi can be used with the SPS 4001B or IMPS 4000 in order to perform an auto/semi-automatic calibration. Refer to the SPS 4001B or IMPS 4000 Instruction Manual for further details on how to configure and perform an automatic manual calibration.

### 6.3.2 Manual calibration

Refer to [Section 4.7](#) to perform a manual calibration.

## 6.4 Replacement parts

Refer to [Chapter 7](#) for individual replacement parts and part replacement kits. Part replacement kits are available for each of the components discussed in this section.

## 6.5 Xi components replacement

Each of the following procedures details how to replace a specific component of the Xi. Most of these procedures include component setup instructions that must be performed before returning the related O<sub>2</sub> probe to service. Refer to [Figure 6-1](#) and [Figure 6-2](#) for illustrations of the Xi components.

Component replacement kits are available for each of the components replaced in this repair section. Refer to [Chapter 7](#) for kit part numbers.



Figure 6-1: Xi components

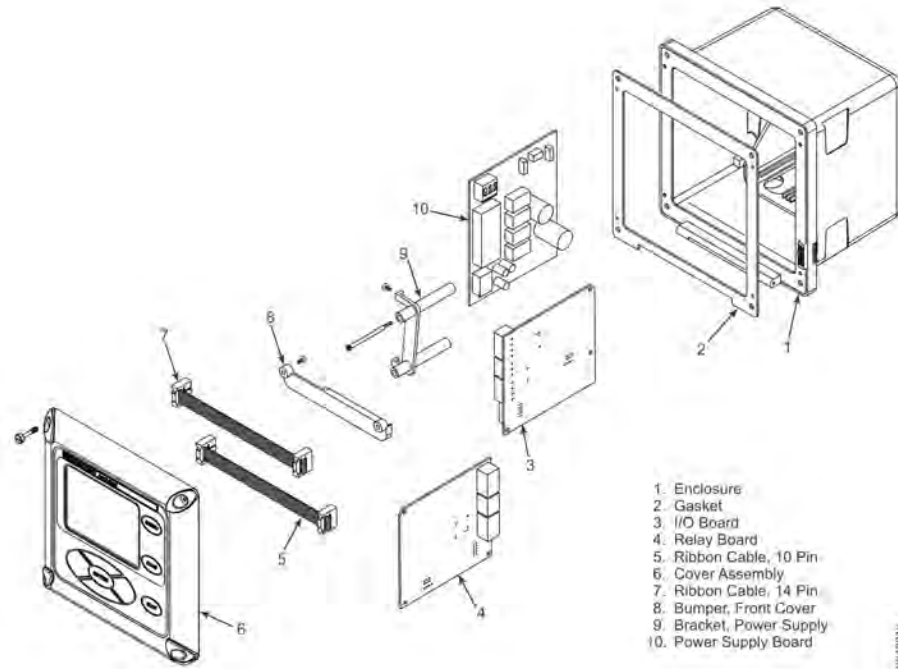
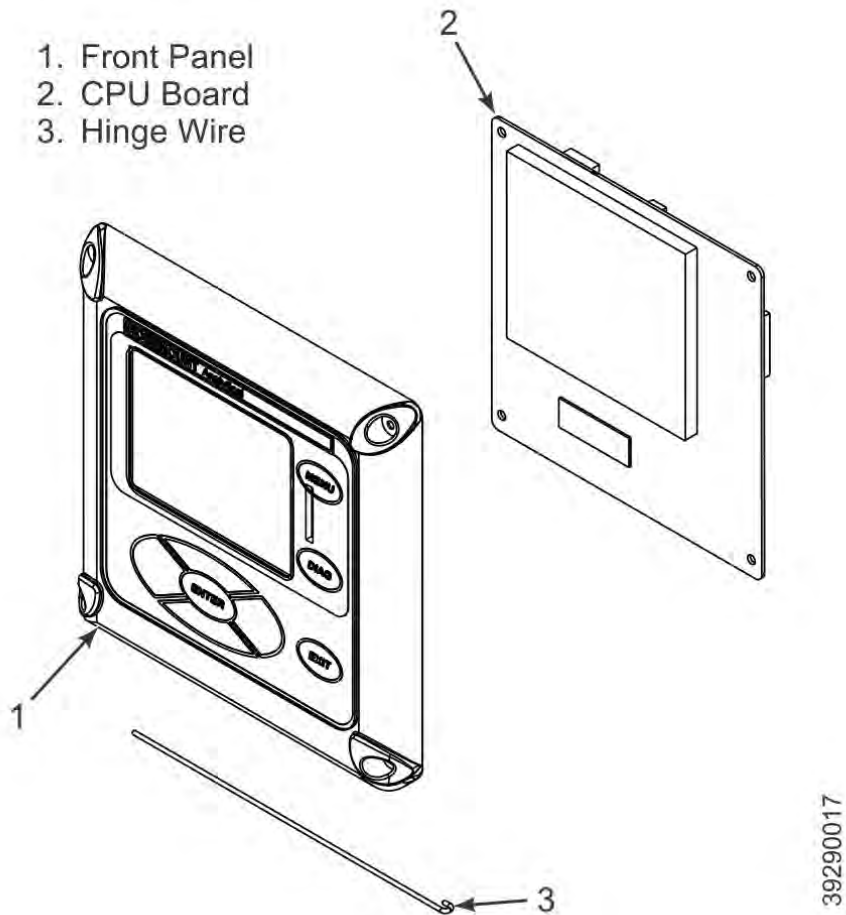


Figure 6-2: Xi front panel components



## 6.5.1 I/O board replacement

Use the procedure that follows to replace and set up the I/O board in the Xi.

### **⚠ WARNING!**

#### **ELECTRIC SHOCK**

Disconnect and lock out power before working on any electrical components.

### **⚠ CAUTION!**

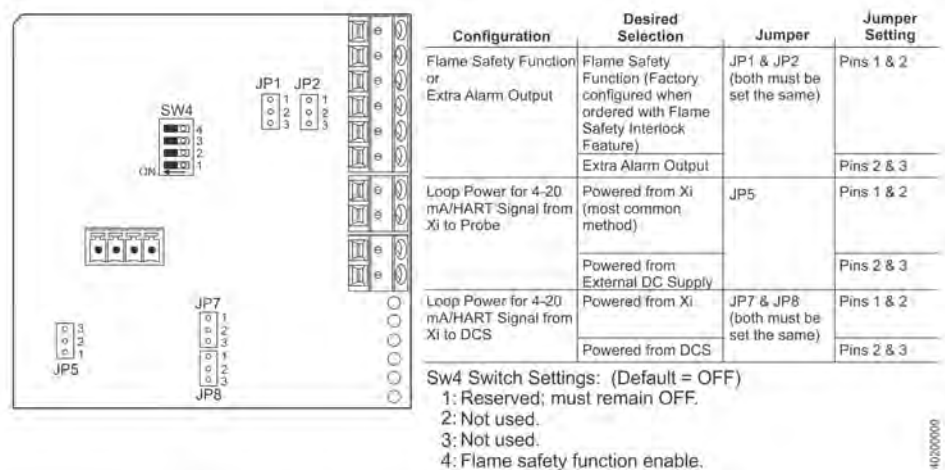
The I/O board is shipped from the factory without any of the enhanced software features activated. These features must be activated once the new board has been installed and before the Remote Interface is put into service.

**⚠ CAUTION!**

If the existing I/O board has been operated with the Stoichiometric enhanced software feature, this feature must be activated in the new board before the Xi Electronics is put back into service. Failure to do so will cause a false analog output signal to the DCS.

**Procedure**

1. Loosen the four screws securing the Xi cover.  
The screws are captive and do not need to be completely removed.
2. Swing the Xi cover down to expose the inner components.
3. Disconnect the 110-pin ribbon cable from the I/O board.  
A new cable is supplied in the replacement kit and should be used if the old one is damaged.
4. Tag and disconnect wiring for Alarm Outputs, Flame Status Input, and/or SPS/IMPS as applicable.
5. Slide the I/O board part way out of the Xi enclosure.
6. Disconnect the 4-position plug for the transmitter probe and output wiring. Remove the I/O board completely from the Xi enclosure.
7. See [Figure 6-3](#). Set jumpers JP1, JP2, JP5, JP7, and JP8 to their proper positions using the old I/O board as a guide.

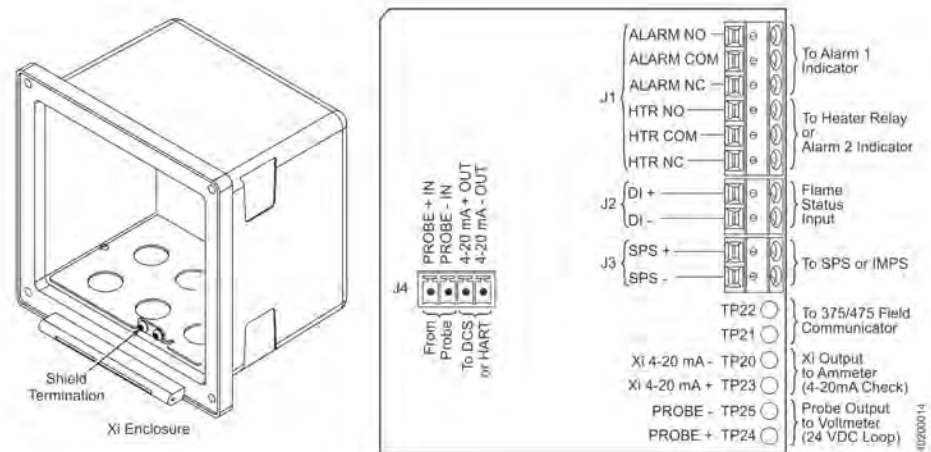
**Figure 6-3: I/O board jumper and switch settings**

8. Set switch SW4 to their proper positions using the old I/O board as a guide.
9. Partially slide the new I/O board into the Xi enclosure. Ensure the board is correctly aligned within the slots in the enclosure.
10. Connect the 4-position plug for the transmitter probe and output wiring. Slide the I/O board completely into the Xi enclosure.

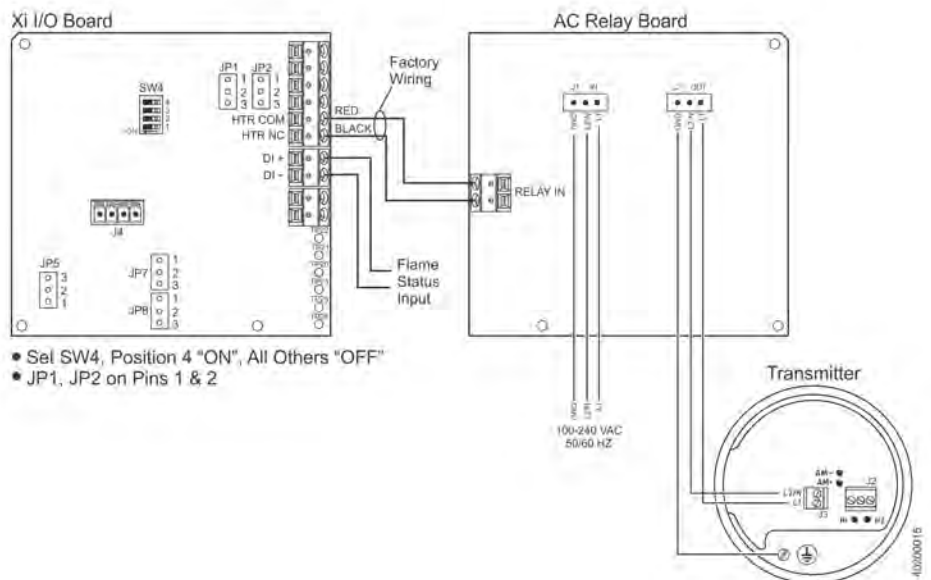
11. Reinstall wiring for Alarm Outputs, Flame Status Input, and/or SPS/IMPS as applicable.

See [Figure 6-4](#) and [Figure 6-5](#) for wiring diagrams. See [Figure 6-6](#) for I/O board positions in the Xi enclosure.

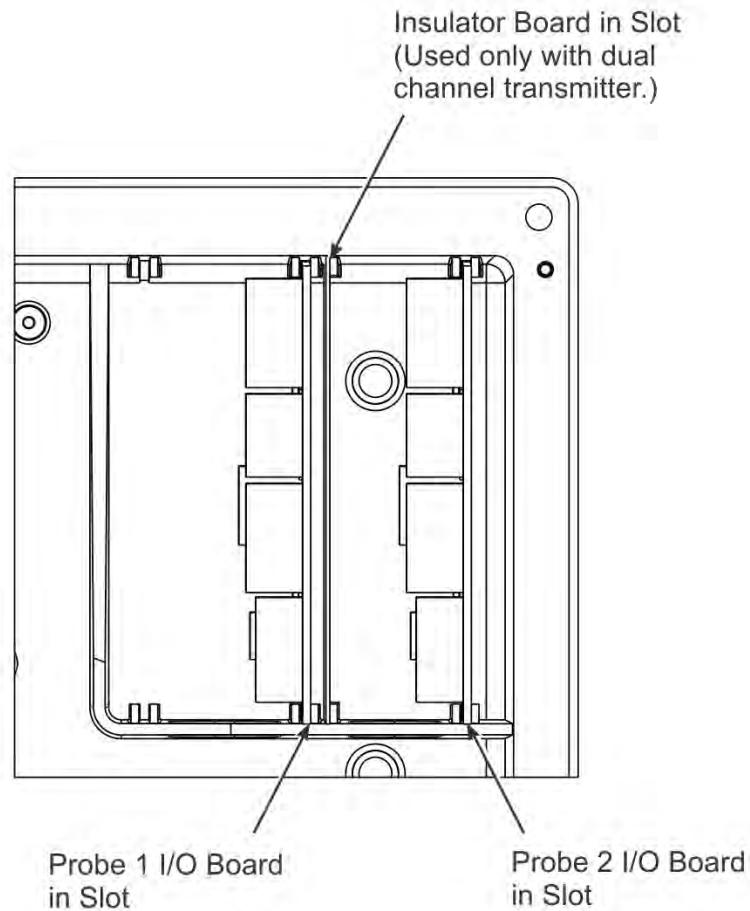
**Figure 6-4: I/O board wiring connections**



**Figure 6-5: I/O board flame safety interlock wiring**



**Figure 6-6: I/O board positions in the enclosure**



12. Connect the ribbon cable to the I/O board.  
A new cable is supplied and should be used if the old one is damaged.
13. Swing the Xi cover up in place and tighten the four screws.
14. Prior to operating the O<sub>2</sub> probe and the Xi, all optional software enhancements (previously enabled or not) must be enabled.

Notify Rosemount and reference the following part numbers to enable the software related options.

Part number	Software option
6A00269G01	Enhanced software option upgrade, stoichiometric function
6A00269G02	Enhanced software option upgrade, programmable reference function
6A00269G03	Enhanced software option upgrade, 850 °C process function

**NOTICE**

**For enhanced software upgrades or to enable optional software features previously used in your Xi configuration, contact Rosemount at 1-800-433-6076.**

15. Recalibrate the O<sub>2</sub> probe according to the applicable calibration instructions in [Chapter 4](#).

## 6.5.2 AC relay board replacement

Use the procedure that follows to replace and set up the AC relay board in the Xi.

**⚠ WARNING!**

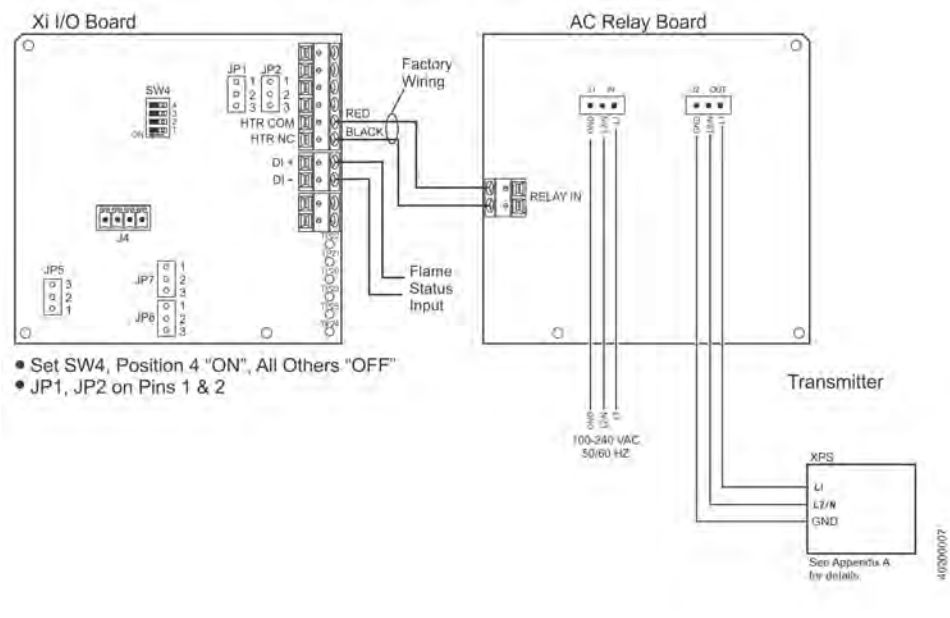
**Disconnect and lock out power before working on any electrical components.**

**Procedure**

1. Loosen the four screws securing the Xi cover.  
The screws are captive and do not need to be completely removed.
2. Swing the Xi cover down to expose the inner components.
3. Tag and disconnect wiring for the Relay In.
4. Slide the AC relay board part way out of the Xi enclosure.
5. Tag and disconnect the 3-position plugs for the AC input and transmitter probe heater wiring. Remove the AC relay board completely from the enclosure.
6. Partially slide the new AC relay board into the Xi enclosure. Ensure the board is correctly aligned within the slots in the enclosure.
7. Connect the two 3-position plugs for the AC input and transmitter probe heater wiring. Slide the AC relay board fully into the Xi enclosure.
8. Reinstall wiring for Relay In.

See [Figure 6-7](#) for wiring diagram.

Figure 6-7: I/O and AC relay board flame safety interlock wiring



- Swing the cover up in place and tighten the four screws.

### ⚠ CAUTION!

Installing and configuring an AC relay board for the flame status interlock function will dedicate alarm output 2 for this function. Once configured for flame status interlock, the software will override any previous alarm assignments for alarm output 2 and not allow it to be used for any other function.

## 6.5.3 Power supply board replacement

Use the procedure that follows to replace the power supply board in the Xi. Use this procedure to replace an original linear power supply board or the current configuration switching power supply board.

### ⚠ WARNING!

#### ELECTRIC SHOCK

Disconnect and lock out power before working on any electrical components.

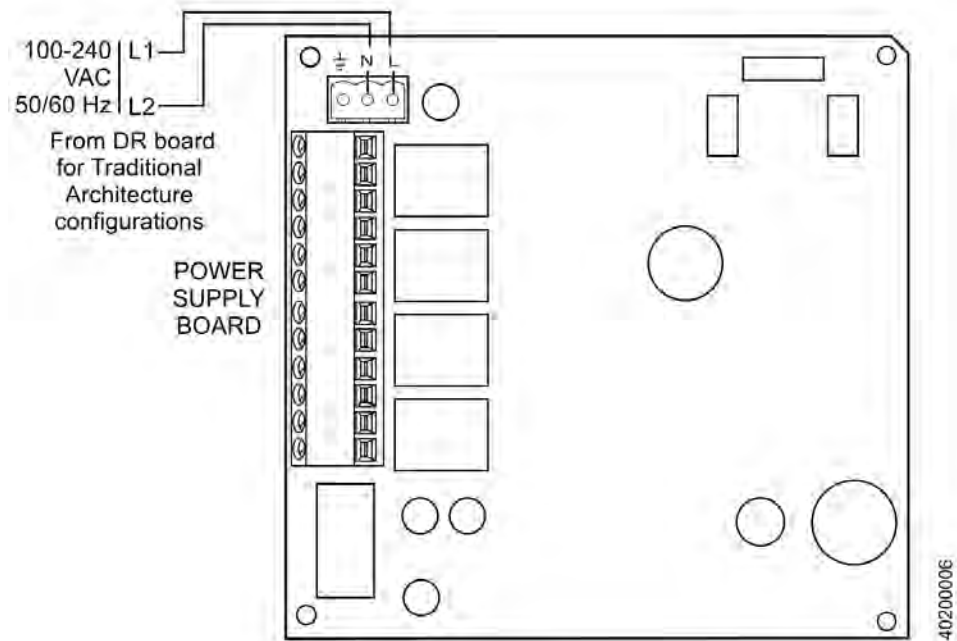
#### Procedure

- Loosen the four screws securing the Xi cover.  
The screws are captive and do not need to be completely removed.
- Swing the Xi cover down to expose the inner components.

3. Refer to the wiring diagram in [Figure 6-8](#). Unplug the AC input wiring plug from the power supply board.

A new plug is supplied in the replacement kit and should be used if the existing plug is damaged.

**Figure 6-8: Power supply board wiring**



4. Disconnect the 14-pin ribbon cable from the power supply board.
5. Remove the two long screws that secure the bracket (9, [Figure 6-1](#)) to the Xi enclosure.
6. Hold the AC input wiring to the right and slide the power supply board out of the Xi enclosure.
7. Install the new mounting bracket (9, [Figure 6-1](#)) on the new power supply board (10, [Figure 6-1](#)).

A new bracket and mounting screws are provided in the replacement kit.

8. Slide the power supply board into the mating slots in the Xi enclosure. Make sure the board is correctly aligned in the slots.
9. Install and tighten the bracket mounting screws.

Two new screws are provided in the replacement kit and should be used if the existing screws are damaged.

10. Connect the ribbon cable to the power supply board.

A new ribbon cable (7, [Figure 6-1](#)) is provided in the replacement kit and should be used if the existing cable is damaged.



11. Connect the AC power plug to the power supply board.
12. Swing the Xi cover up and tighten the four mounting screws.

## 6.5.4 Xi front panel replacement

Use the procedure that follows to replace the front panel on the Xi. Replacement kits with and without the CPU board are available. Use the instructions that apply to the replacement kit you have.

### **⚠ WARNING!**

**Disconnect and lock out power before working on any electrical components.**

### **Replacing front panel assembly without CPU board**

Complete the following steps to replace the front panel assembly without a CPU board.

1. Loosen the four screws securing the Xi cover.
 

The screws are captive and do not need to be completely removed.
2. Swing the Xi cover down to expose the inner components.
3. Disconnect the 14-pin ribbon cable going to the power supply board.
 

A new cable is supplied in the replacement kit and should be used if the old one was damaged.
4. Disconnect the 10-pin ribbon cable(s) going to the I/O board(s).
 

One new cable is supplied in the replacement kit and should be used if either of the ribbon cables are damaged.
5. Remove the wire hinge from the right side of the Xi cover.
 

A paper clip or similar device can be inserted into the hole on the left side of the cover to push the hinge out of the cover. A new hinge pin is supplied in the replacement kit and should be used if the old one is damaged.
6. Position the new front panel assembly in place and reinstall the hinge pin. Ensure the hinge pin is fully seated into the Xi cover.

### **⚠ CAUTION!**

#### **EQUIPMENT DAMAGE**

**The new front panel assembly may be supplied with protective clear membranes over the interior and exterior of the window. Failure to remove the exterior protective membrane may cause the display to be distorted. The membrane may be difficult or impossible to remove after extended use at elevated temperatures.**

7. The keypad window on the new front panel may be supplied with interior and exterior protective membranes. Remove the protective membranes prior to final assembly and use of the Xi enclosure.
8. Reconnect the 10-pin ribbon cable from the I/O board.

9. Reconnect the 14-pin ribbon cable from the power supply board.
10. Swing the Xi cover up in place and tighten the four screws.
11. If necessary, configure the appearance of the main display.

Refer to [Chapter 3](#).

## Replacing front panel assembly with CPU board

Complete the following steps to replace the front panel assembly with a CPU board.

1. Loosen the four screws securing the Xi cover.

The screws are captive and do not need to be completely removed.

2. Swing the Xi cover down to expose the inner components.
3. Disconnect the 14-pin ribbon cable going to the power supply board.

A new cable is supplied in the replacement kit and should be used if the old one was damaged.

4. Disconnect the 10-pin ribbon cable(s) going to the I/O board(s).

One new cable is supplied in the replacement kit and should be used if either of the ribbon cables are damaged.

5. Remove the wire hinge from the right side of the Xi cover.

A paper clip or similar device can be inserted into the hole on the left side of the cover to push the hinge out of the cover. A new hinge pin is supplied in the replacement kit and should be used if the old one is damaged.

6. Place the front panel assembly on the bench. Remove the four screws securing the CPU board to the front cover.

### NOTICE

**Prior to disassembly, observe the position of the plastic bumper with rubber insert as it is installed over the CPU board. The two longer screws are used at the top edge of the CPU board passing through the bumper.**

7. Lift the CPU board off of the front cover using care not to damage the board.
8. Disconnect the keypad overlay ribbon from the CPU board. Discard the used front cover with the keypad overlay attached.

### ⚠ CAUTION!

#### EQUIPMENT DAMAGE

**The new front panel assembly may be supplied with protective clear membranes over the interior and exterior of the window. Failure to remove the exterior protective membrane may cause the display to be distorted. The membrane may be difficult or impossible to remove after extended use at elevated temperatures.**

9. The keypad window on the new front panel may be supplied with interior and exterior protective membranes. Remove the protective membranes prior to final assembly and use of the Xi enclosure.
10. Clean the inside of the keypad overlay window and LCD display window to remove fingerprints and accumulated dust.  
Use only a soft cloth; do not use any detergents or chemicals.
11. Connect the keypad overlay ribbon cable on the new front panel assembly to the CPU board.  
Use care not to damage the board.
12. Position the CPU board in place in the front panel assembly.
13. Reinstall the bumper and 4 screws to secure the CPU board in place.  
The two longer screws are used with the plastic bumper on the top edge of the CPU board.
14. Position the front panel assembly and reinstall the hinge pin. Ensure the hinge pin is fully seated into the Xi cover.
15. Reconnect the 10-pin ribbon cable from the I/O board.
16. Reconnect the 14-pin ribbon cable from the power supply board.
17. Swing the Xi cover up in place and tighten the four screws.
18. If necessary, configure the appearance of the main display.  
Refer to [Chapter 3](#).

## 6.5.5 DR board replacement

Use the procedure that follows to replace the DR board in the Xi that is connected to a direct replacement probe.

### WARNING!

#### **ELECTRIC SHOCK**

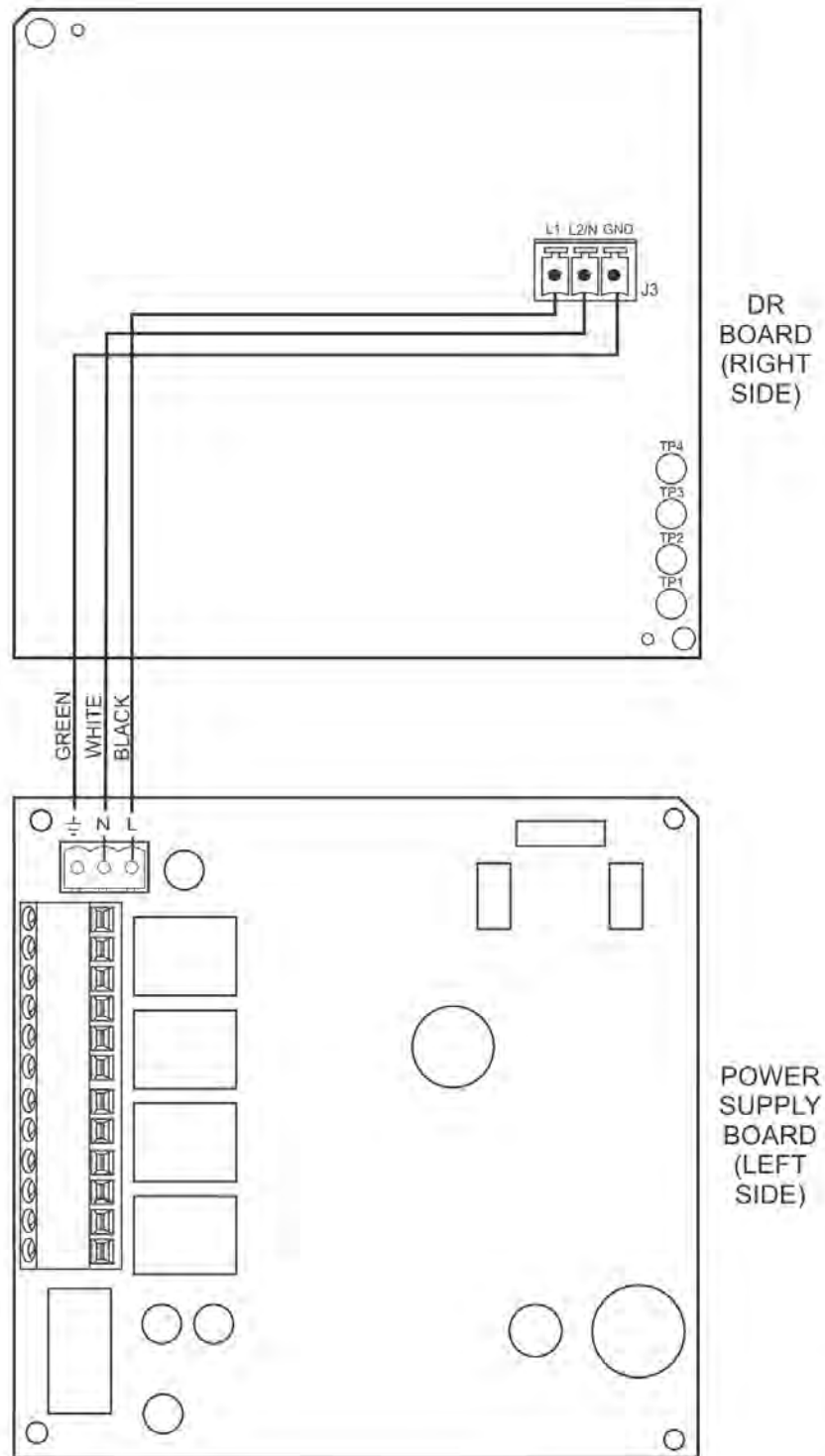
**Disconnect and lock out power before working on any electrical components.**

#### **Procedure**

1. Loosen the four screws securing the Xi cover.  
The screws are captive and do not need to be completely removed.
2. Swing the Xi cover down to expose the inner components.
3. Slide the DR board part way out of the Xi enclosure.
4. Unplug the wiring harness plug from the connector J8 located on the bottom, left-hand side of the board.

Refer to [Figure 6-9](#).

Figure 6-9: DR board wiring, right-hand side



40200016



11. Slide the DR board completely into the Xi enclosure.
12. Swing the Xi cover up and tighten the four mounting screws.

# 7 Replacement parts

## 7.1 Xi electronics

**Table 7-1: Replacement parts for Xi**

Part number	Description
6A00265G01	Kit, power supply board (obsolete - replaced by 6A00329G01)
6A00329G01	Kit, switching power supply board
6A00266G01	Kit, I/O board <sup>(1)</sup>
6A00267G01	Kit, AC relay board
6A00328G01	Kit, DR board
6A00268G01	Kit, front panel with overlay and CPU board
6A00268G02	Kit, front panel with overlay
6A00269G01	Enhanced software option upgrade, Stoichiometric function
6A00269G02	Enhanced software option upgrade, programmable reference function
6A00269G03	Enhanced software option upgrade, 800 °C process function
6A00237H24	Kit, pipe and wall mount
6A00237H33	Kit, panel mount
6A00243G01	Ribbon cable, 10 pin (CPU board to I/O board)
6A00242G01	Ribbon cable, 14 pin (CPU board to power supply board)
6A00291H01	Insulator
6A00381G01	Kit, hole plug and gland
6A00285H01	Gasket, panel
6A00287H01	Gasket, cover

(1) *If the existing I/O board has been operated with the Stoichiometric enhanced software feature, this feature must be activated in the new board before the Xi is put back into service. Failure to do so will cause a false analog output signal to the DCS.*

## 7.2 Calibration components

**Table 7-2: Replacement parts for calibration components**

Part number	Description
1A99119G01	Calibration gas bottles -0.4% and 8% O <sub>2</sub> , balance nitrogen - 550 liters each <sup>(1)</sup>
1A99119G02	Two flow regulators (for calibration gas bottles)
1A99119G03	Bottle rack

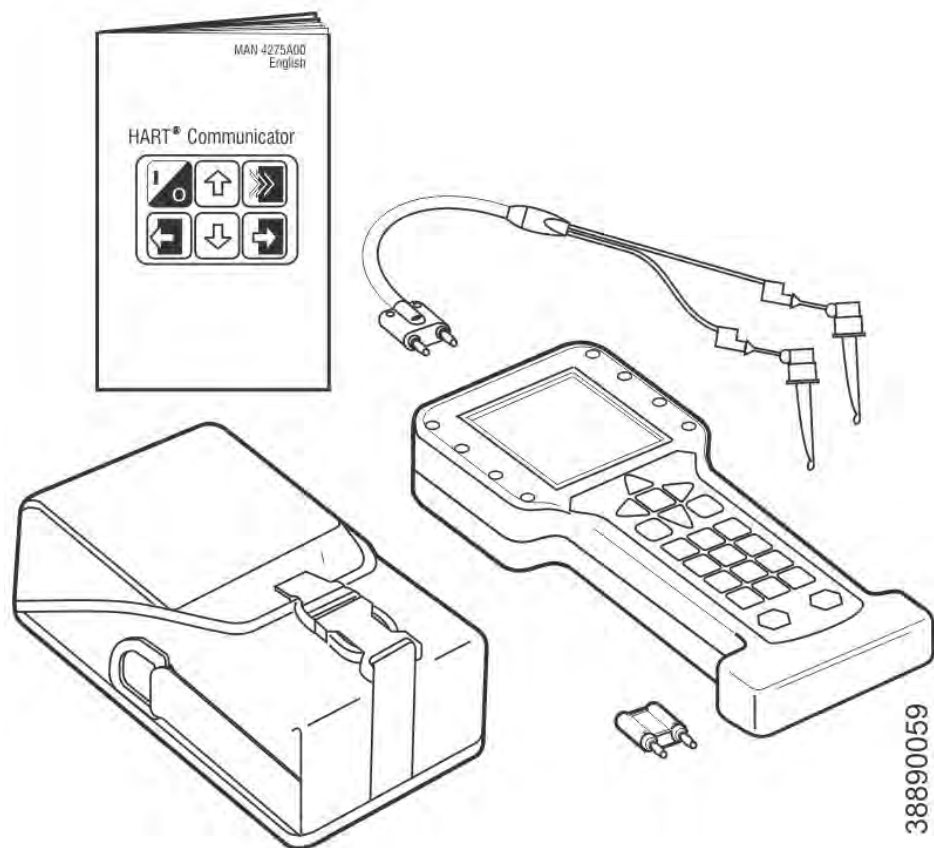
*(1) Calibration gas bottles cannot be shipped via airfreight.*



## 8 Optional accessories

### 8.1 HART handheld 375/475 Field Communicator

Figure 8-1: 375/475 Field Communicator



The 375/475 Field Communicator is an interface device that provides a common communication link to HART-compatible instrument, such as the Xi. HART communications protocol permits all the information available from the Xi-s electronics to be transmitted over standard 4-20 mA signal wires. By attaching the 375/475 Field Communicator at a termination point along the 4-20 mA signal line, you can diagnose problems and configure and calibrate the Xi as if you were standing in front of the instrument.

For more information, call Rosemount at 1-800-433-6076.

## 8.2 **Asset Management Solutions (AMS)**

Asset Management Solutions (AMS) software works in conjunction with the HART communication protocol and offers the capability to communicate with all HART plant devices from a single computer terminal.

For more information, call Rosemount at 1-800-433-6076.

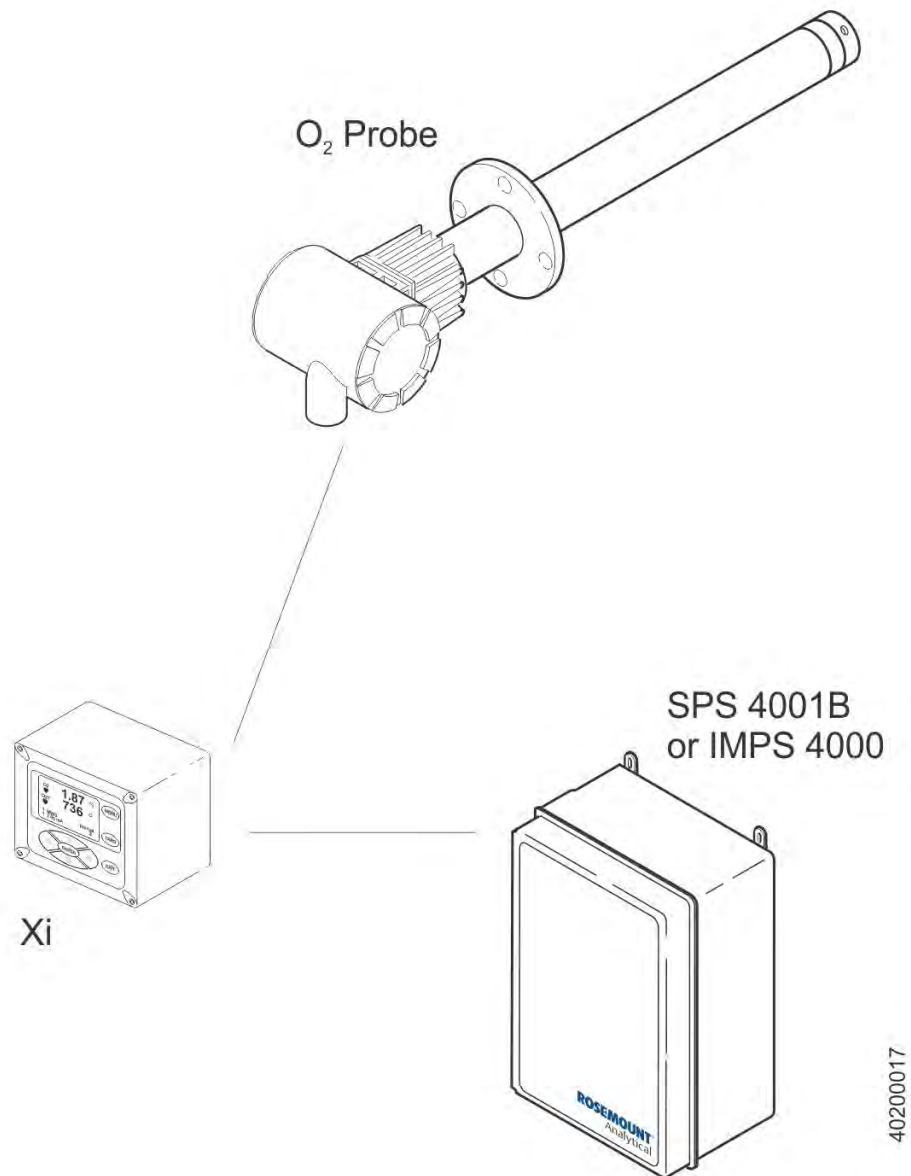
## 8.3 **By-Pass Packages**

The specially designed Rosemount By-Pass Package for oxygen analyzers has proven to withstand the high temperatures in process heaters while providing the same advantages offered by the in situ sensor. Inconel steel tubes provide effective resistance to corrosion, and the package uses no moving parts, air pumps, or other components common to other sampling systems.

For more information, call Rosemount at 1-800-433-6076.

## 8.4 SPS 4001B Single Probe Autocalibration Sequencer

Figure 8-2: SPS 4001B



Rosemount specifically designed the SPS 4001B Single Probe Autocalibration Sequencer to provide the ability to perform automatic or on-demand calculations. The SPS 4001B is fully enclosed in a NEMA cabinet suitable for wall-mounting. This cabinet provides added protection against dust and minor impacts.

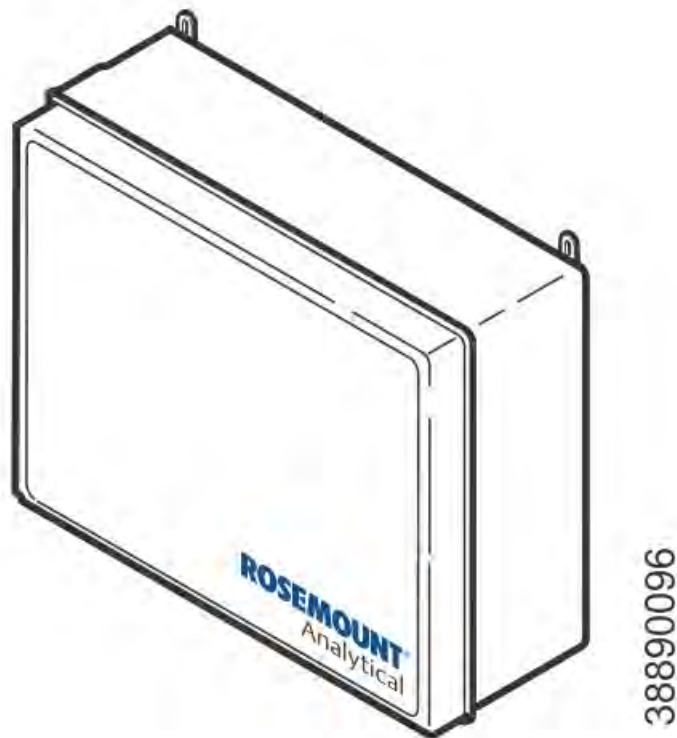
The SPS 4001B works in conjunction with the Xi, eliminating out-of-calibration occurrences and the need to send a technician to the installation site.

For more information, call Rosemount at 1-800-433-6076.

## 8.5 IMPS 4000 Intelligent Multiprobe Test Gas Sequencer

---

Figure 8-3: IMPS 4000



*The IMPS 4000 Intelligent Multiprobe Test Gas Sequencer is housed within an IP56 (NEMA 4X) enclosure and has the intelligence to provide calibration gas sequencing of up to four Xi's to accommodate automatic and semi-automatic calibration routines.*

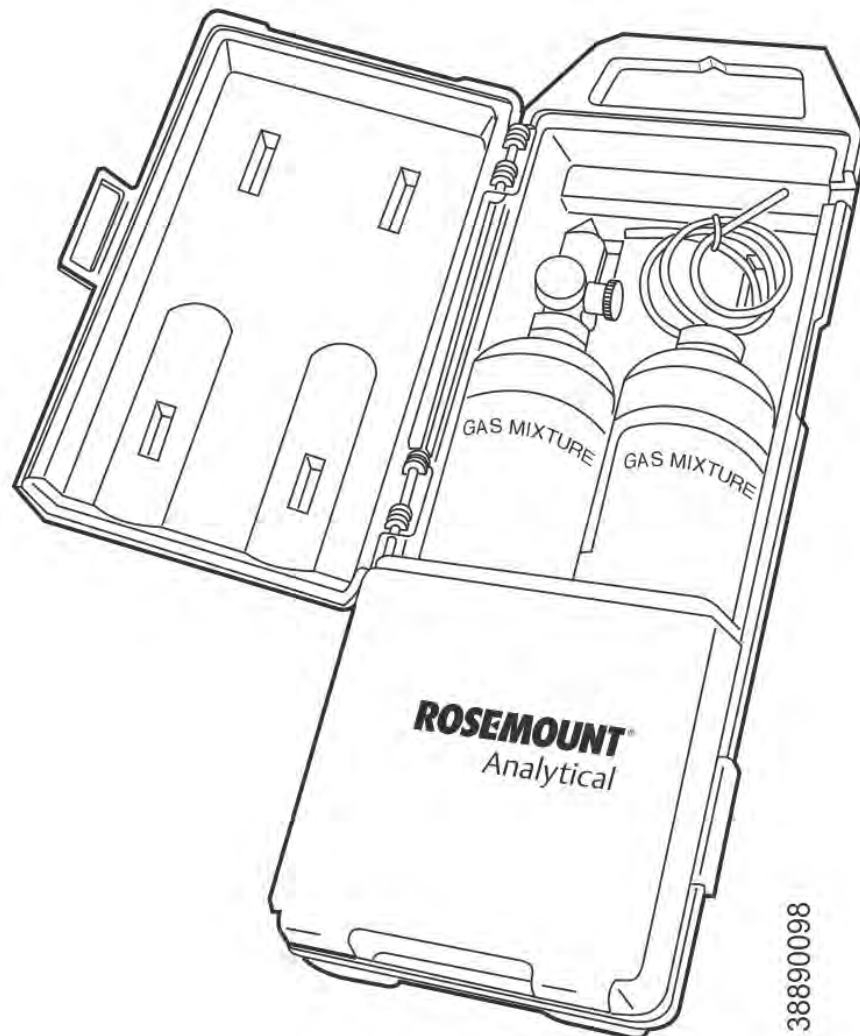
*The sequencer works in conjunction with the CALIBRATION RECOMMENDED feature, eliminating out-of-calibration occurrences and the need to send a technician to the installation site. In addition, the IMPS 4000 provides a remote contact input to initiate a calibration from a remote location and relay outputs to alert when a calibration is in progress, an O<sub>2</sub> probe is out of calibration, calibration gases are on, and calibration pressure is low.*

*For more information, call Rosemount at 1-800-433-6076.*

---

## 8.6 O<sub>2</sub> calibration gas

Figure 8-4: Calibration gas bottles



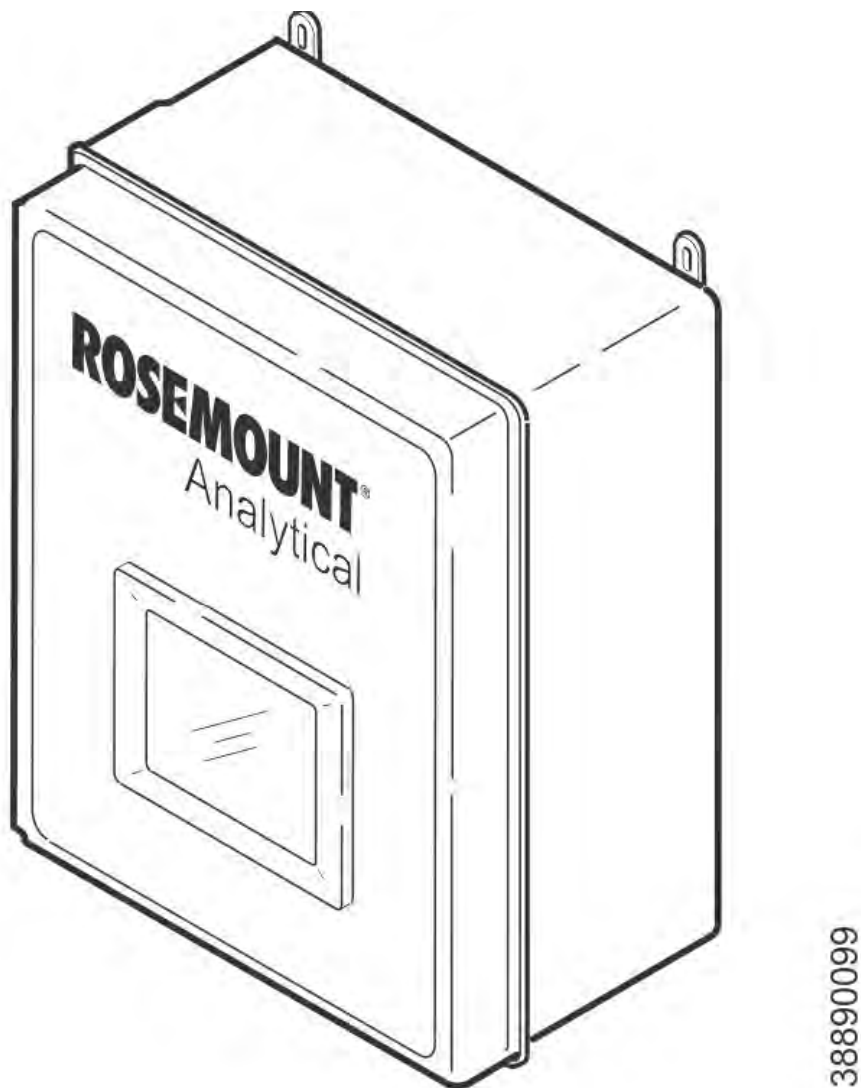
Rosemount's O<sub>2</sub> calibration gas and service kits have been carefully designed to provide a more convenient and fully portable means of testing, calibrating, and servicing Rosemount's oxygen analyzers. These lightweight, disposable gas cylinders eliminate the need to rent gas bottles.

For more information, call Rosemount at 1-800-433-6076.

## 8.7 OxyBalance Display and Averaging System

---

Figure 8-5: OxyBalance



The optional OxyBalance Display and Averaging System reviews up to eight 4-20 mA signals from individual probes. It trends individual outputs and calculates four programmable averages as additional 4-20 mA inputs.

For more information, call Rosemount at 1-800-433-6076.

# Appendix A

## XPS information

### A.1 XPS equipment description

The XPS is primarily an interfacing electronics box installed between an O<sub>2</sub> probe and the Xi electronics. There are three variants of the XPS electronics box, each with specific functions.

1. Remote XPS - 6A00358G01 for 44 V probes
2. Remote XPS - 6A00358G03 for 115 V probes
3. Integral XPS - 6A00365G01 for 44 V probes

#### A.1.1 Remote XPS for 44 V probes - 6A00358G01

This version of the XPS is for use with Westinghouse/Rosemount World Class probes that use a 44 volt heater and when the O<sub>2</sub> probe uses a 120/240 V, 50/60 Hz power source. The 6A00358G01 version contains electronics to receive and process multiple raw signals from the probe.

Signal wires between the O<sub>2</sub> probe and the G01 version XPS include the following:

1. Thermocouple - 2 conductors (type K lead wire)
2. Sensing cell - 2 conductors
3. Heater - 3 conductors
4. Shield

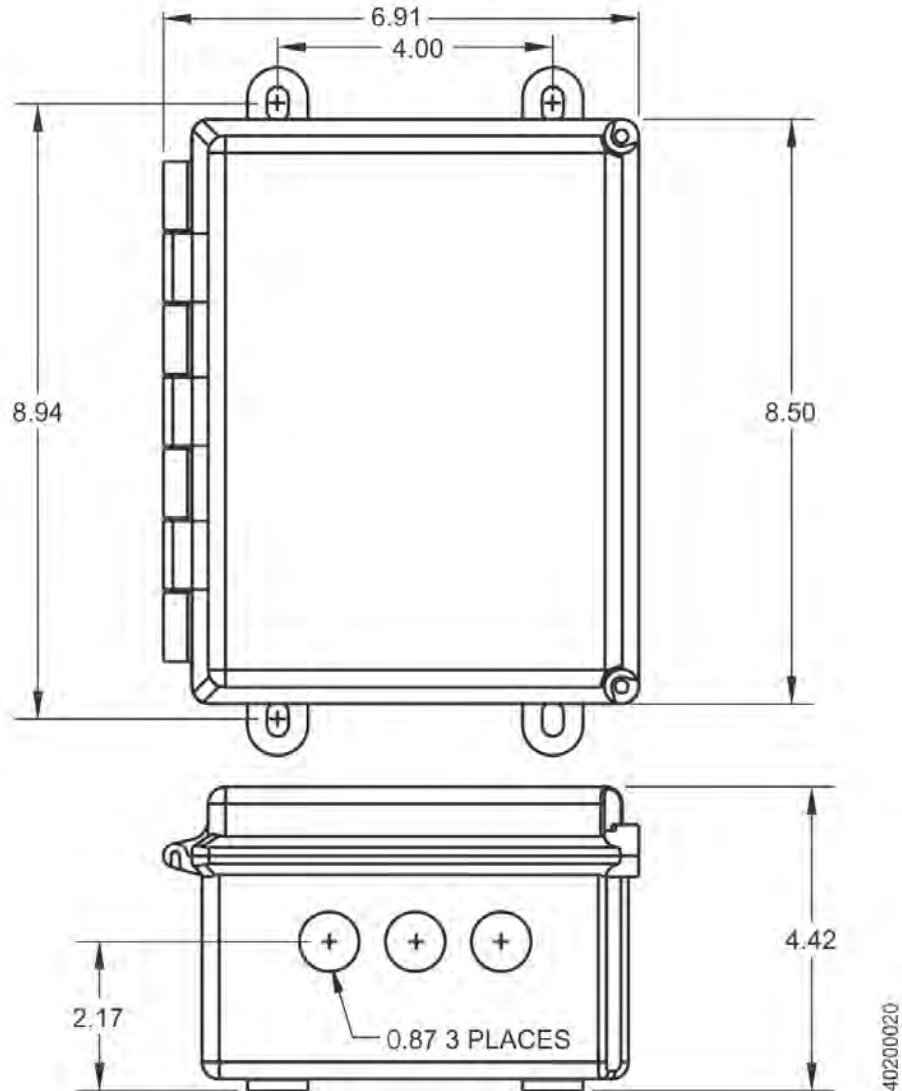
This version of the XPS provides for probe heater control and signal conditioning. The signal conditioning electronics result in a linear 4-20 mA %O<sub>2</sub> signal.

No operator interface is included. Thereby, the 4-20 mA signal typically goes to an Xi advanced electronics unit. Alternately, a handheld HART 375/475 Field Communicator can be used as the operator interface. However, the Xi or the field communicator must be the dedicated communication device. The Xi and the field communicator cannot be used at the same time.

For heater control, the G01 version of the XPS includes a transformer. The transformer converts 120/240 Vac input power to the 44 Vac heater voltage used in the Westinghouse/Rosemount World Class probe.

**Figure A-1: Remote XPS 6A00358G01 and 6A00358G03 mounting**

- Notes:**
1. Customer must provide suitable cable/conduit entry to meet Type 4X and IP66.
  2. All dimensions are in inches.



## A.1.2 Remote XPS for 115 V probes - 6A00358G03

The 6A00358G03 version of the XPS is similar to the 6A00358G01 described above except that it does not include the transformer. The 6A00358G03 version controls any Westinghouse/Rosemount O<sub>2</sub> probe that uses a 115 V heater. Applicable probes include Models 218 and 218A, Oxymitter, X-STREAM, or 6888 probes.

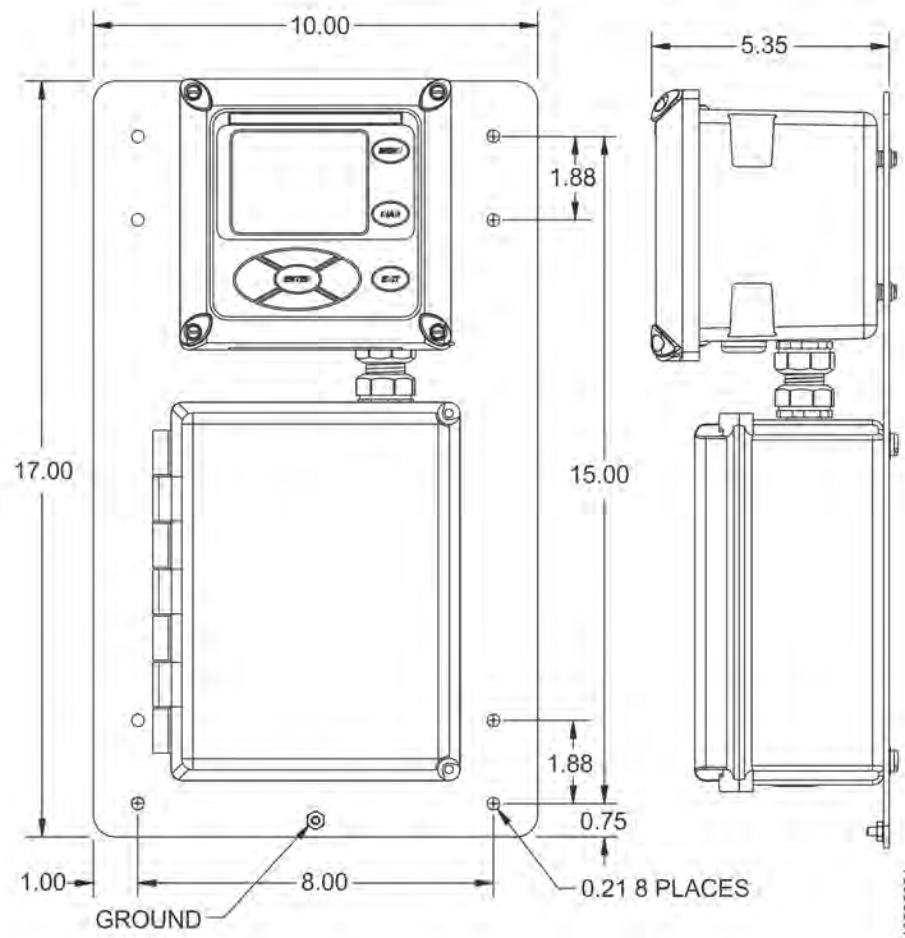


### A.1.3 Integral XPS 6A00365G01 with Xi (for 44 V probes)

This XPS equipment configuration includes the XPS and an Xi Advanced Electronics unit installed on a mounting plate. This configuration is intended to replace a world class intelligent field transmitter (IFT) where the required input line voltage is 120/240 Vac, particularly for 240 Vac applications.

**Figure A-2: Integral XPS with Xi and 6A00365G01 mounting**

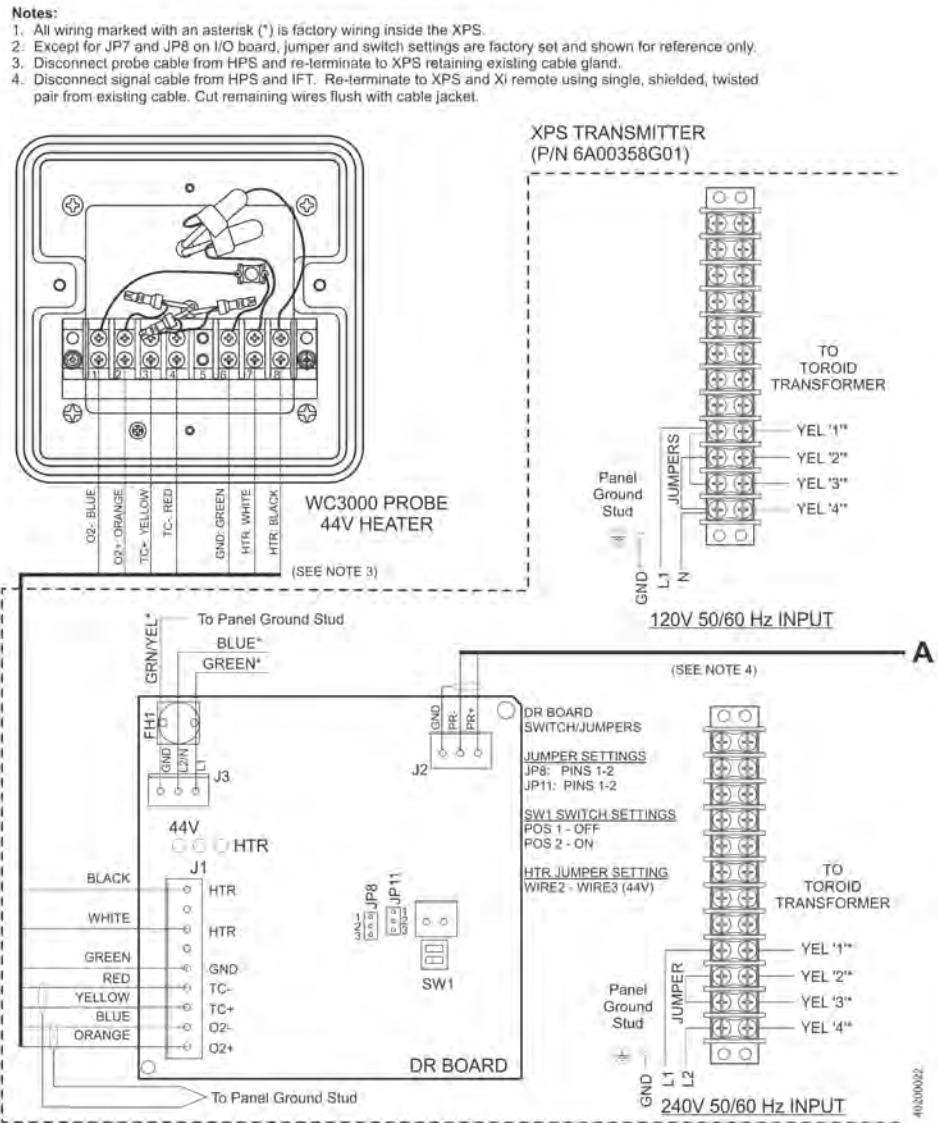
- Notes:**
1. Customer must provide suitable cable/conduit entry to meet Type 4X and IP66.
  2. Mounting holes for integral XPS panel reflect same hole patterns used for the WC3000 IFT, P/N 1U05717GXX (blue box) and P/N 6A00178GXX (gray box).
  3. All dimensions are in inches.

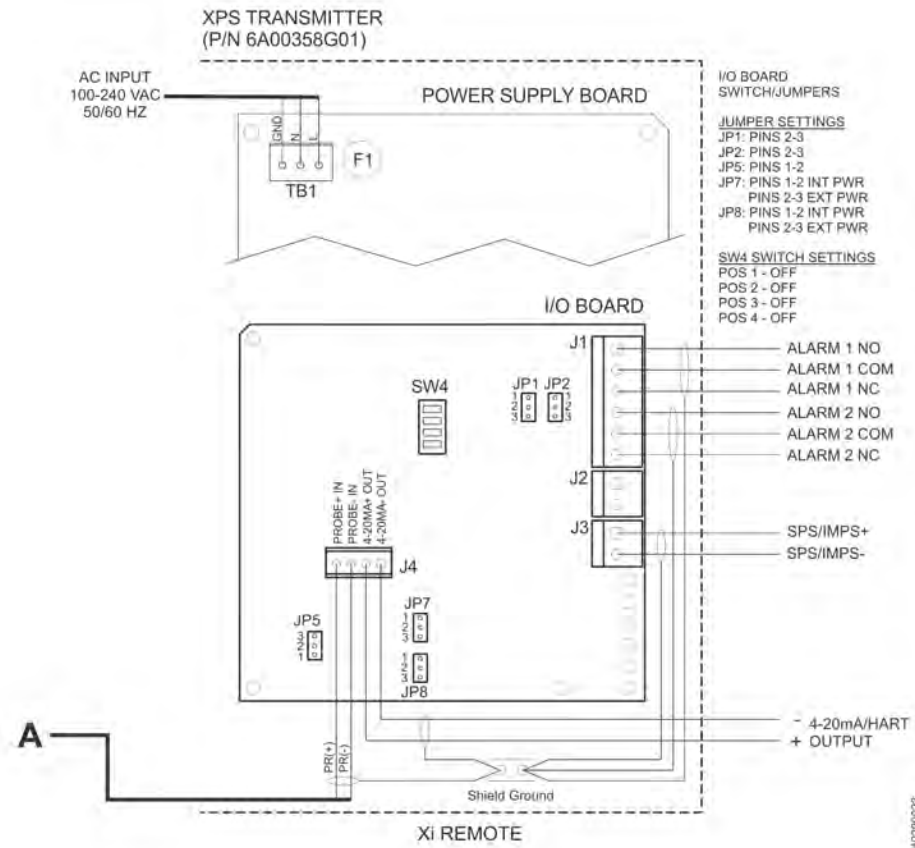


### A.1.4 Other XPS uses

The XPS units can be wired to two O<sub>2</sub> probes and back to one dual-channel Xi. This avoids having to purchase an Xi for each probe and eliminates one of two signal cables that would otherwise be required to communicate between the Xi and XPS units.

**Figure A-3: Remote XPS 6A00358G01 wiring diagram**

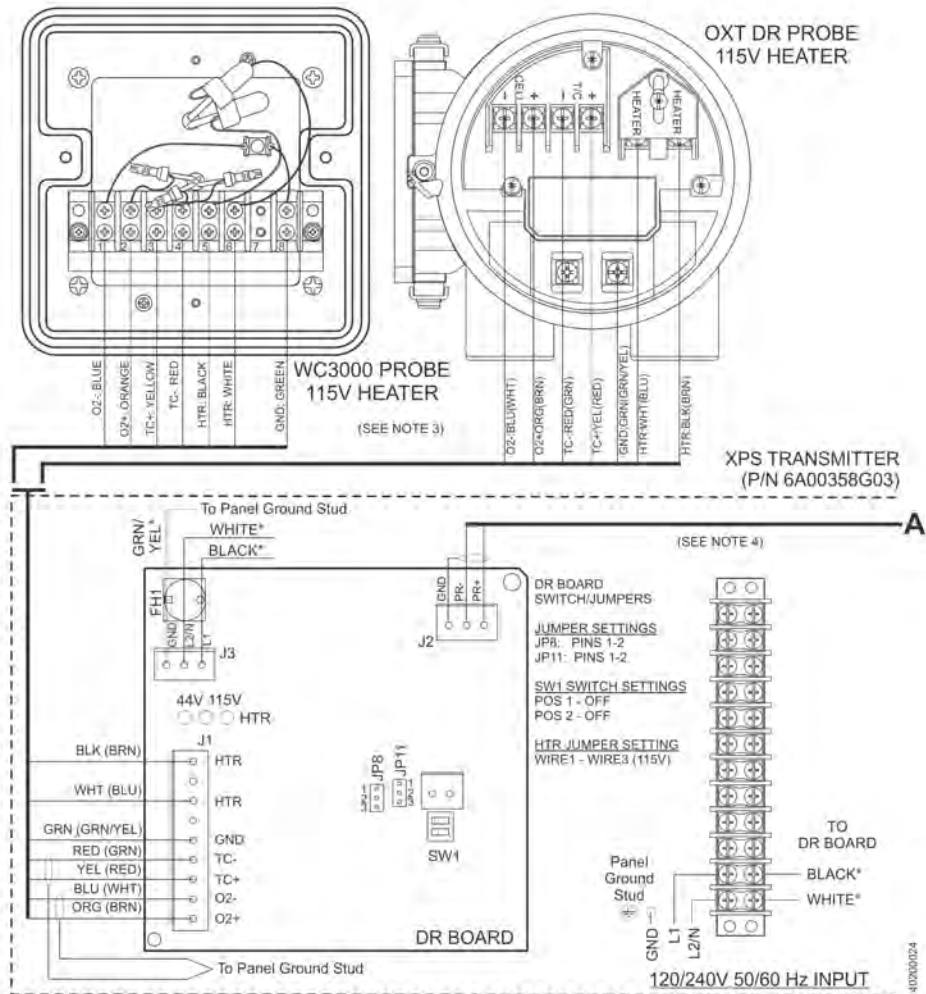


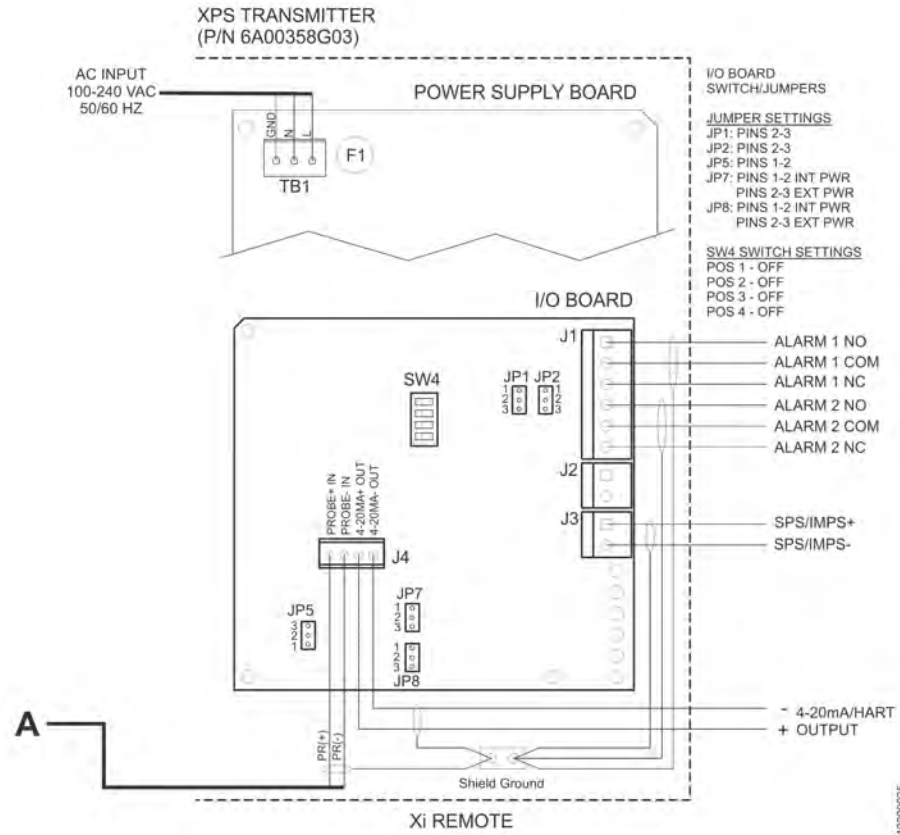


**Figure A-4: Remote XPS 6A00358G03 wiring diagram**

**Notes:**

1. All wiring marked with an asterisk (\*) is factory wiring inside the XPS.
2. Except for JP7 and JP8 on I/O board, jumper and switch settings are factory set and shown for reference only.
3. Disconnect probe cable from HPS and re-terminate to XPS retaining existing cable gland.
4. Disconnect signal cable from HPS and IFT. Re-terminate to XPS and Xi remote using single, shielded, twisted pair.

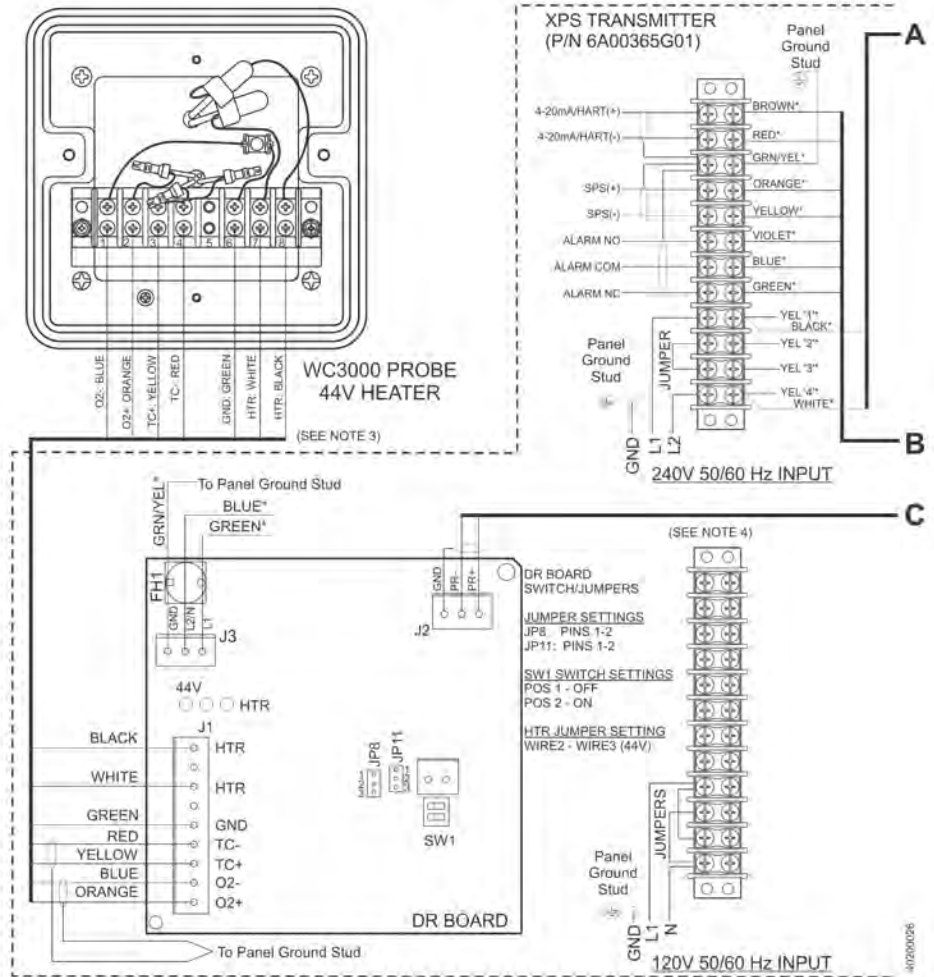


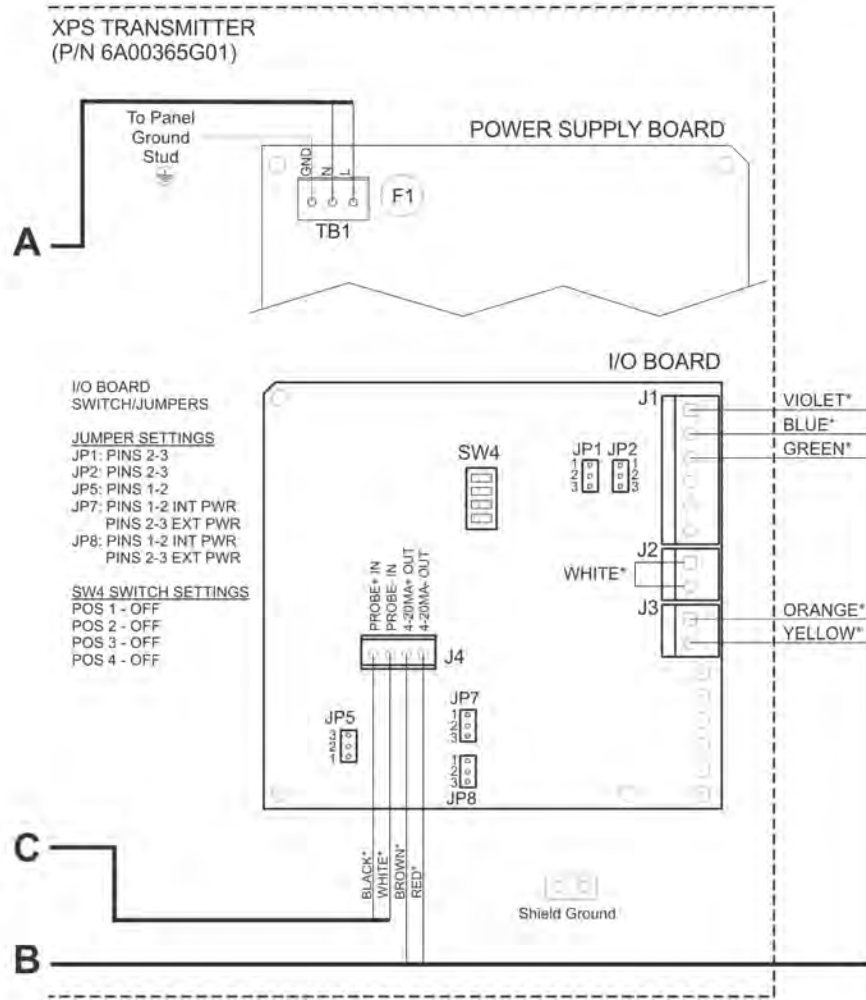


**Figure A-5: Integral XPS 6A00365G01 wiring diagram**



**Notes:**

1. All wiring marked with an asterisk (\*) is factory wiring inside the XPS.
2. Except for JP7 and JP8 on I/O board, jumper and switch settings are factory set and shown for reference only.
3. Disconnect probe cable from HPS and re-terminate to XPS retaining existing cable gland.





## A.2 Specifications

Part number	Description
6A00358G01 for 44 V probes	120/240 V, 50/60 Hz, 140 VA, -4 to 131 °F (-20 to 55 °C), 95% relative humidity, Type 4X, IP66
6A00358G03 for 120 V probes	120/240 V, 50/60 Hz, 776 VA, -4 to 131 °F (-20 to 55 °C), 95% relative humidity, Type 4X, IP66
6A00365G01 for 44 V probes	120/240 V, 50/60 Hz, 140 VA, -4 to 131 °F (-20 to 55 °C), 95% relative humidity, Type 4X, IP66
General purpose certifications	 

## A.3 Recommended spare parts

**Table A-1: Spare parts**

Part number	Description
1A99763H01	Kit, replacement enclosure mounting feet
6A00418G01	Kit, DR board
6A00419G01	Kit, toroid transformer
6A00420G01	Kit, fuses (Reference 3.15 A, 250 V, Littlefuse P/N 218 3.15)



# Appendix B

## Service support

To expedite the return process outside of the United States, contact the nearest Rosemount representative.

Within the United States, call the Emerson Instrument and Valves Response Center using the 1-800-654-RSMT (7768) toll-free number. This center, available 24 hours a day, will assist you with any needed information or materials.

The center will ask for product model and serial numbers and will provide a Return of Material Authorization (RMA) number. The center will also ask for the process material to which the product was last exposed.





**[www.Emerson.com/RosemountGasAnalysis](http://www.Emerson.com/RosemountGasAnalysis)**

Rosemount  
8200 Market Boulevard  
Chanhassen, MN 55317  
Toll Free + 1 800 999 9307  
F +1 952 949 7001  
gas.csc@emerson.com

**[www.Emerson.com/RosemountGasAnalysis](http://www.Emerson.com/RosemountGasAnalysis)**

**EUROPE**

Emerson Automation Solutions  
Neuhofstrasse 19a P.O. Box 1046  
CH-6340 Baar  
Switzerland  
T + 41 (0) 41 768 6111  
F + 41 (0) 41 768 6300  
gas.csc@emerson.com

**[www.Emerson.com/RosemountGasAnalysis](http://www.Emerson.com/RosemountGasAnalysis)**

**MIDDLE EAST AND AFRICA**

Emerson Automation Solutions  
Emerson FZE  
Jebel Ali Free Zone  
Dubai, United Arab Emirates, P.O. Box 17033  
T +971 4 811 8100  
F +971 4 886 5465  
gas.csc@emerson.com

**[www.Emerson.com/RosemountGasAnalysis](http://www.Emerson.com/RosemountGasAnalysis)**

**ASIA-PACIFIC**

Emerson Automation Solutions  
1 Pandan Crescent  
Singapore 128461  
Singapore  
T +65 777 8211  
F +65 777 0947  
gas.csc@emerson.com

**[www.Emerson.com/RosemountGasAnalysis](http://www.Emerson.com/RosemountGasAnalysis)**

©2017 Rosemount. All rights reserved.

The Emerson logo is a trademark and service mark of Emerson Electric Co. Rosemount is a mark of one of the Emerson family of companies. All other marks are the property of their respective owners. The contents of this publication are presented for information purposes only, and, while effort has been made to ensure their accuracy, they are not to be construed as warranties or guarantees, expressed or implied, regarding the products or services described herein or their use or applicability. All sales are governed by our terms and conditions, which are available on request. We reserve the right to modify or improve the designs or specifications of our products at any time without notice.