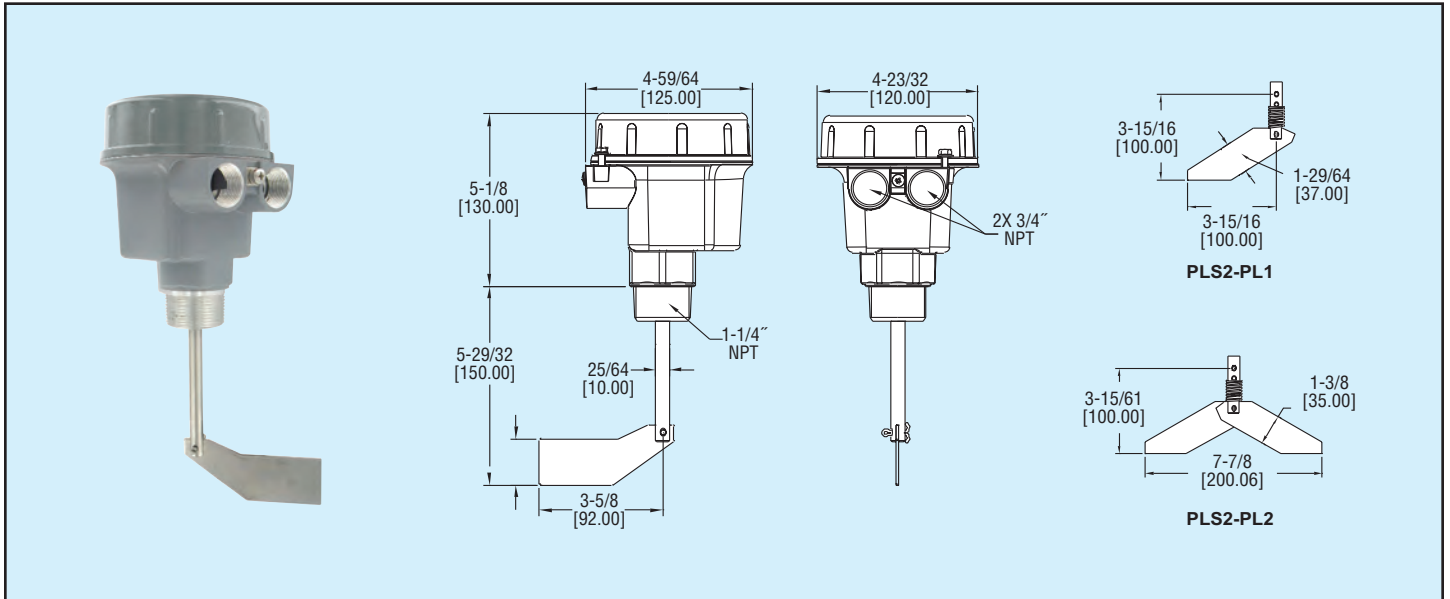


# Paddle Level Switch

## 3 Sensitivity Settings, Top or Side Mounting



The Series PLS2 is an electromechanical level switch designed for level monitoring of bulk materials. The rotating measuring vane is driven by a brushless synchronous motor at one revolution per minute. As product builds up, the paddle rotation is impeded and the resulting motor torque activates the output switch and stops the motor. A spring mechanism reactivates the motor and returns the switch to normal state when the material no longer impedes the paddle rotation. A torque adjusting mechanism eliminates the need for different sized paddles. The PLS2 is designed with the industry standard 1-1/4" male NPT connection and unit can be side or top mounted.

### FEATURES

- 3 sensitivity settings
- Top or side mountable
- Brushless synchronous motor: Assures long term reliability and efficiency
- Motor shuts off when paddle stalls
- Screw cover: For easy access with no worries about losing bolts or screws

### APPLICATION

- Level monitoring of bulk materials

Model	Description
PLS2-E-1-1	Explosion-proof paddle level switch, 115 VAC power supply
PLS2-E-1-2	Explosion-proof paddle level switch, 230 VAC power supply
PLS2-E-1-3	Explosion-proof paddle level switch, 24 VDC power supply

Models include single sided non-spring paddle.

### ACCESSORIES

- PLS2-PL1, Single Sided Spring Paddle
- PLS2-PL2, Double Sided Spring Paddle
- PLS2-EX1, 8.5" Shaft Extension
- PLS2-EX2, 19.6" Shaft Extension
- PLS2-EX3, 39.4" Shaft Extension
- PLS2-EX4, 78.7" Shaft Extension

### SPECIFICATIONS

**Service:** Dry powder or bulk materials compatible with wetted materials.

#### Wetted Materials:

- Paddle: 304 SS;
- Exposed shaft: 303 SS;
- Shaft seal: NBR;
- Process connection: Aluminum.

#### Temperature Limits:

- Process: -13 to 176°F (-25 to 80°C);
- Ambient: -4 to 140°F (-20 to 60°C).

#### Pressure Limit:

11.6 psi (0.8 bar).

#### Power Requirement:

Select by model number: 115 VAC, 230 VAC or 24 VDC.

#### Power Consumption:

AC versions: 4 VA; DC version: 2.5 watt.

#### Enclosure:

Aluminum, powder coated.

#### Enclosure Rating:

NEMA 4 (IP66);

Rated for Class II & III, Div. 1, Group E, F, G.

#### Switch Type:

SPDT micro switch.

#### Electrical Rating:

5 A @ 250 VAC, 3 A @ 30 VDC.

#### Electric Connections:

Screw terminals.

#### Conduit Connection:

3/4" female NPT.

#### Process Connection:

1-1/4" male NPT.

#### Mounting Orientation:

Side or top mounting.

#### Sensitivity:

Min. material density of 6 lb/ft<sup>3</sup> (96 kg/m<sup>3</sup>).

#### Permitted Mechanical Loading:

Standard shaft: 67 lbf (300 N) max;

Optional extension: 22 lbf (100 N) max.

#### Weight:

2.6 lb (1.2 kg).

#### Agency Approvals:

CE, FM.