

Type 240 Pneumatically Actuated Butterfly Valve

Standard Features

- **Size**
2"-12"
- **Body**
Glass filled Polypropylene Compatible with ANSI or DIN flanges
- **Wetted Materials**
PVC, CPVC, PROGEF® Standard Polypropylene, SYGEF® PVDF
- **Disc**
PVC, CPVC, PVDF, or PROGEF Standard Polypropylene
- **Stem**
304 Stainless Steel
- **Seal**
EPDM or FPM
- **Movement**
Fail Open, Fail Closed, and Double Acting
- **Mechanical**
Namur compliant air connection and mounting console for accessories such as positioner and feedback switches
- **Visual Position Indicator**

Optional Features

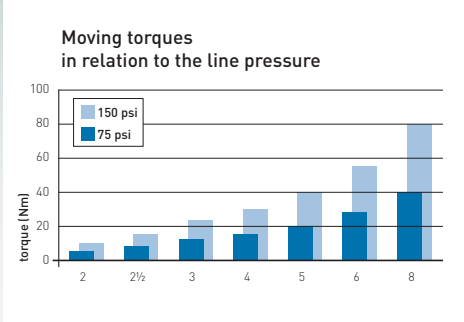
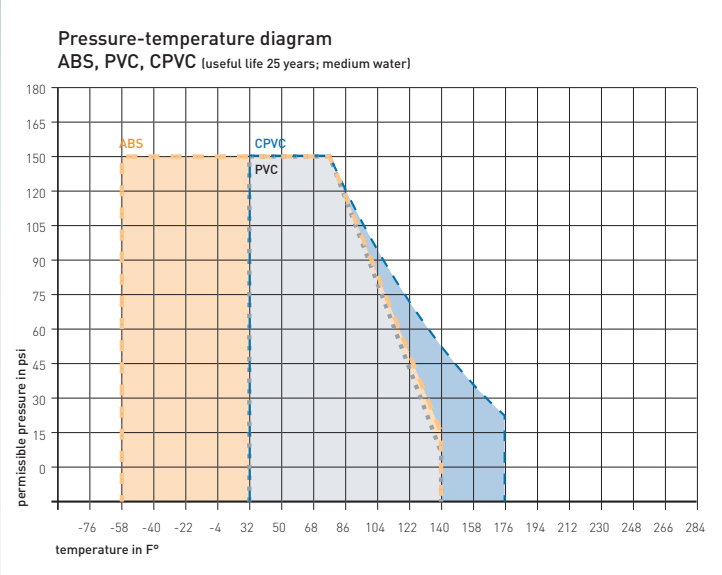
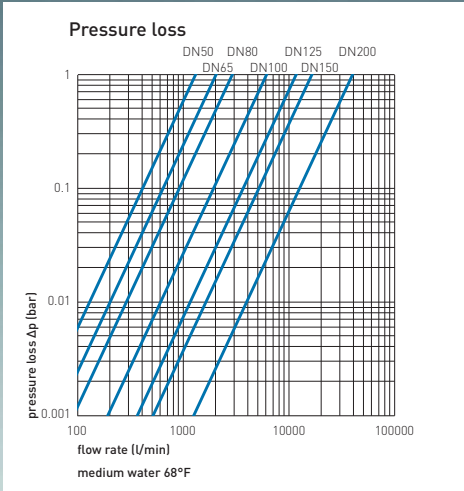
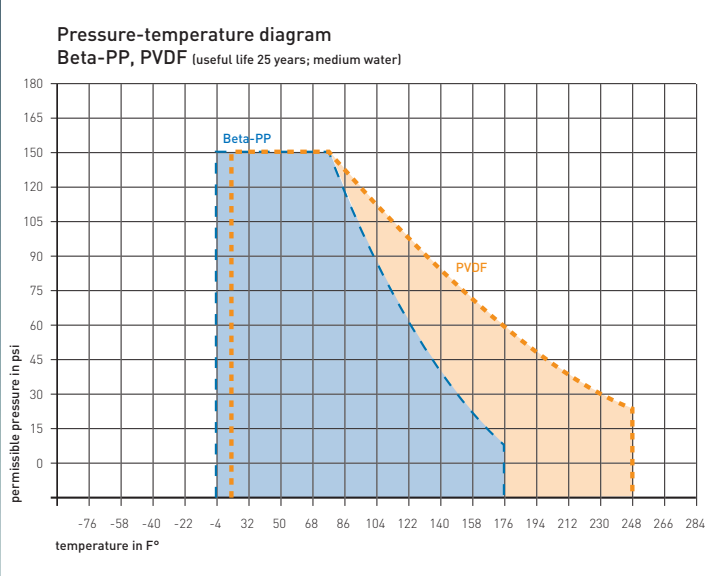
- **Limit switches**
- **Stroke Limiter**
- **Limit Switches**
- **Declutchable Manual Override**
- **Electro-Pneumatic Positioner**

General

The Type 240 series pneumatically actuated wafer style butterfly valve from Georg Fischer is the ultimate choice for the high demands of the industrial world. The unique double eccentric design from Georg Fischer means the disc is not in contact with the seal in the open position. The result is less wear and operating torques that are half that of our previous model. Better chemical compatibility is achieved because the inner body is the same material as the pipe. The unique Q ring design insures a superior seal with virtually any type of flange without the need for additional gaskets. Additionally, the electro-pneumatic positioner, stroke limiter, and feed back switches give flexibility for integration into a wide variety of applications.



Product data for butterfly valves type 240



For non-GF actuators, breakaway torques 2.5 to 4 times the value of the moving torque must be taken into consideration, depending on the application conditions (e.g. control time, medium, temperature, etc.).

Technical specifications Pneumatic Actuators PA30-55

PA 30-55	
	PA30 - PA45
Control Medium	neutral, non aggressive gases (max. 104°F)
Operating pressure	see table below
Max. allowable operating pressure	100 psi
Air connection	1/8" BSP (optional NPT adapter) Namur compliant
Actuation time	1-2 seconds
Actuation angle	90° F
Mode of operation	- Fail-safe close (FC) - Fail-safe open (FO) - Double acting (DA)
Operating temperature	14°F - 176°F
Permissible humidity	0-100%
Position indicator	visual
Housing material	Aluminium hard anodized

Actuator size

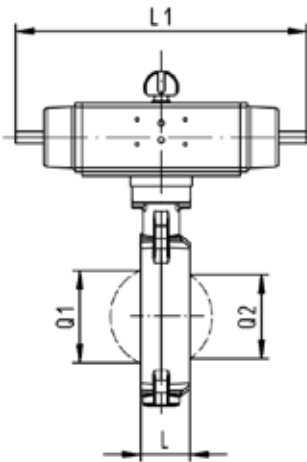
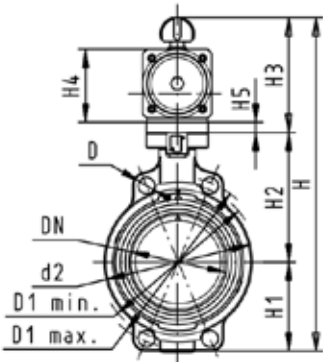
	2	2½	3	4	5	6	8
Fail-safe close (FC)	PA 30	PA 30	PA 35	PA 40	PA 45	PA50	PA55
Fail-safe open (FO)	PA 30	PA 30	PA 35	PA 40	PA 45	PA50	PA55
Double acting (DA)	PA 35	PA 35	PA 40	PA 45	PA 45	PA50	PA55

Operating air pressure

[psi]	2	2½	3	4	5	6	8
Fail-safe close (FC)	41	41	41	61	61	61	61
Fail-safe open (FO)	41	41	41	61	61	61	61
Double acting (DA)	43	43	43	43	58	43	58

Type 240 Pneumatically Actuated Butterfly Valve

Without manual override



Inch	Cv-value [gal/min]	psi	Actuator unit type	D [mm]	D1 min. [mm]	D1 max. [mm]	d2 [mm]	H [mm]	H1 [mm]
2	103	150	PA-30 FC	19	120.0	125.0	104	327	77
2½	154	150	PA-30 FC	19	139.7	145.0	115	340	83
3	210	150	PA-35 FC	19	150.0	160.0	131	361	89
4	455	150	PA-40 FC	19	175.0	190.5	161	400	104
5	805	150	PA-45 FC	23	210.0	215.9	187	436	117
6	1162	150	PA-50 FC	24	241.3	241.3	215	468	130
8	2772	150	PA-55 FC	23	290.0	295.0	267	529	158
10	3865	150	PA-65 FC	25	353.0	362.0	329	808	205
12	5600	150	PA-70 FC	25	432.0	432.0	379	866	228

H2 [mm]	H3 [mm]	H4 [mm]	L [mm]	L1 [mm]	L2 [mm]	Q1 [mm]	Q2 [mm]
134	117	70	45	276	65	35.74	
140	117	70	46	276	65	50.93	30.62
146	126	78	49	326	72	64.01	46.24
167	129	86	56	370	80	84.46	69.96
181	139	96	64	411	90	110.71	94.50
189	149	106	72	423	100	136.08	121.54
210	161	118	73	452	112	175.62	166.23
264	191	148	113	648	137	210	207
285	196	157	113	663	145	256	253

GF Piping Systems → worldwide at home

Our sales companies and representatives ensure local customer support in over 100 countries.

www.piping.georgfischer.com



The technical data is not binding. They neither constitute expressly warranted characteristics nor guaranteed properties nor a guaranteed durability. They are subject to modification. Our General Terms of Sale apply.

Adding Quality to People's Lives

Australia

George Fischer Pty Ltd
Riverwood NSW 2210 Australia
Phone +61(0)2 9502 8000
australia.ps@georgfischer.com
www.georgfischer.com.au

Austria

George Fischer
Rohrleitungssysteme GmbH
3130 Herzogenburg
Phone +43(0)2782 856 43-0
austria.ps@georgfischer.com
www.georgfischer.at

Belgium/Luxembourg

George Fischer NV/SA
1070 Bruxelles/Brüssel
Phone +32(0)2 556 40 20
be.ps@georgfischer.com
www.georgfischer.be

Brazil

George Fischer Ltda
04795-100 São Paulo
Phone +55(0)11 5687 1311
br.ps@georgfischer.com

Canada

George Fischer Piping Systems Ltd
Brampton, ON L6T 4E3
Phone +1(905) 792-8005
ca.ps@georgfischer.com
www.gfiping.ca

China

George Fischer
Piping Systems Ltd Shanghai
Pudong, Shanghai 201319
Phone +86(0)21 58 13 33 33
china.ps@georgfischer.com
www.cn.piping.georgfischer.com

Denmark/Iceland

Georg Fischer A/S
2630 Taastrup
Phone +45 (0)70 22 19 75
info.dk.ps@georgfischer.com
www.georgfischer.dk

France

Georg Fischer SAS
95932 Roissy Charles de Gaulle Cedex
Phone +33(0)1 41 84 68 84
fr.ps@georgfischer.com
www.georgfischer.fr

Germany

Georg Fischer GmbH
73095 Albershausen
Phone +49(0)7161 302-0
info.de.ps@georgfischer.com
www.georgfischer.de

India

George Fischer Piping Systems Ltd
400 076 Mumbai
Phone +91 224007 2001
in.ps@georgfischer.com
www.georgfischer.in

Italy

Georg Fischer S.p.A.
20063 Cernusco S/N (MI)
Phone +3902 921 861
it.ps@georgfischer.com
www.georgfischer.it

Japan

George Fischer Ltd
556-0011 Osaka,
Phone +81(0)6 6635 2691
jp.ps@georgfischer.com
www.georgfischer.jp

Korea

Georg Fischer Piping Systems
Guro-3 dong, Guro-gu, Seoul, Korea
Phone +82(0)2 2081 1450
Fax +82(0)2 2081 1453
kor.ps@georgfischer.com

Malaysia

Georg Fischer (M) Sdn. Bhd.
40460 Shah Alam, Selangor
Phone +60 (0)3 5122 5585
conne.kong@georgfischer.com

Mexico

Georg Fischer S.A. de C.V.
Apodaca, Nuevo Leon
CP66636 Mexico
Phone +52 (81)1340 8586
Fax +52 (81)1522 8906

Middle East

Georg Fischer Piping Systems
Dubai, United Arab Emirates
Phone +971 4 289 49 60
info.export@georgfischer.com
www.export.georgfischer.com

Netherlands

Georg Fischer N.V.
8161 PA Epe
Phone +31(0)578 678 222
nl.ps@georgfischer.com
www.georgfischer.nl

Norway

George Fischer AS
1351 Rud
Phone +47(0)67 18 29 00
no.ps@georgfischer.com
www.georgfischer.no

Poland

Georg Fischer Sp. z o.o.
02-226 Warszawa
Phone +48(0)22 313 10 50
poland.ps@georgfischer.com
www.georgfischer.pl

Romania

Georg Fischer
Piping Systems Ltd
020257 Bucharest - Sector 2
Phone +40(0)21 230 53 80
ro.ps@georgfischer.com
www.export.georgfischer.com

Russia

Georg Fischer Piping Systems
Moscow 125047
Tel. +7 495 258 60 80
ru.ps@georgfischer.com
www.georgfischer.ru

Singapore

George Fischer Pte Ltd
528 872 Singapore
Phone +65(0)67 47 06 11
sgp.ps@georgfischer.com
www.georgfischer.com.sg

Spain/Portugal

Georg Fischer S.A.
28046 Madrid
Phone +34(0)91 781 98 90
es.ps@georgfischer.com
www.georgfischer.es

Sweden/Finland

Georg Fischer AB
12523 Älvsjö-Stockholm
Phone +46(0)8 506 775 00
info.se.ps@georgfischer.com
www.georgfischer.se

Switzerland

Georg Fischer
Rohrleitungssysteme (Schweiz) AG
8201 Schaffhausen
Phone +41(0)52 631 30 26
ch.ps@georgfischer.com
www.piping.georgfischer.ch

Taiwan

George Fischer Piping Systems
San Chung City, Taipei Hsien
Phone +886 2 8512 2822
Fax +886 2 8512 2823

United Kingdom/Ireland

George Fischer Sales Limited
Coventry, CV2 2ST
Phone +44(0)2476 535 535
uk.ps@georgfischer.com
www.georgfischer.co.uk

USA/Latin America/Caribbean

Georg Fischer LLC
Tustin, CA 92780-7258
Phone +1(714) 731 88 00
Toll Free 800 854 40 90
us.ps@georgfischer.com
www.us.piping.georgfischer.com