

Type 231, 232, 233 Pneumatically Actuated Ball Valve

Standard Features

- **Size**
3/8" - 4"
- **Material**
PVC, CPVC, PROGEF® Standard, Polypropylene, SYGEF® PVDF
- **Connection Ends**
Socket, Flanged, Spigot (PVDF and PP only), Threaded to 2" (up to 4" in PVC)
- **Seat**
PTFE
- **Seals**
EPDM or FPM
- **Mounting**
Stainless steel threaded inserts for easy and secure mounting
- **Movement**
Fail open, fail closed, and double acting
- **Mechanical**
Namur compliant air connection and mounting console for accessories such as positioner and feed back switches
- **Visual position indicator**



Optional Features

- Solenoid air control valve
- Stroke limiter
- Limit switches
- Declutchable Manual Override
- Electro-pneumatic positioner

General

The Type 230 series pneumatically actuated ball valve from Georg Fischer is the ultimate choice for the high demands of the industrial world. It is available in PVC, CPVC, Polypropylene, and PVDF material. The valve can be configured for throttling or for simple open/close functionality. The optional declutchable manual override is ideal for applications where emergency operation of the valve is required. Additionally, the electro-pneumatic positioner, stroke limiter, and feed back switches give flexibility for integration into a wide variety of applications.

Technical specifications Pneumatic Actuators 11/21 and 30-45

	PA 11/21	PA 30-45
	PA11/PA21	PA30 - PA45
Control Medium	neutral, non aggressive gases (max. 104°F)	neutral, non aggressive gases (max. 104°F)
Operating pressure	60 psi	see table below
Max. allowable operating pressure	100 psi	100 psi
Air connection	1/8" BSP (optional NPT adapter) Namur compliant	1/8" BSP (optional NPT adapter) Namur compliant
Actuation time	1-2 seconds	1-2 seconds
Actuation angle	90° F	90° F
Mode of operation	<ul style="list-style-type: none"> - Fail-safe close (FC) - Fail-safe open (FO) - Double acting (DA) 	<ul style="list-style-type: none"> - Fail-safe close (FC) - Fail-safe open (FO) - Double acting (DA)
Operating temperature	14°F - 122°F	14°F - 176°F
Permissible humidity	0-100%	0-100%
Position indicator	visual	visual
Housing material	PP - glass filled	Aluminium hard anodized

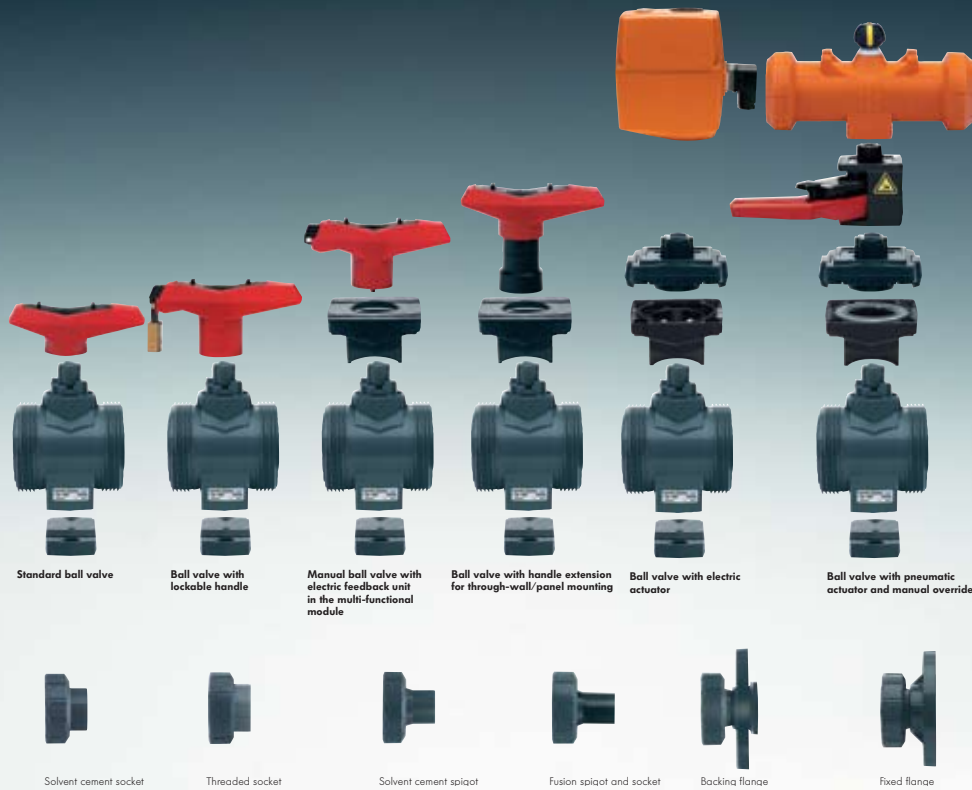
Actuator size

	3/8	1/2	3/4	1	1 1/4	1 1/2	2	2 1/2	3	4
Fail-safe close (FC)	PA 11	PA 11	PA 11	PA 11	PA 21	PA 21	PA 21	PA 30	PA 35	PA 40
Fail-safe open (FO)	PA 11	PA 11	PA 11	PA 11	PA 21	PA 21	PA 21	PA 30	PA 35	PA 40
Double acting (DA)	PA 11	PA 11	PA 11	PA 11	PA 21	PA 21	PA 21	PA 35	PA 40	PA 45

Operating air pressure

[psi]	3/8	1/2	3/4	1	1 1/4	1 1/2	2	2 1/2	3	4
Fail-safe close (FC)	60	60	60	60	60	60	60	43	60	60
Fail-safe open (FO)	60	60	60	60	60	60	60	43	60	60
Double acting (DA)	60	60	60	60	60	60	60	43	43	72

Ideal for Virtually any application

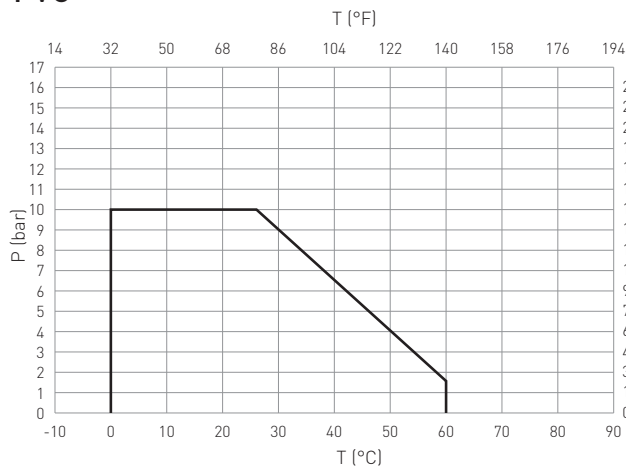


Technical Data

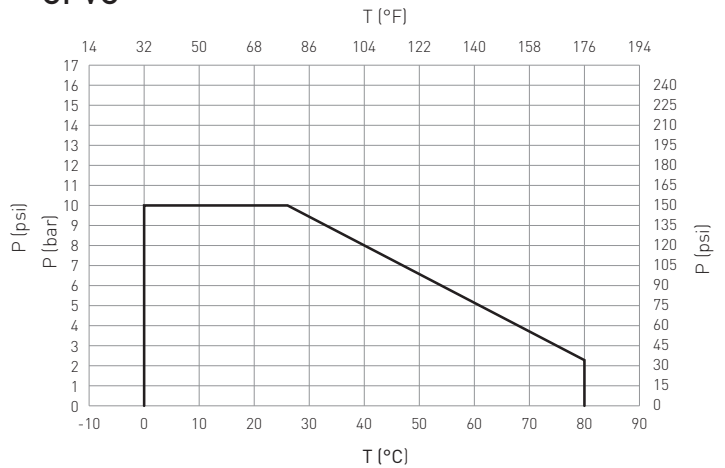
Pressure-Temperature Diagrams Technical data for Type 231, 232, 233 Ball Valves 3/8"-4"

The following pressure temperature diagrams are based on a lifetime of 25 years and the medium water or similar media

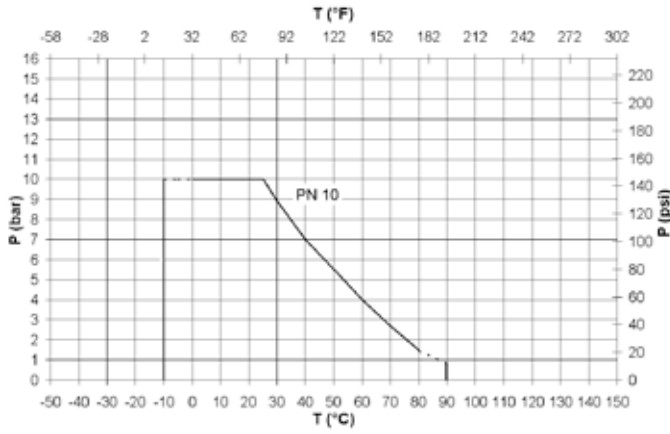
PVC



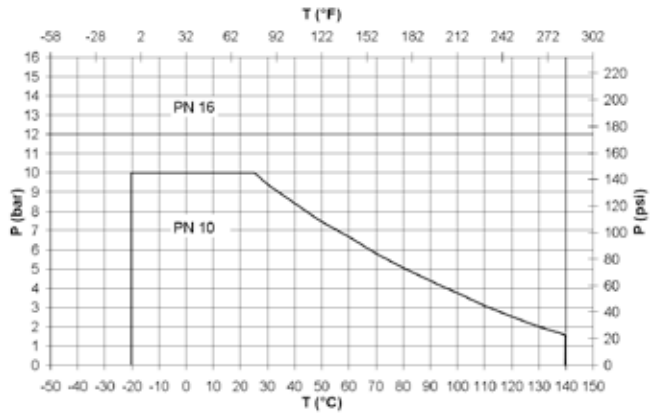
CPVC



PP

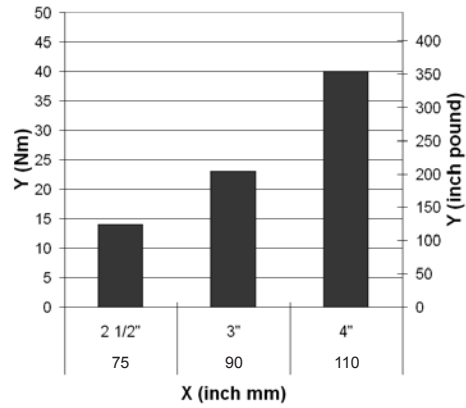
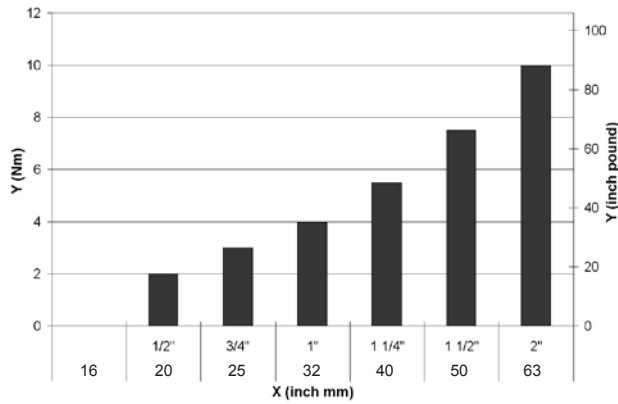


PVDF



Operating Torque

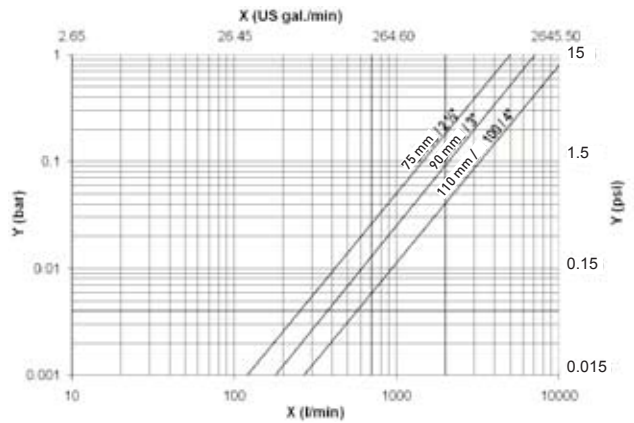
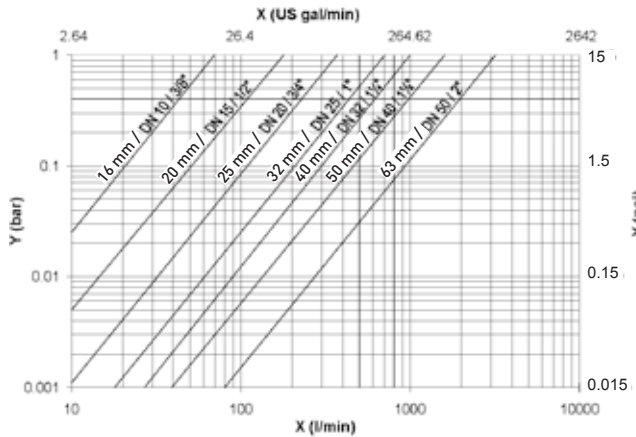
Average values at nominal pressure



X Size (mm, inch)

Y Torque (Nm, inch pound)

Pressure loss



Medium: water, 20°C

X Flow rate (l/min / U.S. gal/min)

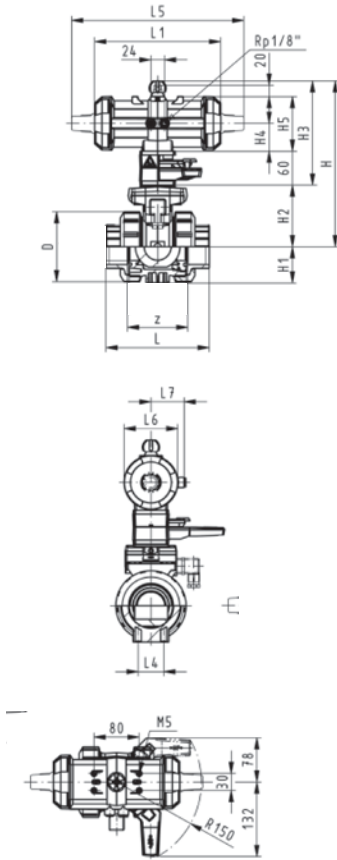
Y Pressure loss Δp (bar / psi)

PVC/CPVC

Type 233 Pneumatically Actuated Ball Valve

With manual override

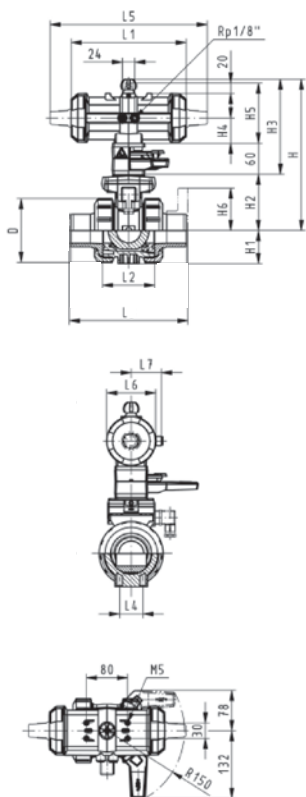
With solvent cement sockets/threaded NPT



Inch	Cv-value [gal/min]	psi		D [mm]	H [mm]	H1 [mm]	H2 [mm]	H3 [mm]	H4 [mm]
		socket	NPT						
3/8	4.9	150	150	50	230	27	62	168	40
1/2	12.9	150	150	50	230	27	62	168	40
3/4	24.5	150	150	58	239	30	71	168	40
1	49.0	150	150	68	239	36	71	168	40
1 1/4	70.0	150	150	84	271	44	84	187	51
1 1/2	112.0	150	150	97	271	51	84	187	51
2	217.1	150	150	124	293	64	106	187	51

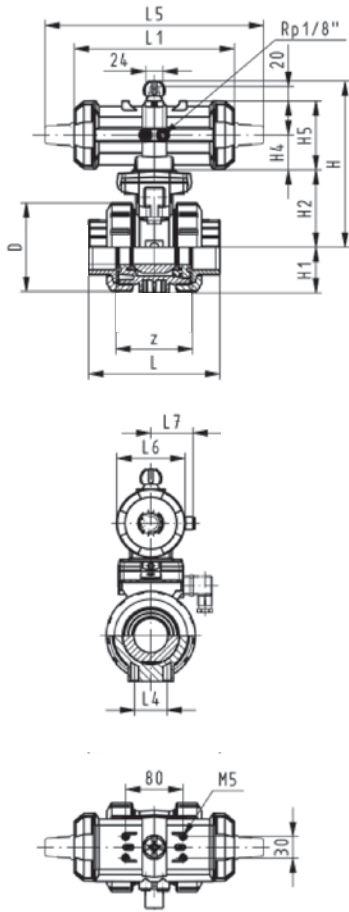
H5 [mm]	L [mm]		L1 [mm]	L4 [mm]	L5 [mm]	L6 [mm]	L7 [mm]	L8 [mm]	z [mm]
	Sockets	NPT							
97	105	98	194	25	261	76	48	76	64
97	105	98	194	25	261	76	48	76	64
97	121	111	194	25	261	76	48	76	72
97	133	127	194	25	261	76	48	76	79
115	154	147	224	45	305	95	59	95	94
115	164	157	224	45	305	95	59	95	95
115	183	183	224	45	305	95	59	95	107

With flanges, ANSI



Inch	psi	Cv-value [gal/min]	D [mm]	H [mm]	H1 [mm]	H2 [mm]	H3 [mm]	H5 [mm]	L [mm]
1/2	150	12.9	50	230	27	62	168	97	149
3/4	150	24.5	58	239	30	71	168	97	165
1	150	49.0	68	239	36	71	168	97	184
1 1/4	150	70.0	84	271	44	84	187	115	206
1 1/2	150	112.0	97	271	51	84	187	115	221
2	150	217.0	124	293	64	106	187	115	251

L1 [mm]	L2 [mm]	L4 [mm]	L5 [mm]	L6 [mm]	L7 [mm]
194	56	25	261	76	48
194	65	25	261	76	48
194	71	25	261	76	48
224	85	45	305	95	59
224	89	45	305	95	59
224	101	45	305	95	59



Without manual override

With solvent cement sockets/threaded NPT

Inch	Cv-value [gal/min]	psi		D [mm]	H [mm]	H1 [mm]	H2 [mm]	H4 [mm]	H5 [mm]
		Socket	NPT						
3/8	4.9	150	150	50	167	27	62	40	97
1/2	12.9	150	150	50	167	27	62	40	97
3/4	24.5	150	150	58	176	30	71	40	97
1	49.0	150	150	68	176	36	71	40	97
1 1/4	70.0	150	150	84	210	44	84	51	115
1 1/2	112.0	150	150	97	210	51	84	51	115
2	217.0	150	150	124	232	64	106	51	115
2 1/2	350.0	150	150	166	262	85	156		70
3	490.0	150	150	200	281	105	168		78
4	770.0	150	150	238	292	123	175		86

L [mm]		L1 [mm]	L4 [mm]	L5 [mm]	L6 [mm]	L7 [mm]	z [mm]
Socket	NPT						
105	98	194	25	261	76	48	64
105	98	194	25	261	76	48	64
121	111	194	25	261	76	48	72
133	127	194	25	261	76	48	79
154	147	224	45	305	95	59	94
164	157	224	45	305	95	59	95
183	183	224	45	305	95	59	107
233	234	218	70	276	65		144
254	255	259	70	341	72		151
301	302	287	120	369	80		174

Without manual override

With flanges, ANSI

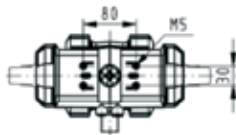
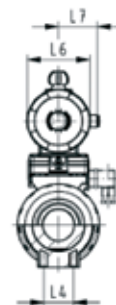
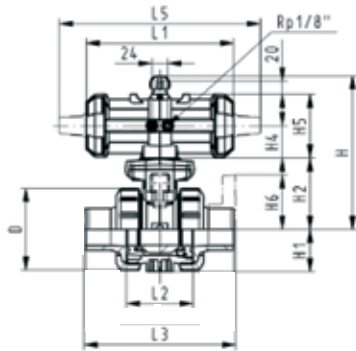
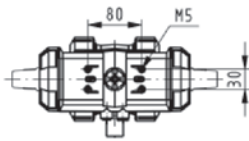
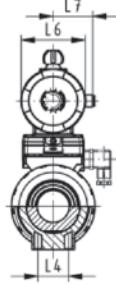
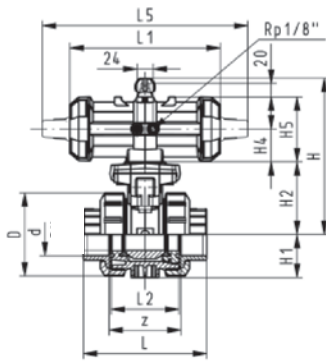
Inch	Cv-value [gal/min]	psi	D [mm]	H [mm]	H1 [mm]	H2 [mm]	H4 [mm]	H5 [mm]
1/2	12.9	150	50	167	27	62	40	97
3/4	24.5	150	58	176	30	71	40	97
1	49.0	150	68	176	36	71	40	97
1 1/4	70.0	150	84	210	44	84	51	115
1 1/2	112.0	150	97	210	51	84	51	115
2	217.0	150	124	232	64	106	51	115
2 1/2	350.0	150	166	262	85	156		70
3	490.0	150	200	281	105	168		78
4	770.0	150	238	292	123	175		86

L [mm]	L1 [mm]	L2 [mm]	L4 [mm]	L5 [mm]	L6 [mm]	L7 [mm]	z [mm]
149	194	56	25	261	76	48	60
165	194	65	25	261	76	48	60
184	194	71	25	261	76	48	69
206	224	85	45	305	95	59	75
221	224	89	45	305	95	59	89
251	224	101	45	305	95	59	110
311	218	136	70	276	65		144
343	259	141	70	341	72		151
397	287	164	120	369	80		174

PROGEF® Standard Polypropylene Type 231 Pneumatically Actuated Ball Valve

Without manual override

With fusion sockets metric



d	Cv-value [gal/min]	psi	D [mm]	H [mm]	H1 [mm]	H2 [mm]	H4 [mm]	H5 [mm]	L [mm]
16	4.9	150	50	167	27	62	40	97	93
20	12.9	150	50	167	27	62	40	97	95
25	24.5	150	58	176	30	71	40	97	108
32	49.0	150	68	176	36	71	40	97	118
40	70.0	150	84	210	44	84	51	115	137
50	112.0	150	97	210	51	84	51	115	147
63	217.0	150	124	232	64	106	51	115	168
75	350.00	150	166	262	85	156		70	233
90	490.00	150	200	281	105	168		78	254
110	770.00	150	238	292	123	175		86	301

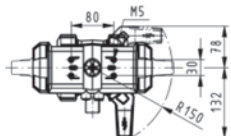
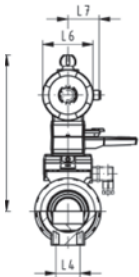
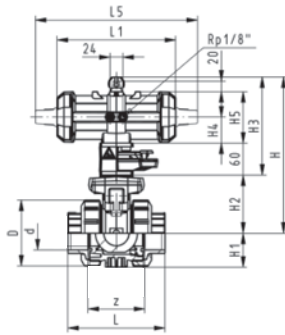
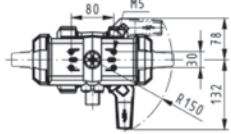
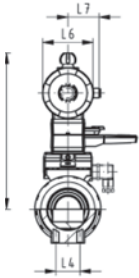
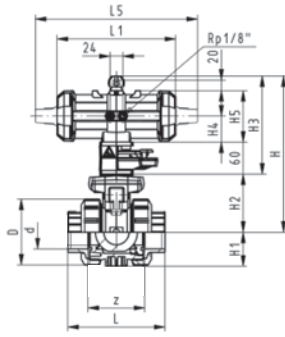
L1 [mm]	L4 [mm]	L5 [mm]	L6 [mm]	L7 [mm]	z [mm]
194	25	261	76	48	67
194	25	261	76	48	66
194	25	261	76	48	77
194	25	261	76	48	83
224	45	305	95	59	99
224	45	305	95	59	105
224	45	305	95	59	117
218	70	276	65		167
259	70	341	72		180
287	120	369	80		215

With flanges ANSI

Inch	Cv-value [gal/min]	psi	D [mm]	H [mm]	H1 [mm]	H2 [mm]	H4 [mm]	H5 [mm]	L [mm]
1/2	12.9	150	50	167	27	62	40	97	149
3/4	24.5	150	58	176	30	71	40	97	165
1	49.0	150	68	176	36	71	40	97	184
1 1/4	70.0	150	84	210	44	84	51	115	206
1 1/2	112.0	150	97	210	51	84	51	115	221
2	217.0	150	124	232	64	106	51	115	251
2 1/2	350.0	150	166	262	85	156		70	311
3	490.0	150	200	281	105	168		78	343
4	770.0	150	238	292	123	175		86	397

L2 [mm]	L4 [mm]	L5 [mm]	L6 [mm]	L7 [mm]
56	25	261	76	48
65	25	261	76	48
71	25	261	76	48
85	45	305	95	59
89	45	305	95	59
101	45	305	95	59
136	70	276	65	
141	70	341	72	
164	120	369	80	

With manual override
With fusion sockets metric



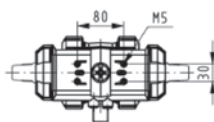
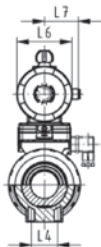
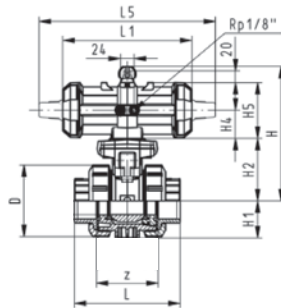
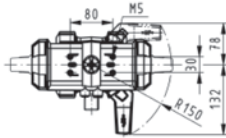
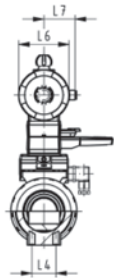
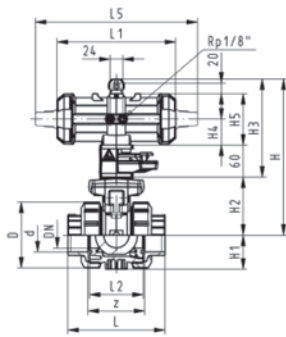
d	Cv-value [gal/min]	psi	D [mm]	H [mm]	H1 [mm]	H2 [mm]	H3 [mm]	H4 [mm]	H5 [mm]
20	12.9	150	50	230	27	62	168	40	97
25	24.5	150	58	239	30	71	168	40	97
32	49.0	150	68	239	36	71	168	40	97
40	70.0	150	84	271	44	84	187	51	115
50	112.0	150	97	271	51	84	187	51	115
63	217.0	150	124	293	64	106	187	51	115

L [mm]	L1 [mm]	L4 [mm]	L5 [mm]	L6 [mm]	L7 [mm]	z [mm]
95	194	25	261	76	48	66
108	194	25	261	76	48	77
118	194	25	261	76	48	83
137	224	45	305	95	59	99
147	224	45	305	95	59	105
168	224	45	305	95	59	117

With threaded NPT

inch	Cv-value [gal/min]	psi	D [mm]	H [mm]	H1 [mm]	H2 [mm]	H3 [mm]	H4 [mm]	H5 [mm]
3/8	4.9	150	50	230	27	62	168	40	97
1/2	12.9	150	50	230	27	62	168	40	97
1/4	24.5	150	58	239	30	71	168	40	97
1	49.0	150	68	239	36	71	168	40	97
1 1/4	70.0	150	84	271	44	84	187	51	115
1 1/2	112.0	150	97	271	51	84	187	51	115
2	217.0	150	124	293	64	106	187	51	115

L [mm]	L1 [mm]	L4 [mm]	L5 [mm]	L6 [mm]	L7 [mm]	z [mm]
93	194	25	261	76	48	67
99	194	25	261	76	48	64
111	194	25	261	76	48	76
127	194	25	261	76	48	83
146	224	45	305	95	59	100
157	224	45	305	95	59	111
183	224	45	305	95	59	134



With flanges ANSI

d	Cv-value [gal/min]	psi	D [mm]	H [mm]	H1 [mm]	H2 [mm]	H3 [mm]	H4 [mm]	H5 [mm]
1/2	12.9	150	50	230	27	62	168	40	97
3/4	24.5	150	58	239	30	71	168	40	97
1	49.0	150	68	239	36	71	168	40	97
1 1/4	70.0	150	84	271	44	84	187	51	115
1 1/2	112.0	150	97	271	51	84	187	51	115
2	217.0	150	124	293	64	106	187	51	115

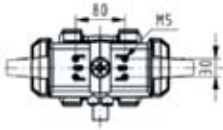
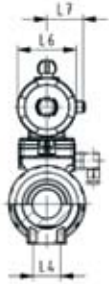
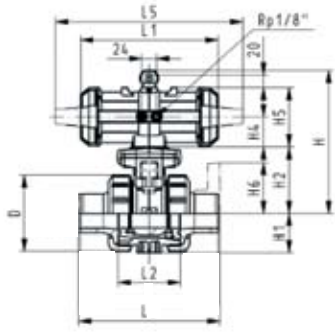
L [mm]	L1 [mm]	L2 [mm]	L3 [mm]	L4 [mm]	L5 [mm]	L6 [mm]	L7 [mm]
166	194	56	130	25	261	76	48
177	194	65	150	25	261	76	48
191	194	71	160	25	261	76	48
209	224	85	180	45	305	95	59
229	224	89	200	45	305	95	59
253	224	101	230	45	305	95	59

With threaded NPT

inch	Cv-value [gal/min]	psi	D [mm]	H [mm]	H1 [mm]	H2 [mm]	H4 [mm]	H5 [mm]
3/8	4.9	150	50	167	27	62	40	97
1/2	12.9	150	50	167	27	62	40	97
3/4	24.5	150	58	176	30	71	40	97
1	49.0	150	68	176	36	71	40	97
1 1/4	70.0	150	84	210	44	84	51	115
1 1/2	112.0	150	97	210	51	84	51	115
2	217.0	150	124	232	64	106	51	115

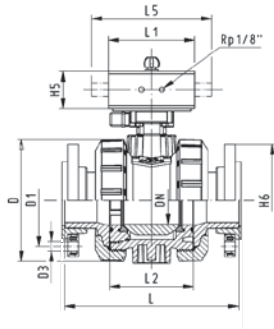
L [mm]	L1 [mm]	L4 [mm]	L5 [mm]	L6 [mm]	L7 [mm]	z [mm]
96	194	25	261	76	48	67
99	194	25	261	76	48	66
111	194	25	261	76	48	77
127	194	25	261	76	48	83
146	224	45	305	95	59	99
157	224	45	305	95	59	105
183	224	45	305	95	59	117

With flanges ANSI



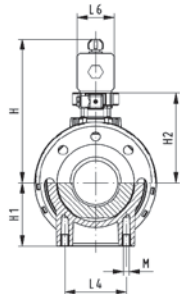
d	Cv-value [gal/min]	psi	D [mm]	H [mm]	H1 [mm]	H2 [mm]	H4 [mm]	H5 [mm]	H5 [mm]
1/2	12.9	150	50	167	27	62	40	97	48
3/4	24.5	150	58	176	30	71	40	97	53
1	49.0	150	68	176	36	71	40	97	58
1 1/4	70.0	150	84	210	44	84	51	115	70
1 1/2	112.0	150	97	210	51	84	51	115	75
2	217.0	150	124	232	64	106	51	115	83

L [mm]	L1 [mm]	L2 [mm]	L4 [mm]	L5 [mm]	L6 [mm]	L7 [mm]
166	194	56	25	261	76	48
177	194	65	25	261	76	48
191	194	71	25	261	76	48
209	224	85	45	305	95	59
229	224	89	45	305	95	59
253	224	101	45	305	95	59



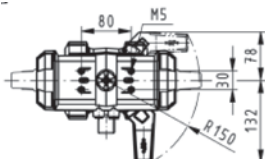
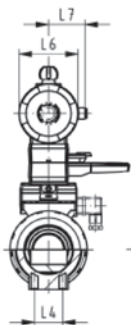
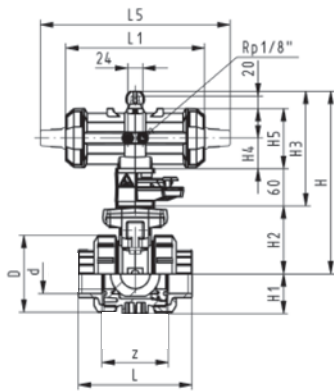
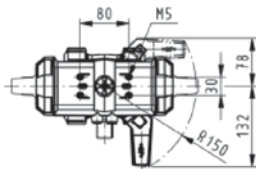
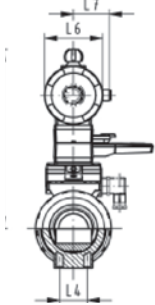
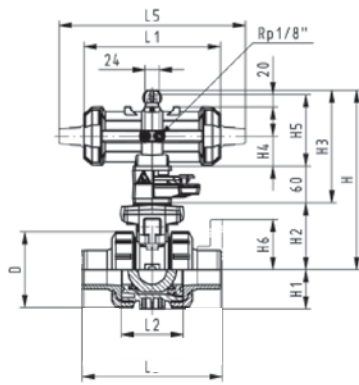
d	Cv-value [gal/min]	psi	D [mm]	H [mm]	H1 [mm]	H2 [mm]	H5 [mm]	H6 [mm]	L [mm]
2 1/2	350	150	166	262	85	156	70	93	416
3	490	150	200	281	105	168	78	100	414
4	770	150	238	292	123	178	86	115	451

L1 [mm]	L2 [mm]	L4 [mm]	L5 [mm]	L6 [mm]
218	136	70	276	65
259	141	70	341	72
287	164	120	369	80



SYGEF® Standard PVDF Type 232 Pneumatically Actuated Ball Valve

With manual override
With butt fusion spigots



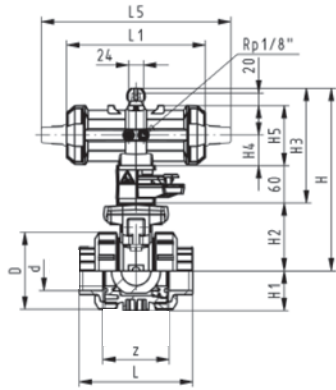
Inch	Cv-value [gal/min]	psi	D [mm]	H [mm]	H1 [mm]	H2 [mm]	H4 [mm]	H5 [mm]	L [mm]
20	12.9	150	50	167	27	62	40	97	95
25	24.5	150	58	176	30	71	40	97	110
32	49.0	150	68	176	36	71	40	97	123
40	70.0	150	84	210	44	84	51	115	146
50	112.0	150	97	210	51	84	51	115	157
63	217.0	150	124	232	64	106	51	115	183

L1 [mm]	L2 [mm]	L4 [mm]	L5 [mm]	L6 [mm]	L7 [mm]
194	56	25	261	76	48
194	65	25	261	76	48
194	71	25	261	76	48
224	85	45	305	95	59
224	89	45	305	95	59
224	101	45	305	95	59

With fusion sockets metric

Inch	Cv-value [gal/min]	psi	D [mm]	H [mm]	H1 [mm]	H2 [mm]	H4 [mm]	H5 [mm]	L [mm]
16	4.9	150	50	230	27	62	40	97	92
20	12.9	150	50	230	27	62	40	97	95
25	24.5	150	58	239	30	71	40	97	110
32	49.0	150	68	239	36	71	40	97	123
40	70.0	150	84	271	44	84	51	115	146
50	112.0	150	97	271	51	84	51	115	157
63	217.0	150	124	293	64	106	51	115	183

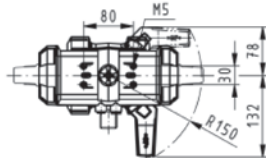
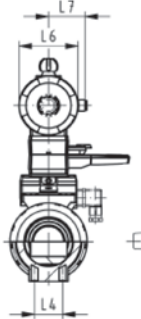
L1 [mm]	L4 [mm]	L5 [mm]	L6 [mm]	L7 [mm]	z [mm]
194	25	261	76	48	64
194	25	261	76	48	64
194	25	261	76	48	72
194	25	261	76	48	79
224	45	305	95	59	94
224	45	305	95	59	95
224	45	305	95	59	107



With threaded NPT

Inch	Cv-value [gal/min]	psi	D [mm]	H [mm]	H1 [mm]	H2 [mm]	H3 [mm]	H4 [mm]	H5 [mm]
16	4.9	150	50	230	27	62	168	40	97
20	12.9	150	50	230	27	62	168	40	97
25	24.5	150	58	239	30	71	168	40	97
32	49.0	150	68	239	36	71	168	40	97
40	70.0	150	84	271	44	84	187	51	115
50	112.0	150	97	271	51	84	187	51	115
63	217.0	150	124	293	64	106	187	51	115

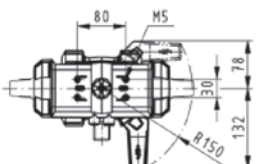
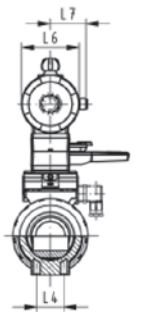
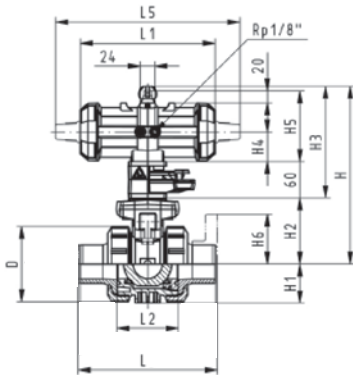
L [mm]	L1 [mm]	L4 [mm]	L5 [mm]	L6 [mm]	L7 [mm]	z [mm]
96	194	25	261	76	48	69
99	194	25	261	76	48	64
111	194	25	261	76	48	76
127	194	25	261	76	48	83
146	224	45	305	95	59	101
157	224	45	305	95	59	111
183	224	45	305	95	59	135



With flanges ANSI

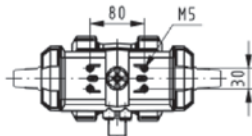
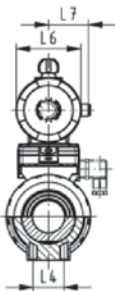
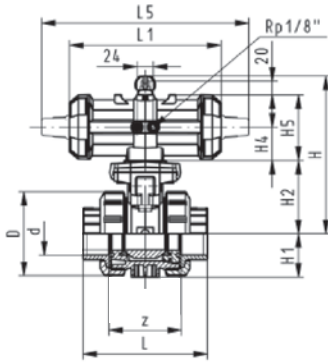
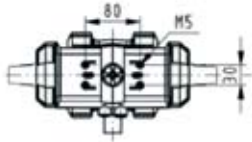
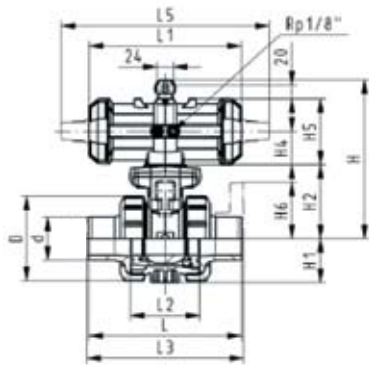
Inch	Cv-value [gal/min]	psi	D [mm]	H [mm]	H1 [mm]	H2 [mm]	H3 [mm]	H4 [mm]	H5 [mm]
1/2	12.9	150	50	230	27	62	168	40	97
3/4	24.5	150	58	239	30	71	168	40	97
1	49.0	150	68	239	36	71	168	40	97
1 1/4	70.0	150	84	271	44	84	187	51	115
1 1/2	112.0	150	97	271	51	84	187	51	115
2	217.0	150	124	293	64	106	187	51	115

H6 [mm]	L [mm]	L1 [mm]	L2 [mm]	L4 [mm]	L5 [mm]	L6 [mm]	L7 [mm]
48	174	194	56	25	261	76	48
53	189	194	65	25	261	76	48
58	199	194	71	25	261	76	48
70	235	224	85	45	305	95	59
75	243	224	89	45	305	95	59
83	261	224	101	45	305	95	59



Without manual override

With butt fusion spigots



Inch	Cv-value [gal/min]	psi	D [mm]	H [mm]	H1 [mm]	H2 [mm]	H4 [mm]	H5 [mm]
20	12.9	150	50	167	27	62	40	97
25	24.5	150	58	176	30	71	40	97
32	49.0	150	68	176	36	71	40	97
40	70.0	150	84	210	44	84	51	115
50	112.0	150	97	210	51	84	51	115
63	217.0	150	124	232	64	106	51	115

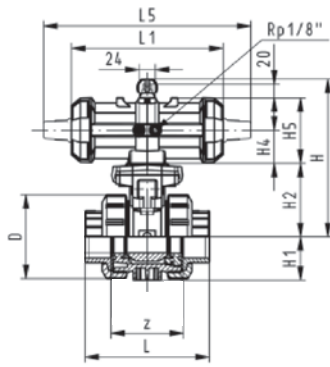
L [mm]	L1 [mm]	L2 [mm]	L4 [mm]	L5 [mm]	L6 [mm]	L7 [mm]
174	194	56	25	261	76	48
189	194	65	25	261	76	48
199	194	71	25	261	76	48
235	224	85	45	305	95	59
243	224	89	45	305	95	59
261	224	101	45	305	95	59

With fusion sockets metric

Inch	Cv-value [gal/min]	psi	D [mm]	H [mm]	H1 [mm]	H2 [mm]	H4 [mm]	H5 [mm]
16	4.9	150	50	167	27	62	40	97
20	12.9	150	50	167	27	62	40	97
25	24.5	150	58	176	30	71	40	97
32	49.0	150	68	176	36	71	40	97
40	70.0	150	84	210	44	84	51	115
50	112.0	150	97	210	51	84	51	115
63	217.0	150	124	232	64	106	51	115

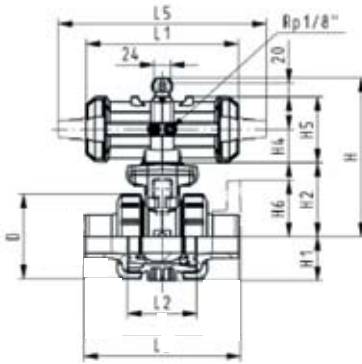
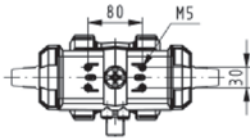
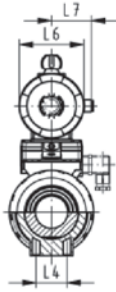
L [mm]	L1 [mm]	L4 [mm]	L5 [mm]	L6 [mm]	L7 [mm]	z [mm]
92	194	25	261	76	48	64
95	194	25	261	76	48	64
110	194	25	261	76	48	72
123	194	25	261	76	48	79
164	224	45	305	95	59	94
157	224	45	305	95	59	95
183	224	45	305	95	59	107

With threaded NPT



Inch	Cv-value [gal/min]	psi	D [mm]	H [mm]	H1 [mm]	H2 [mm]	H4 [mm]	H5 [mm]
3/8	4.9	150	50	167	27	62	40	97
1/2	12.9	150	50	167	27	62	40	97
3/4	24.5	150	58	176	30	71	40	97
1	49.0	150	68	176	36	71	40	97
1 1/4	70.0	150	84	210	44	84	51	115
1 1/2	112.0	150	97	210	51	84	51	115
2	217.0	150	124	232	64	106	51	115

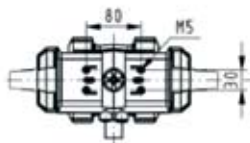
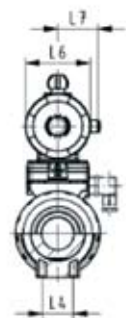
L [mm]	L1 [mm]	L4 [mm]	L5 [mm]	L6 [mm]	L7 [mm]	z [mm]
96	194	25	261	76	48	64
99	194	25	261	76	48	64
111	194	25	261	76	48	72
127	194	25	261	76	48	79
146	224	45	305	95	59	94
157	224	45	305	95	59	95
183	224	45	305	95	59	107



With flanges ANSI

Inch	Cv-value [gal/min]	psi	D [mm]	H [mm]	H1 [mm]	H2 [mm]	H4 [mm]	H5 [mm]
1/2	12.9	150	50	167	27	62	40	97
3/4	24.5	150	58	176	30	71	40	97
1	49.0	150	68	176	36	71	40	97
1 1/4	70.0	150	84	210	44	84	51	115
1 1/2	112.0	150	97	210	51	84	51	115
2	217.0	150	124	232	64	106	51	115

L [mm]	L1 [mm]	L4 [mm]	L5 [mm]	L6 [mm]	L7 [mm]
174	194	25	261	76	48
189	194	25	261	76	48
199	1194	25	261	76	48
235	224	45	305	95	59
243	224	45	305	95	59
261	224	45	305	95	59



GF Piping Systems → worldwide at home

Our sales companies and representatives ensure local customer support in over 100 countries.

www.piping.georgfischer.com



The technical data is not binding. They neither constitute expressly warranted characteristics nor guaranteed properties nor a guaranteed durability. They are subject to modification. Our General Terms of Sale apply.

Adding Quality to People's Lives

Australia

George Fischer Pty Ltd
Riverwood NSW 2210 Australia
Phone +61(0)2 9502 8000
australia.ps@georgfischer.com
www.georgfischer.com.au

Austria

Georg Fischer
Rohrleitungssysteme GmbH
3130 Herzogenburg
Phone +43(0)2782 856 43-0
austria.ps@georgfischer.com
www.georgfischer.at

Belgium/Luxembourg

Georg Fischer NV/SA
1070 Bruxelles/Brüssel
Phone +32(0)2 556 40 20
be.ps@georgfischer.com
www.georgfischer.be

Brazil

George Fischer Ltda
04795-100 São Paulo
Phone +55(0)11 5687 1311
br.ps@georgfischer.com

Canada

Georg Fischer Piping Systems Ltd
Brampton, ON L6T 4E3
Phone +1(905) 792-8005
ca.ps@georgfischer.com
www.gf.piping.ca

China

Georg Fischer
Piping Systems Ltd Shanghai
Pudong, Shanghai 201319
Phone +86(0)21 58 13 33 33
china.ps@georgfischer.com
www.cn.piping.georgfischer.com

Denmark/Iceland

Georg Fischer A/S
2630 Taastrup
Phone +45 (0)70 22 19 75
info.dk.ps@georgfischer.com
www.georgfischer.dk

France

Georg Fischer SAS
95932 Roissy Charles de Gaulle Cedex
Phone +33(0)1 41 84 68 84
fr.ps@georgfischer.com
www.georgfischer.fr

Germany

Georg Fischer GmbH
73095 Albershausen
Phone +49(0)7161 302-0
info.de.ps@georgfischer.com
www.georgfischer.de

India

Georg Fischer Piping Systems Ltd
400 076 Mumbai
Phone +91 224007 2001
in.ps@georgfischer.com
www.georgfischer.in

Italy

Georg Fischer S.p.A.
20063 Cernusco S/N (MI)
Phone +3902 921 861
it.ps@georgfischer.com
www.georgfischer.it

Japan

Georg Fischer Ltd
556-0011 Osaka,
Phone +81(0)6 6635 2691
jp.ps@georgfischer.com
www.georgfischer.jp

Korea

Georg Fischer Piping Systems
Guro-3 dong, Guro-gu, Seoul, Korea
Phone +82(0)2 2081 1450
Fax +82(0)2 2081 1453
kor.ps@georgfischer.com

Malaysia

Georg Fischer (M) Sdn. Bhd.
40460 Shah Alam, Selangor
Phone +60 (0)3 5122 5585
conne.kong@georgfischer.com

Mexico

Georg Fischer S.A. de C.V.
Apodaca, Nuevo Leon
CP66636 Mexico
Phone +52 (81)1340 8586
Fax +52 (81)1522 8906

Middle East

Georg Fischer Piping Systems
Dubai, United Arab Emirates
Phone +971 4 289 49 60
info.export@georgfischer.com
www.export.georgfischer.com

Netherlands

Georg Fischer N.V.
8161 PA Epe
Phone +31(0)578 678 222
nl.ps@georgfischer.com
www.georgfischer.nl

Norway

Georg Fischer AS
1351 Rud
Phone +47(0)67 18 29 00
no.ps@georgfischer.com
www.georgfischer.no

Poland

Georg Fischer Sp. z o.o.
02-226 Warszawa
Phone +48(0)22 313 10 50
poland.ps@georgfischer.com
www.georgfischer.pl

Romania

Georg Fischer
Piping Systems Ltd
020257 Bucharest - Sector 2
Phone +40(0)21 230 53 80
ro.ps@georgfischer.com
www.export.georgfischer.com

Russia

Georg Fischer Piping Systems
Moscow 125047
Tel. +7 495 258 60 80
ru.ps@georgfischer.com
www.georgfischer.ru

Singapore

George Fischer Pte Ltd
528 872 Singapore
Phone +65(0)67 47 06 11
spp.ps@georgfischer.com
www.georgfischer.com.sg

Spain/Portugal

Georg Fischer S.A.
28046 Madrid
Phone +34(0)91 781 98 90
es.ps@georgfischer.com
www.georgfischer.es

Sweden/Finland

Georg Fischer AB
12523 Älvsjö-Stockholm
Phone +46(0)8 506 775 00
info.se.ps@georgfischer.com
www.georgfischer.se

Switzerland

Georg Fischer
Rohrleitungssysteme (Schweiz) AG
8201 Schaffhausen
Phone +41(0)52 631 30 26
ch.ps@georgfischer.com
www.piping.georgfischer.ch

Taiwan

Georg Fischer Piping Systems
San Chung City, Taipei Hsien
Phone +886 2 8512 2822
Fax +886 2 8512 2823

United Kingdom/Ireland

George Fischer Sales Limited
Coventry, CV2 2ST
Phone +44(0)2476 535 535
uk.ps@georgfischer.com
www.georgfischer.co.uk

USA/Latin America/Caribbean

Georg Fischer LLC
Tustin, CA 92780-7258
Phone +1(714) 731 88 00
Toll Free 800 854 40 90
us.ps@georgfischer.com
www.us.piping.georgfischer.com