



The Guided Float Switch is designed for economical control of liquids in tanks. The switch is remarkable for its maintenance-free compact design and reed contacts with high switch capacity. It can easily be installed in water applications as well as in chemical applications.

The encapsulated reed contact is operated by the magnet. The switching function (N/O contact/N/C contact) is determined by the installation position. The switching function is reserved by simply rotating the switch through 180 °.

Features

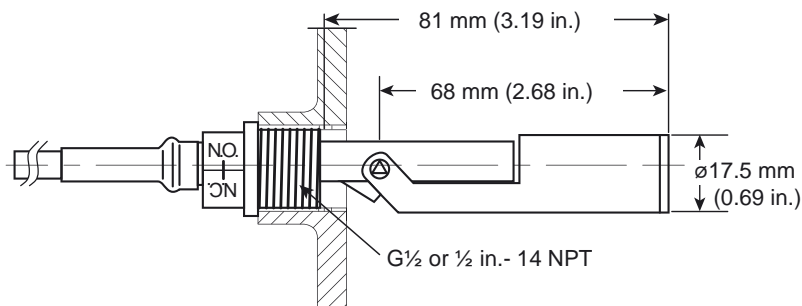
- Optimized chemical compatibility
- Very compact design
- PP and PVDF version available
- For small tanks

CE RoHS

Applications

- Cooling Water
- Demineralized Water
- Water/Glycol Solutions
- Chemicals

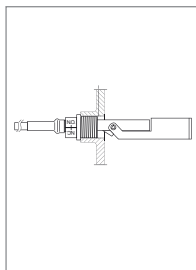
Dimensions



Specifications

General	
Type	2282-Y-YY-Y
Environmental	
Max. Temperature	-65 °C ... +100 °C (-85 °F... +212 °F)
Max. Pressure	1 MPa (10 bar) 145 psi
Medium Density	>0.6 g/cm ³
Enclosure	
Enclosure/float material	PP or PVDF
Cable material	PVC
Ingress Protection	IP68, NEMA 6P
Process Connection	1/2" BSP, NPT
Electrical	
Outputs	Reed contact
Contact Resistance	max. 80 mΩ
Max. Voltage rating	230 V AC/DC
Max. Current rating	2 A / 40 VA
Cable Type	AWG 20, 2-Core, PVC, 1 m
Contact components	N/O or N/C depending on the installation

Ordering Information



Mfr. Part No.	Code	Description
Versions with BSP thread		
2282-P-6OB	159 300 261	PP body, cable, 1/2" BSP
2282-P-6OB	159 300 263	PVDF body, cable, 1/2" BSP
Versions with NPT thread		
2282-P-6CN	159 300 265	PP body, cable, 1/2" NPT
2282-V-6CN	159 300 267	PVDF body, cable, 1/2" NPT