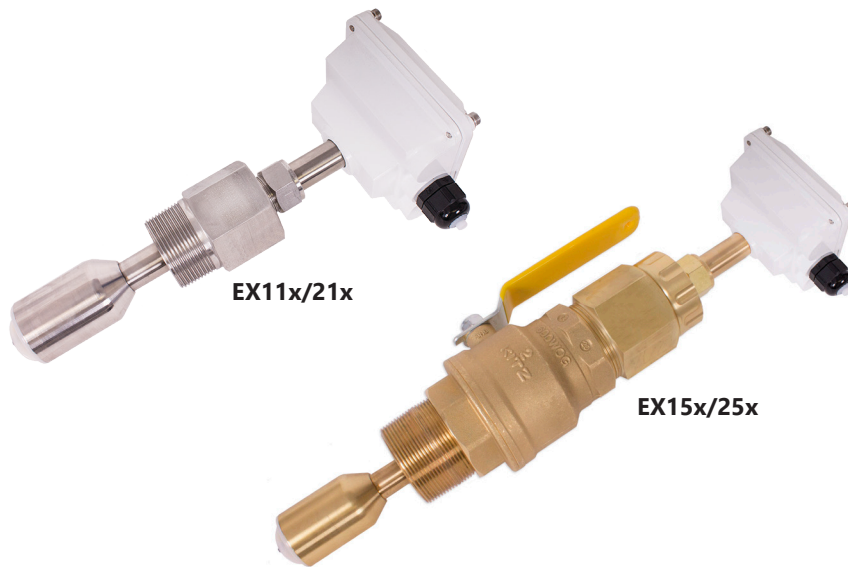


# EX100/200-SERIES

## INSERTION ELECTROMAGNETIC FLOW SENSOR



### APPLICATIONS

3" - 48" pipe (up to 72" optional)  
Clean or "dirty" liquids  
Conductive liquids  
Municipal  
Industrial  
Irrigation

### Features

- No moving parts
- Durable
- Adjustable depth
- Hot-tap available
- Brass or stainless steel
- Immersibility available
- Reverse flow output available

The **EX100/200-Series** are adjustable depth insertion magmeters that fit 3" to 48" pipe (up to 72" optional). The complete lack of moving parts of the EX100/200-Series is the source of its reliability. Brass and stainless steel models withstand a variety of temperature, pressure, and chemical conditions. The EX-Series has no rotor to stop turning in dirty water and there are no bearings to wear out. Like all magmeters, when used in chemical injection applications, these meters should be installed upstream of the chemical line (or far enough downstream to allow complete mixing of fluids before the meter). Adapters mate with standard 1-1/2" (11x/21x) or 2" (15x/25x) FNPT threaded fittings such as saddles and weldolets which may be purchased either locally or from Seametrics.

A rapidly reversing magnetic field is produced in the lower housing. As the fluid moves through this field, a voltage is generated that is measured and translated into a frequency signal proportional to flow rate. This square wave signal can be sent directly to a PLC or other control or can be converted using any of the Seametrics family of indicators and converters. A modular system of electronics can be installed directly on the flow sensor or mounted remotely. The FT430 (externally powered with pulse) and the FT440 (loop powered), both provide digital rate and total displays, as well as a programmable pulse; the FT440 also provides a 4-20 mA analog output. Built-in data logging is available as an option for secure flow logging.

### Contact Your Supplier

The "hot-tap" models (EX15x/25x) can be installed or serviced without shutting down the line by means of a 2" full-port isolation valve that comes with a nipple for installation on the pipe fitting; a bronze ball valve is standard, with a 316 stainless steel valve option if needed. In most circumstances, no special tool is required.

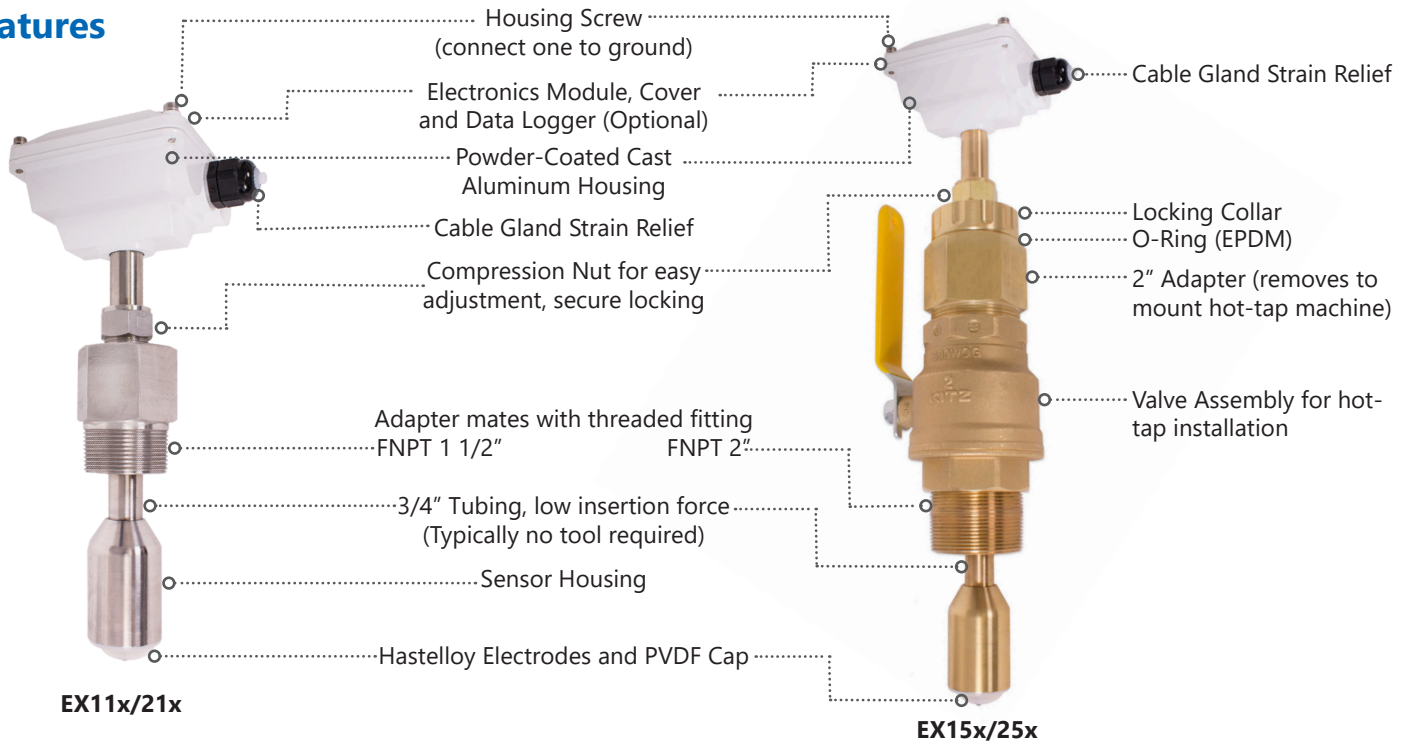
Reverse flow output and immersibility are optional.



**EX100/200-SERIES**  
**INSERTION ELECTROMAGNETIC**  
**FLOW SENSOR**



**Features**

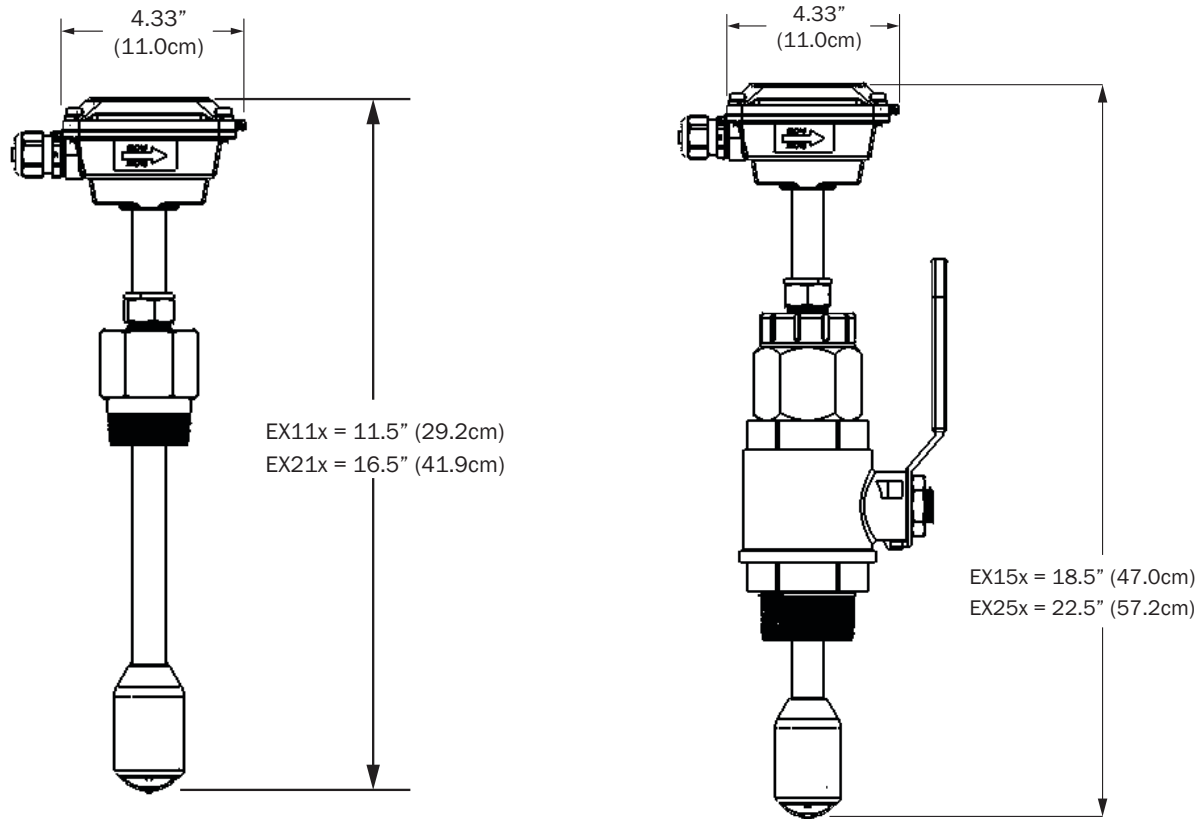


**Specifications\***

<b>Pipe Size</b>	3" to 48" (up to 72" optional)	
<b>Power</b>	<b>Full Power:</b> 12 - 24 Vdc, 250mA	<b>Low Power:</b> 12 - 24 Vdc, 40mA average with 250mA peaks
<b>Materials</b>	<b>Housing</b>	Powder-coated cast aluminum
	<b>Tubing/Fitting/Sensor Housing</b>	Brass or 316 Stainless Steel
	<b>Electrodes</b>	Hastelloy
	<b>Electrode Cap</b>	PVDF
	<b>O-Ring (15x/25x only)</b>	EPDM
	<b>Valve Assembly (15x/25x only)</b>	Bronze (stainless optional) with bronze ball valve
<b>Fitting Size Required</b>	<b>11x/21x:</b> 1.5" FNPT	<b>15x/25x:</b> 2" FNPT
<b>Maximum Pressure</b>	200 psi (14 bar)	
<b>Temperature</b>	<b>Ambient</b>	0° to 160° F (-17° to 72° C)
	<b>Fluid</b>	32° to 200° F (0° to 93° C)
<b>Minimum Conductivity</b>	20 microSiemens/cm	
<b>Flow Velocity</b>	0.28 - 20 ft/sec (0.08 - 6.09 m/sec)	
<b>Accuracy</b>	± 1% of full scale	
<b>Output</b>	Square wave pulse, opto-isolated, 500 Hz @ 20 ft/sec 6 mA max, 30Vdc forward flow standard; reverse flow optional	
<b>Empty Pipe Detection</b>	Software, defaults to zero flow	
<b>Cable</b>	Standard 18' (6m), #22 shielded twisted pair, 4-conn. Max. cable run at 24 Vdc = 1000' (300m); at 12 Vdc = 500' (150m). For other circumstances, contact the factory.	
<b>Environmental</b>	See meter mounted electronic specification for rating.	
<b>Regulatory</b>	CE Mark (applies to full power sensor only configuration and full power FT 430/440 mounted configurations). Certified to NSF/ANSI standard 61 and NSF 372 (Stainless only)	

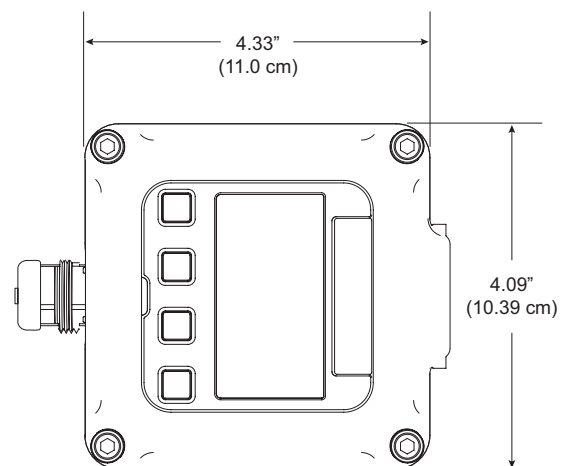
\*Specifications subject to change • Please consult our website for current data ([www.seametrics.com](http://www.seametrics.com)).

## Dimensions



## Flow Range

Flow Range (GPM)		
Nominal Pipe Size	Minimum Flow	Maximum Flow
3	6	440
4	11	783
6	25	1,762
8	44	3,133
10	69	4,895
12	99	7,050
14	134	9,596
16	175	12,533
18	222	15,863
20	274	19,584
24	395	28,200
30	617	44,064
36	888	63,452
48	1,580	112,804



**EX100/200-SERIES**  
**INSERTION ELECTROMAGNETIC**  
**FLOW SENSOR**



**How to Order**

	Description	Size	Sensor Material	Options (110/210)	Options (150/250)
<b>Sensor Only</b>	Externally powered (12 - 24Vdc) sensor only.	3" - 10" pipe = EX110 10" - 48" pipe = EX210	Brass = B 316 Stainless = S	Brass Adapter Fitting 2" NPT = -02 SS Adapter Fitting 2" NPT = -02 Reverse Flow Output = -15 Old Style Adaptor 1-1/2" NPT = -35 *Immersible = -40 Low Power = -50 12" Extension (200 Series Only) = -72	316 SS Valve Assembly = -08 No Valve Assembly = -09 316 SS Valve Assembly = -08 Reverse Flow Output = -15 *Immersible = -40 Low Power = -50 12" Extension (200 Series Only) = -72
	Hot Tap 3" - 10" pipe = EX150 10" - 48" pipe = EX250				
<b>FT430 Mounted on Sensor</b>	Externally powered sensor (12 - 24Vdc) with FT430 rate and total indicator (with pulse outputs) mounted on the sensor.	3" - 10" pipe = EX113 10" - 48" pipe = EX213	Brass = B 316 Stainless = S	Brass Adapter Fitting 2" NPT = -02 SS Adapter Fitting 2" NPT = -02 Reverse Flow Output = -15 Tamper Evident Kit = -32 Old Style Adaptor 1-1/2" NPT = -35 Low Power = -50 Non-resettable Total = -64 12" Extension (200 Series Only) = -72 Hinged Display Cover = -126	316 SS Valve Assembly = -08 No Valve Assembly = -09 Reverse Flow Output = -15 Tamper Evident Kit = -32 Non-resettable Total = -64 12" Extension (200 Series Only) = -72 Dual Relay Output = -98 Hinged Display Cover = -126 Internal Data Logger = -127
	Hot Tap 3" - 10" pipe = EX153 10" - 48" pipe = EX253				
<b>DL76 Mounted on Sensor<sup>2</sup></b>	Externally powered sensor (12 - 24Vdc) with self powered DL76 data logger mounted on the sensor.	3" - 10" pipe = EX116 10" - 48" pipe = EX216	Brass = B 316 Stainless = S	Brass Adapter Fitting 2" NPT = -02 SS Adapter Fitting 2" NPT = -02 Reverse Flow Output = -15 Tamper Evident Kit = -32 Old Style Adaptor 1-1/2" NPT = -35 Low Power = -50 12" Extension (200 Series Only) = -72	316 SS Valve Assembly = -08 No Valve Assembly = -09 Reverse Flow Output = -15 Tamper Evident Kit = -32 Low Power = -50 12" Extension (200 Series Only) = -72
	Hot Tap 3" - 10" pipe = EX156 10" - 48" pipe = EX256				
<b>FT440 Mounted on Sensor<sup>1</sup></b>	Externally powered sensor (12 - 24Vdc) with FT440 rate and total indicator (with pulse and 4-20mA outputs) mounted on the sensor.	3" - 10" pipe = EX119 10" - 48" pipe = EX219	Brass = B 316 Stainless = S	Brass Adapter Fitting 2" NPT = -02 SS Adapter Fitting 2" NPT = -02 Reverse Flow Output = -15 Tamper Evident Kit = -32 Old Style Adaptor 1-1/2" NPT = -35 Low Power = -50 Non-resettable Total = -64 12" Extension (200 Series Only) = -72 Hinged Display Cover = -126	316 SS Valve Assembly = -08 No Valve Assembly = -09 Reverse Flow Output = -15 Tamper Evident Kit = -32 Non-resettable Total = -64 12" Extension (200 Series Only) = -72 Dual Relay Output = -98 Hinged Display Cover = -126 Internal Data Logger = -127
	Hot Tap 3" - 10" pipe = EX159 10" - 48" pipe = EX259				

\* Immersible to maximum of 3 ft (1m), up to 2 weeks

<sup>1</sup> When ordering an EX with an FT440 mounted, the EX sensor cannot be loop powered.

<sup>2</sup> DL76 configured units will be retired 12/31/2020

User is responsible for reviewing end use application with their supplier for product suitability.