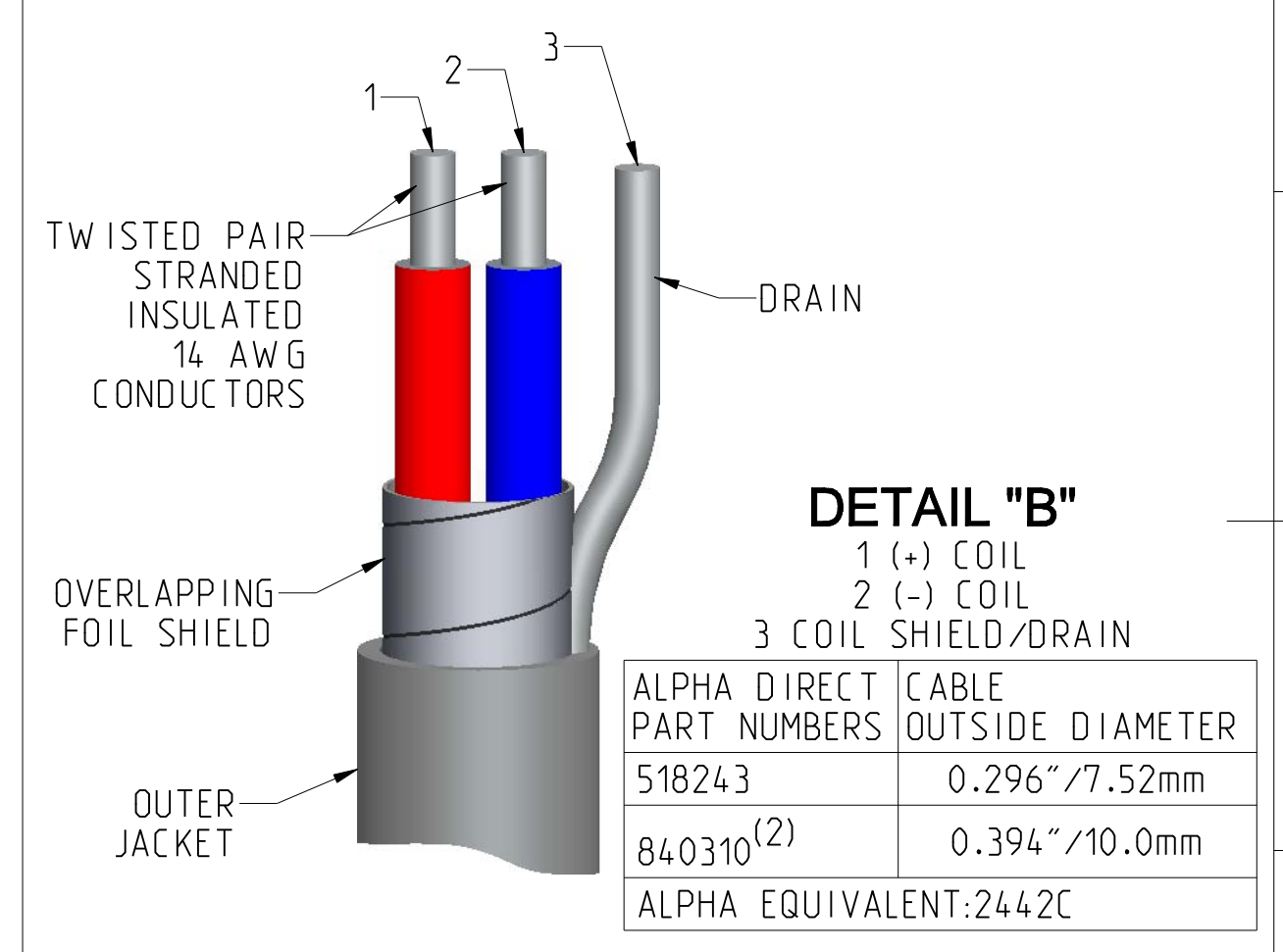
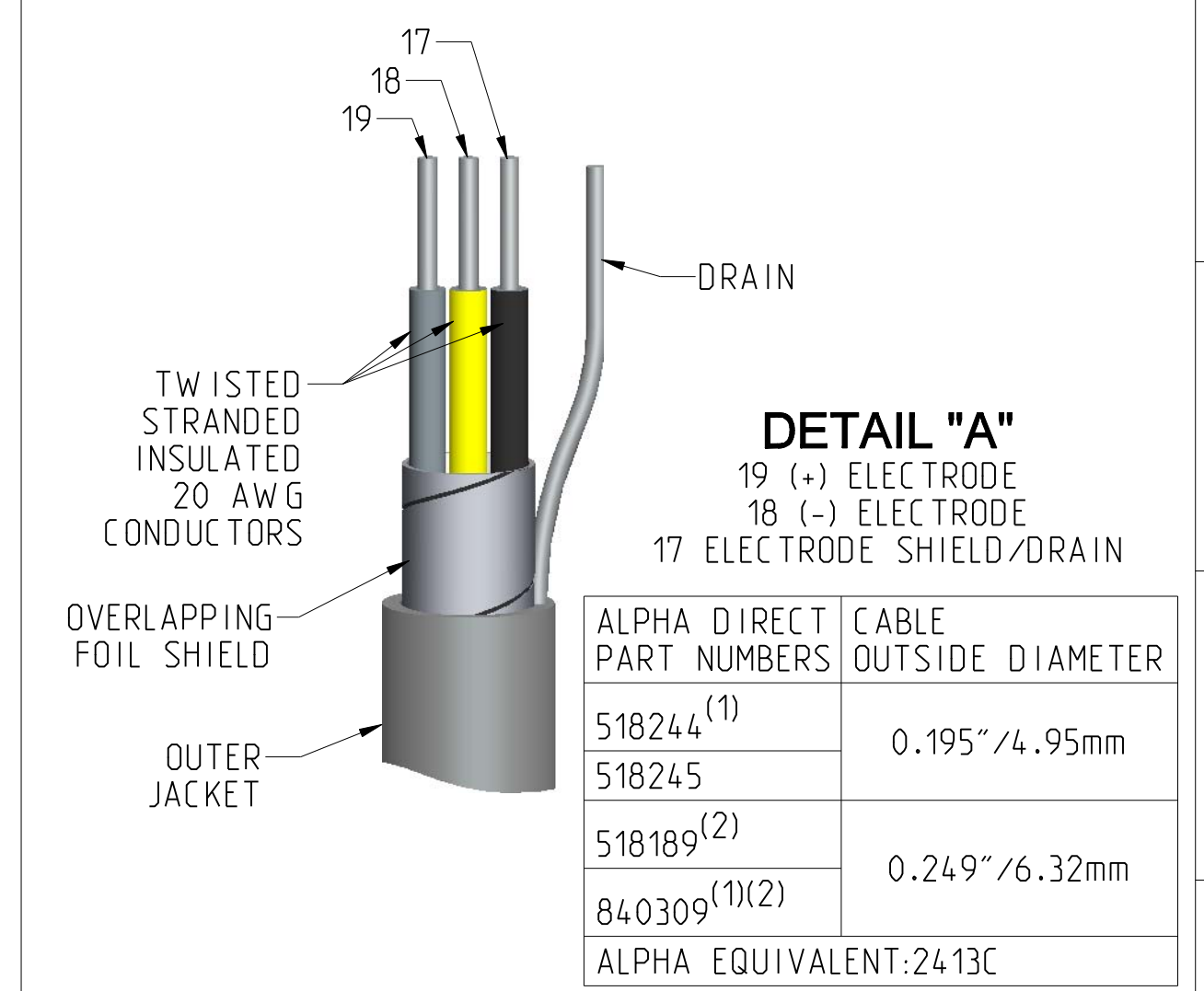
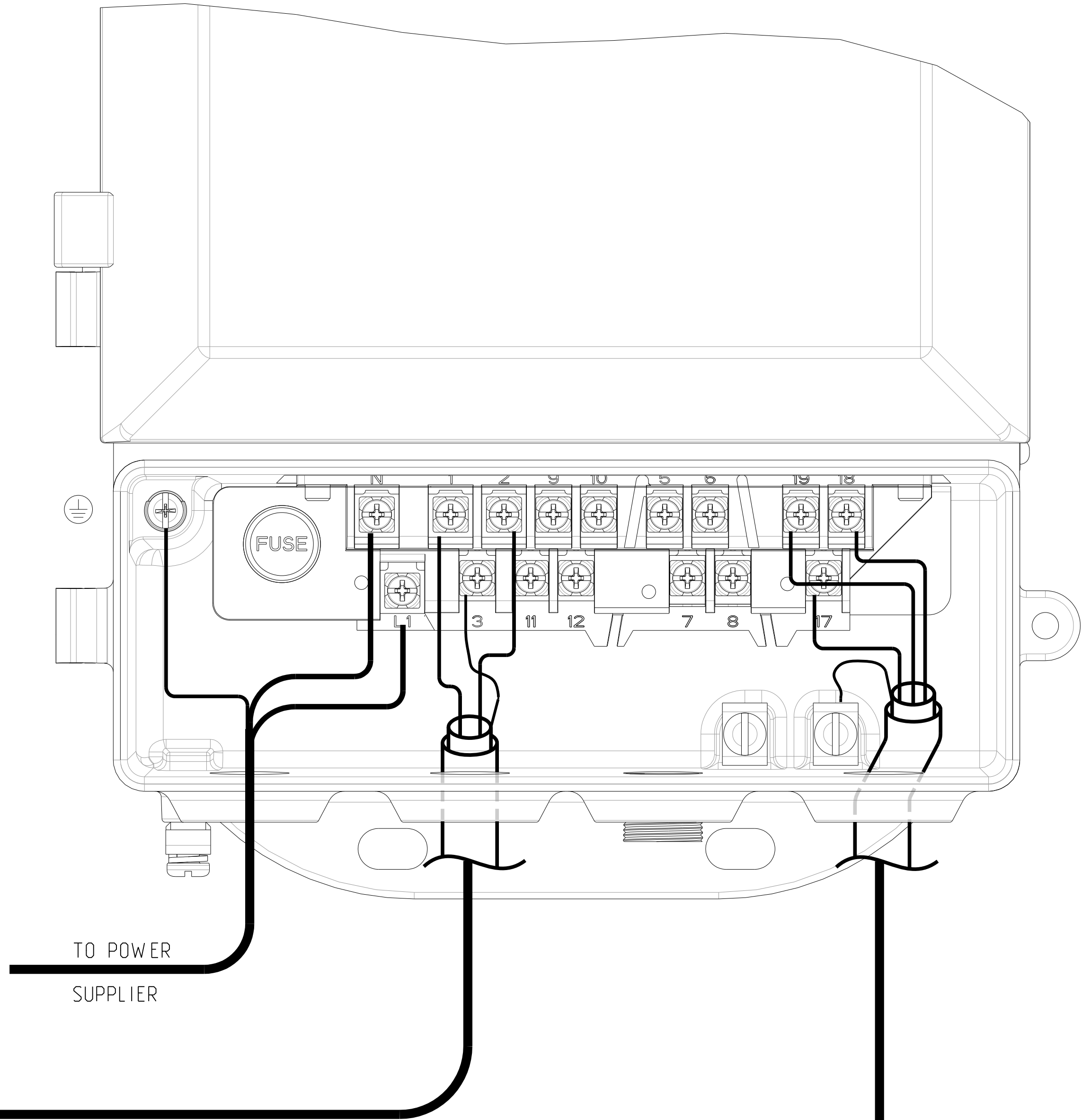
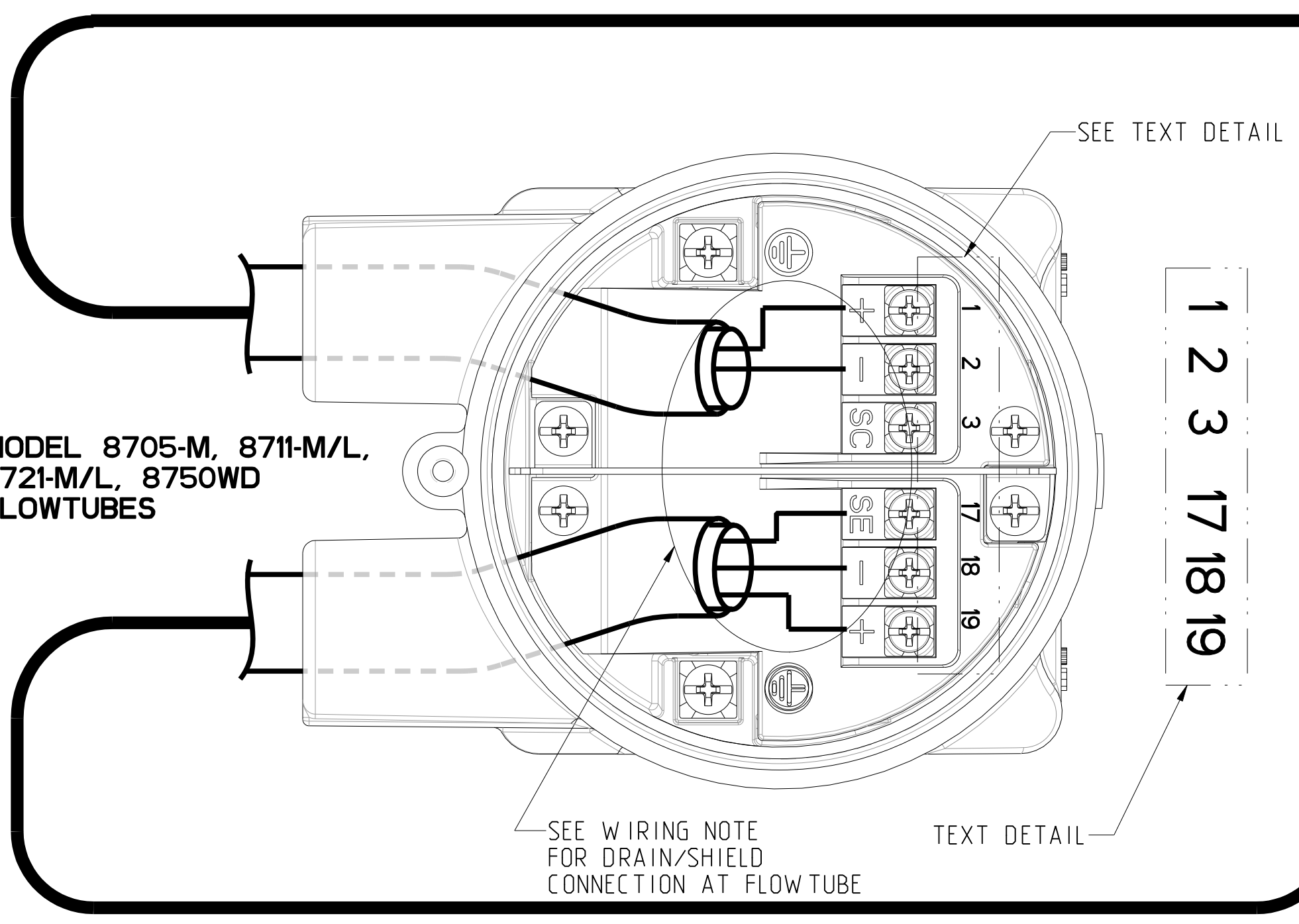
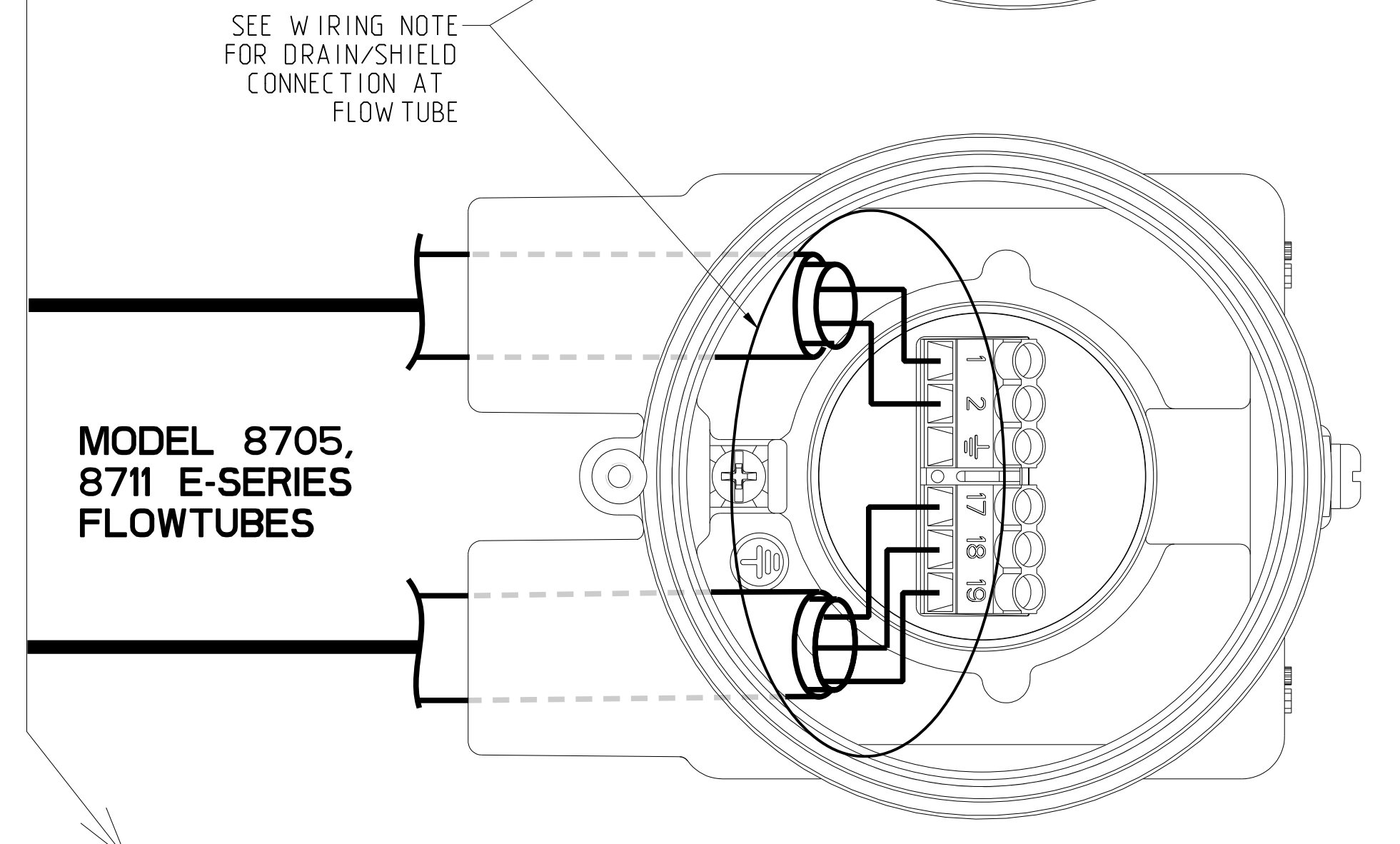
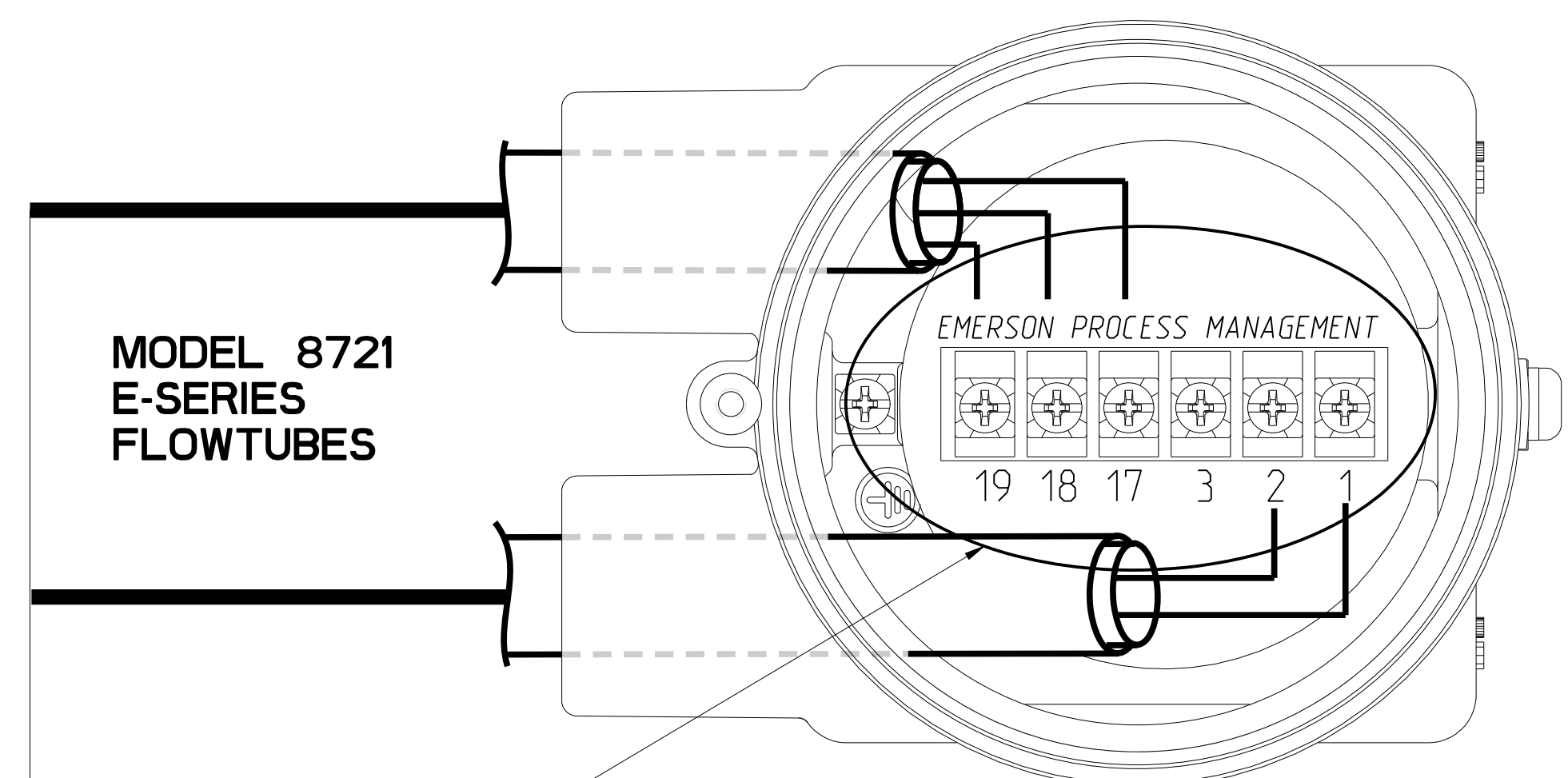


THIS SHEET FOR 8712EM OR 8750WDM TRANSMITTER WIRING USING COMPONENT CABLES

REVISION TABLE			
REVISION	ECO NO.	APP'D	DATE
AD	1086590	PMK	7/17/18
DESCRIPTION			
ADD FIELDBUS TO OUTPUT TABLE SHEETS 1 AND 2			



8712EM WIRING DIAGRAM

TERMINAL	DESCRIPTION	TERMINAL	DESCRIPTION
N / L2	- DC. AC	7	SEE OUTPUT DETAIL
L1	+ DC. AC	8	SEE OUTPUT DETAIL
GRND	PS GROUND	9	+ DIGITAL IN/OUT 2
1	COIL POSITIVE	10	- DIGITAL IN/OUT 2
2	COIL NEGATIVE	11	+ DIGITAL IN/OUT 1
3	COIL SHIELD	12	- DIGITAL IN/OUT 1
5	+ PULSE	17	ELECTRODE REFERENCE
6	- PULSE	18	ELECTRODE NEGATIVE
-		19	ELECTRODE POSITIVE

OUTPUT DETAIL

OUTPUT	ANALOG.HART INTERNAL POWER	ANALOG.HART EXTERNAL POWER	MODBUS RS-485	FIELDBUS
7	-	+	A	C
8	+	-	B	

A REPLACE SAFETY COVER BEFORE USE.
 B DI/DO (IF ORDERED).
 C OUTPUT IS POLARITY INSENSITIVE.

WIRING NOTE
DRAIN/SHIELD OF COIL TERMINAL (SC, 3 OR TERMINAL GROUND) AND DRAIN/SHIELD OF ELECTRODE WIRING IS NOT CONNECTED ON FLOWTUBE END IN TYPICAL INSTALLATIONS.

AN ADDITIONAL CORRECTLY SIZED SAFETY EARTH CONDUCTOR WILL BE REQUIRED ON INSTALLATIONS REQUIRING SHIELDS GROUNDED TO CHASSIS/EARTH AT BOTH ENDS OF THE REMOTE CABLE. THERE MUST BE 1 OHM OR LESS OF RESISTANCE AT EACH END OF THE SAFETY GROUND AT THE DEVICE WITH RESPECT TO THE EARTH SAFETY GROUND.

SEE DETAIL "A" FOR ELECTRODE WIRE CONSTRUCTION
SEE DETAIL "B" FOR COIL DRIVE WIRE CONSTRUCTION

CABLE WIRING REQUIRE USING CABLE GLANDS INSTALLED IN HOUSING CONDUITS. UNUSED CONDUITS SHOULD BE CLOSED

TERMINAL NUMBER AND CONDUCTOR INSULATOR WIRE COLOR

ROSEMOUNT CABLING KITS 08732-0065-XXXX	ALPHA PART NUMBERS 518244, ⁽¹⁾ 518245 518189 ⁽²⁾ , 840309 ⁽¹⁾⁽²⁾	ALPHA PART NUMBERS 518243, 840310 ⁽²⁾
19 WHITE	19 WHITE	
18 YELLOW	18 YELLOW	
17 BLACK	17 BLACK	
1 RED	-	1 RED
2 BLUE	-	2 BLUE
3 DRAIN (SHIELD)	-	3 DRAIN (SHIELD)

NOTES:
STANDARD TEMPERATURE: RATED (-20°C TO 75°C)
(1) INTRINSICALLY SAFE, LIGHT BLUE JACKET
(2) EXTENDED TEMPERATURE (RATED -50°C TO 125°C)

CONFIDENTIAL AND PROPRIETARY INFORMATION IS CONTAINED HEREIN AND MUST BE HANDLED ACCORDINGLY. ROSEMOUNT

UNLESS OTHERWISE SPECIFIED DIMENSIONS IN INCHES (mm). REMOVE ALL BURRS AND SHARP EDGES.

FRAC TIONS ± 1/32 ANGLES ± 1°

DO NOT SCALE PRINT CAD MAINTAINED. (I/PROJ) PRODUCT CODE

SURFACE FINISH UNLESS OTHERWISE SPECIFIED 125° 3RD ANGLE

SIZE D SCALE - AD

ROSEMOUNT
8200 Market Boulevard - Chanhassen, MN 55317 USA

TITLE 8712EM OR 8750WDM TRANSMITTER WIRING. INSTALLATION DRAWING

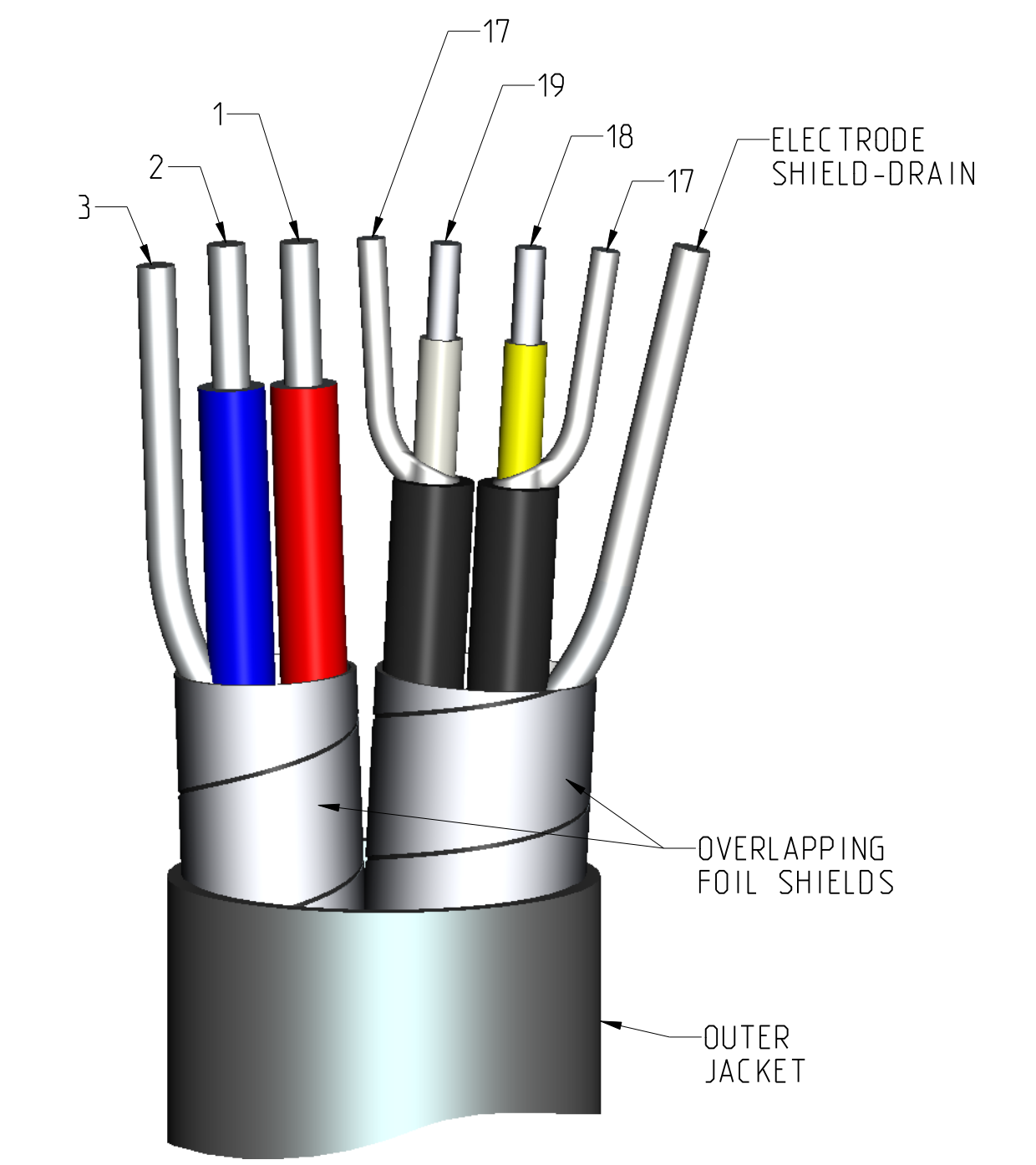
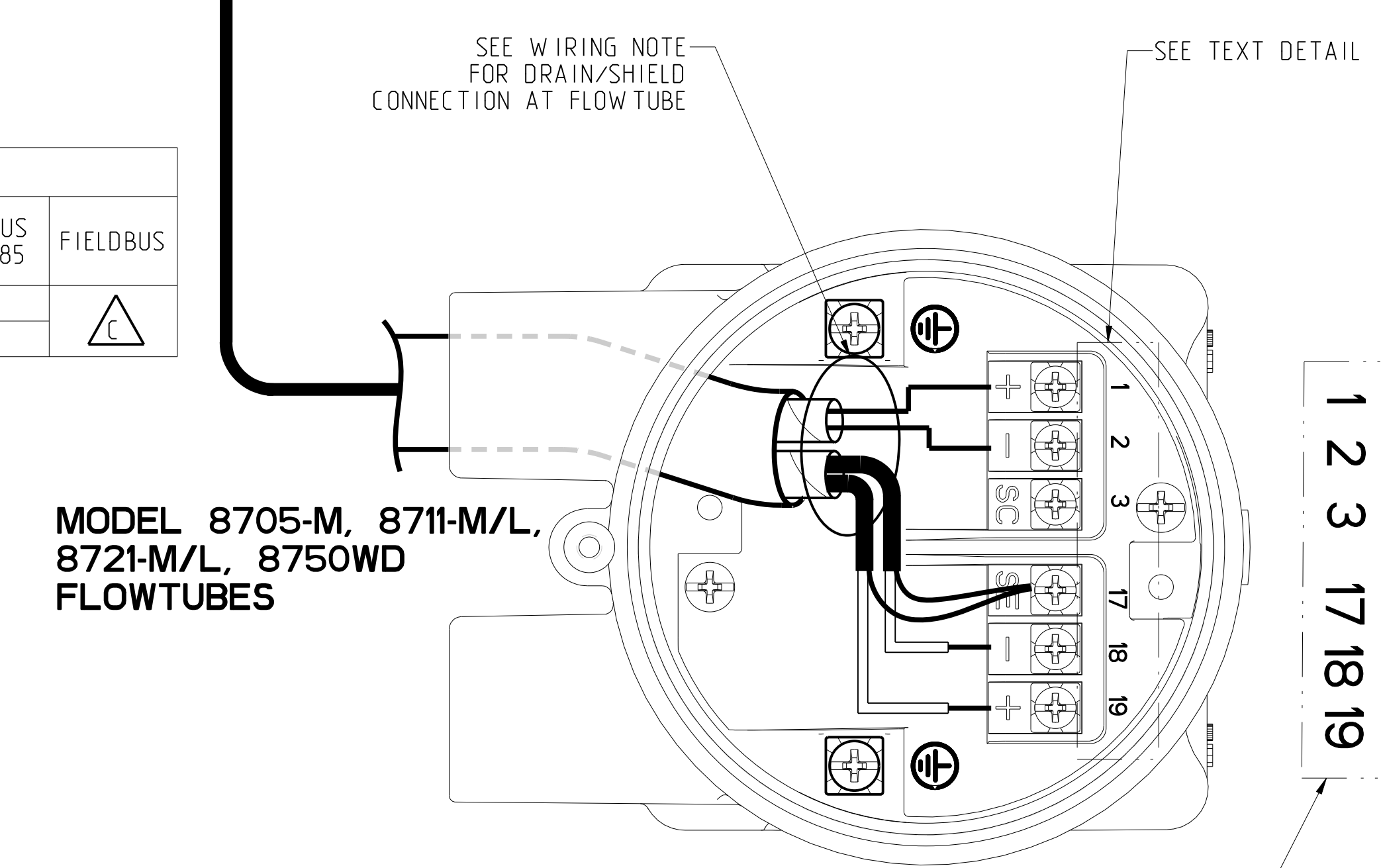
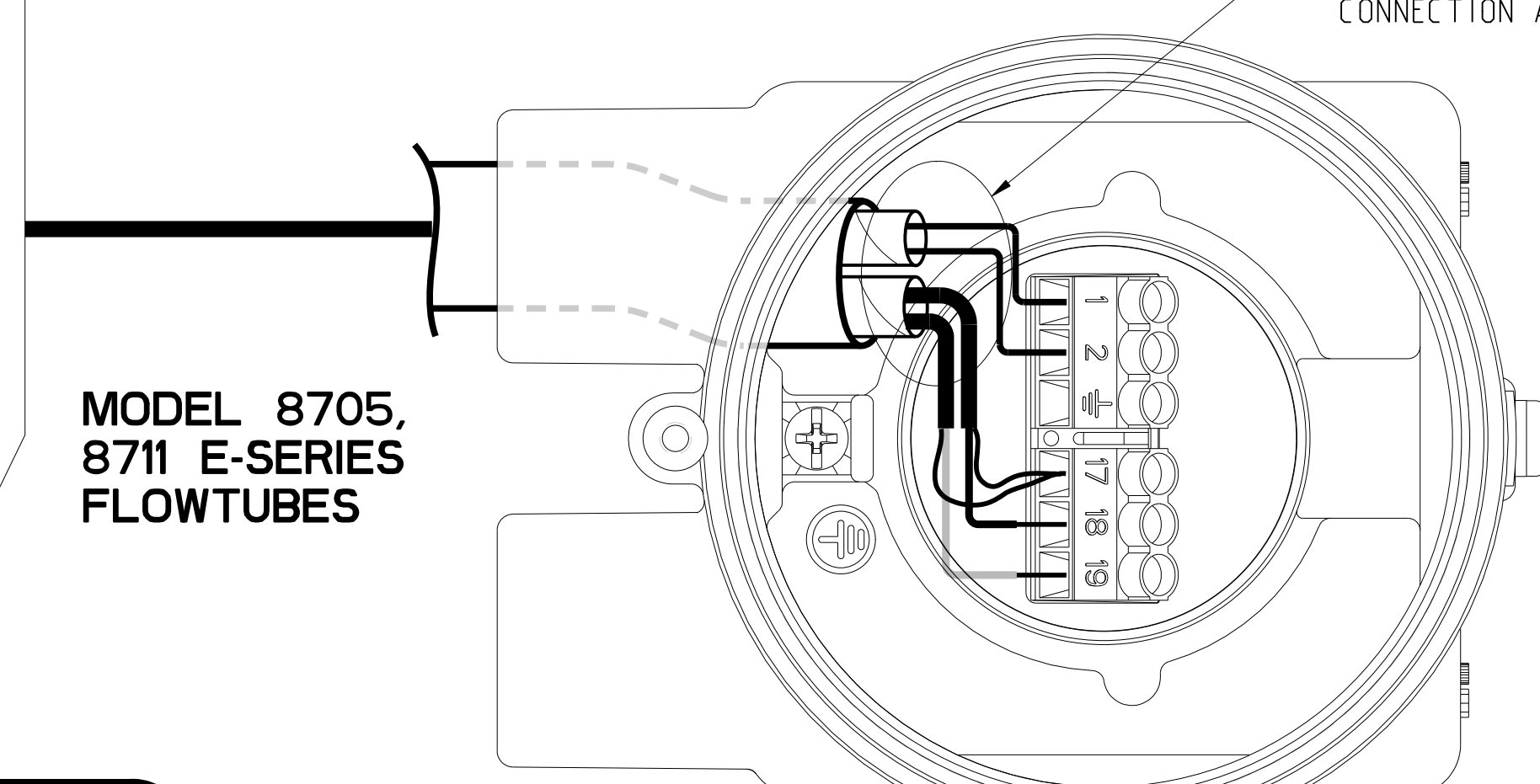
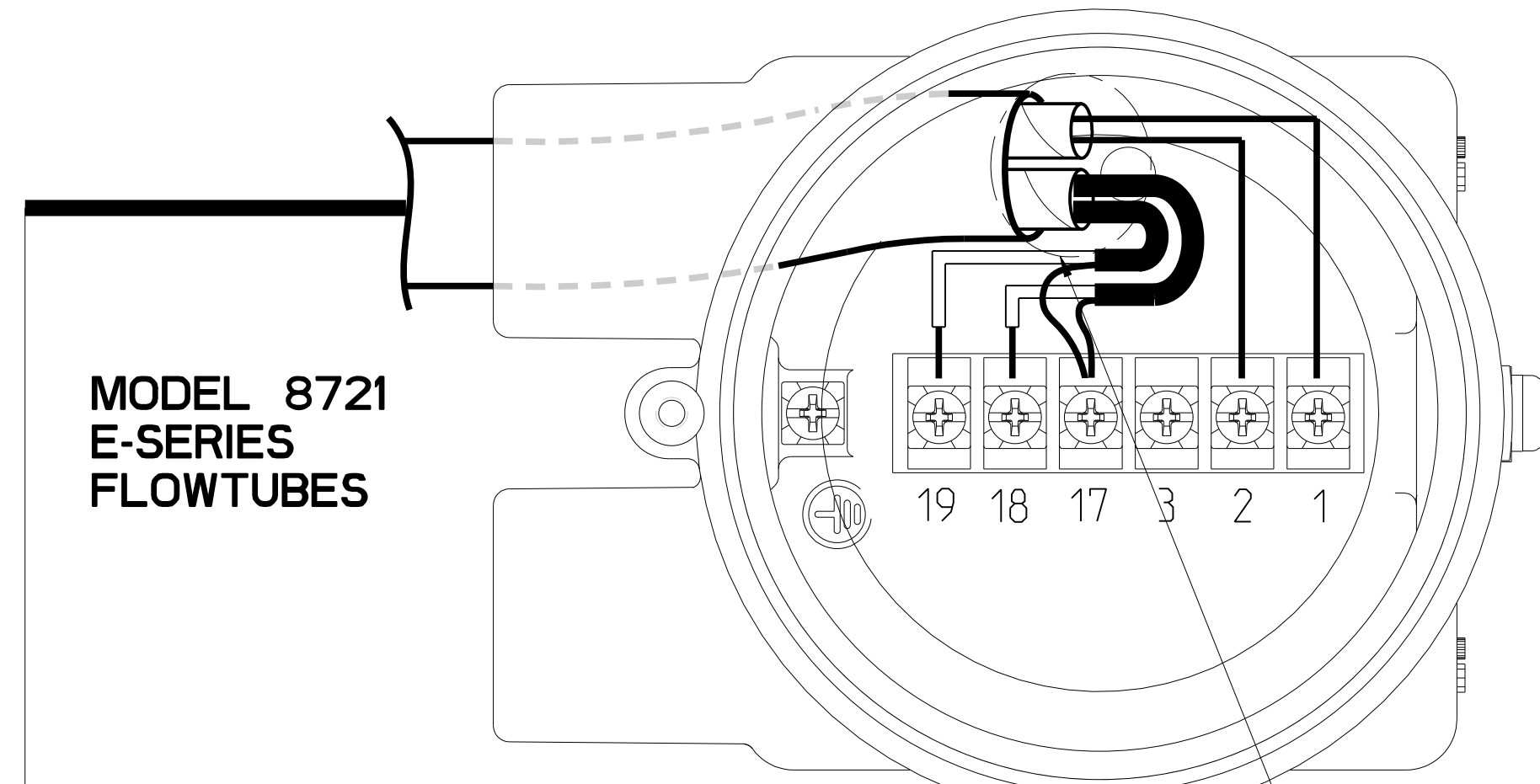
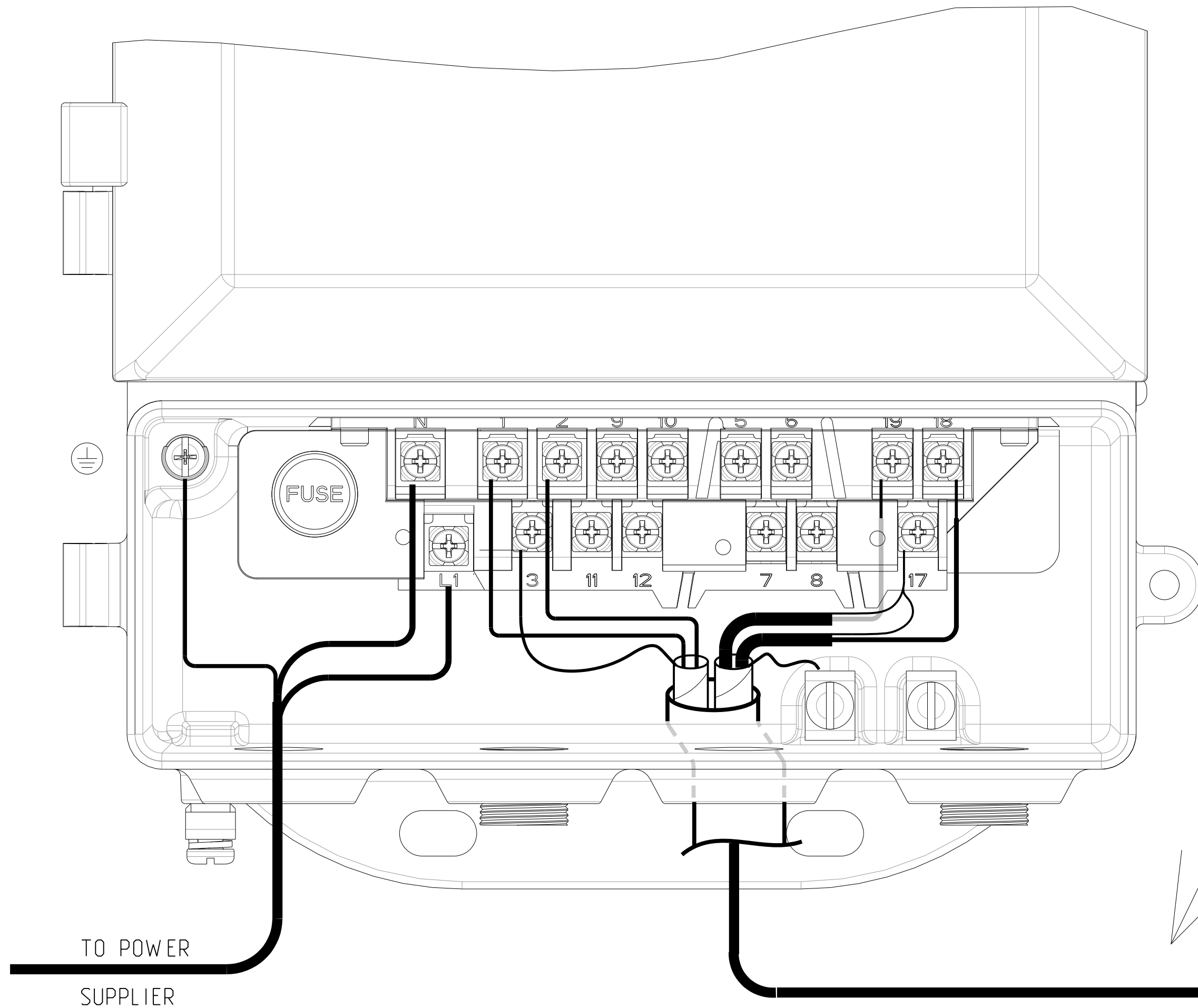
DR. K.KONYUKHOV JUN.2017 DRAWING NO. APP'D.M.MIKOLICHEK JUL.2017

08712-1504

DOC TYPE - SHEET 1 OF 2

DRAWING NO. 08712-1504

THIS SHEET FOR 8712EM OR 8750WDM TRANSMITTER WIRING
USING COMBINATION ELECTRODE AND COIL DRIVE CABLE



DETAIL "C"

TERMINAL	DESCRIPTION	TERMINAL	DESCRIPTION
N / L2	- DC, AC	7	SEE OUTPUT DETAIL
L1	+ DC, AC	8	SEE OUTPUT DETAIL
GRND	PS GROUND	9	+ DIGITAL IN/OUT 2
1	COIL POSITIVE	10	- DIGITAL IN/OUT 2
2	COIL NEGATIVE	11	+ DIGITAL IN/OUT 1
3	COIL SHIELD	12	- DIGITAL IN/OUT 1
5	+ PULSE	17	ELECTRODE REFERENCE
6	- PULSE	18	ELECTRODE NEGATIVE
-		19	ELECTRODE POSITIVE

OUTPUT	ANALOG.HART INTERNAL POWER	ANALOG.HART EXTERNAL POWER	MODBUS RS-485	FIELDBUS
7	-	+	A	C
8	+	-	B	

- A REPLACE SAFETY COVER BEFORE USE.
- B DI/DO (IF ORDERED).
- C OUTPUT IS POLARITY INSENSITIVE.

WIRING NOTE

DRAIN/SHIELD OF COIL TERMINAL (SC, 3 OR TERMINAL GROUND) AND DRAIN/SHIELD OF ELECTRODE WIRING IS NOT CONNECTED ON FLOWTUBE END IN TYPICAL INSTALLATIONS.

AN ADDITIONAL CORRECTLY SIZED SAFETY EARTH CONDUCTOR WILL BE REQUIRED ON INSTALLATIONS REQUIRING SHIELDS GROUNDED TO CHASSIS/EARTH AT BOTH ENDS OF THE REMOTE CABLE. THERE MUST BE 1 OHM OR LESS OF RESISTANCE AT EACH END OF THE SAFETY GROUND AT THE DEVICE WITH RESPECT TO THE EARTH SAFETY GROUND.

SEE DETAIL "C" FOR WIRE CONSTRUCTION

CABLE WIRING REQUIRE USING CABLE GLANDS INSTALLED IN HOUSING CONDUITS. UNUSED CONDUITS SHOULD BE CLOSED

TERMINAL NUMBER	CONDUCTOR INSULATOR WIRE COLOR
19	WHITE
18	YELLOW
17	BLACK
-	DRAIN (ELECTRODE SHIELD)
1	RED
2	BLUE
3	DRAIN (COIL SHIELD)

ROSEMOUNT COMBINATION COIL/ELECTRODE CABLE COLOR CODING PART NUMBERS

STANDARD 08732-0065-2001⁽¹⁾ (FEET)

STANDARD 08732-0065-2002⁽¹⁾ (METERS)

SUBMERSIBLE 08732-0065-3001⁽²⁾ (FEET)

SUBMERSIBLE 08732-0065-3002⁽²⁾ (METERS)

NOTES:
OUTSIDE DIAMETER OF ALL PART NUMBERS: 0.450"/11.43mm
JACKET COLOR/TEMPERATURE RATING
(1) GRAY - RATED -20°C TO 80°C
(2) BLACK - RATED -20°C TO 80°C DRY 60°C WET (SUBMERGED)

CONFIDENTIAL AND PROPRIETARY INFORMATION IS CONTAINED HEREIN AND MUST BE HANDLED ACCORDINGLY. ROSEMOUNT	SURFACE FINISH UNLESS OTHERWISE SPECIFIED 125/3RD ANGLE	SIZE D	SCALE 5/4	REV AD
EMERSON 8200 Market Boulevard - Chanhassen, MN 55317 USA				
TITLE 8712EM OR 8750WDM TRANSMITTER WIRING. INSTALLATION DRAWING				
UNLESS OTHERWISE SPECIFIED DIMENSIONS IN INCHES (mm). REMOVE ALL BURRS AND SHARP EDGES.				
.X ± .1 (2.5)	.XX ± .02 (0.5)	.XXX ± .010 (0.25)	FRACTIONS ± 1/32	
DO NOT SCALE PRINT CAD MAINTAINED, (PROJ) PRODUCT CODE DOC TYPE - SHEET 2 OF 2				

DRAWING NO. 08712-1504